

Project Name:	Type:
Part Number:	Date:

SPECFIT 6" SQUARE

SPECIFICATION FEATURES

- **Mechanical** - SPECFIT retrofits existing commercial housings. Spring action clips to accommodate 1/2" to 2" ceiling thicknesses. Fixture with remote driver installs and is accessible from below the ceiling.
- **Electrical** - Standard driver option is 120-277V, 50/60 Hz with three selectable lumen outputs using SelectDrive technology. 0-10V dimmable to 5% with low end cutoff. 12V auxiliary port with stand by power functionality for additional dimming and control of field installed sensors and control systems. Additional driver selections include a 120V line voltage forward and reverse phase dimming option down to 5%, Lutron Ecosystem 1% dimming driver options and a Philips EasySense sensor compatible driver option.
- **Optical** - Self-flanged plated polycarbonate reflector. 40° optical cutoff. Field interchangeable optical lenses. Five beam distributions range from 15° to 75°. Wall wash field installed accessory. COB LED binned to 3-step SDCM to ensure color uniformity in 2700K, 3000K, 3500K, 4000K or 5000K CCT. Minimum 90 CRI. 97 CRI with TRUE CHROMA available in 3000K only.
- **Thermal** - Die cast heat sink. L70 lifetime of 100,000 hours. Fixture operating temperature: -13°F to +95°F (-25°C to 35°C).
- **Compliance and Warranty** - ETL Classified and Listed for damp locations. ETL Classified for WET location, under covered ceiling, when utilizing WET option with field installed gasketed ring. Suitable for exterior under canopy mounting when utilizing OUT Outdoor Debris Ingress Protection option. 5 year parts warranty for complete fixture. Optional 10 Year Extended Warranty available, subject to same terms, conditions and installation requirements as standard 5 Year Warranty.



010824



BENEFITS

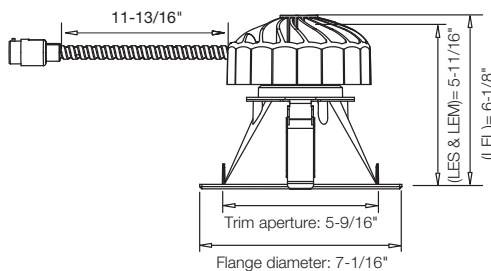
- Get the right amount of light with SelectDrive technology
- Match ceiling décor with field interchangeable trims
- Direct the light with field interchangeable optics
- Various dimming driver options allow for control and energy savings
- Long 100,000 hours L70 rated lifetime
- Exceptional color rendering and uniformity

APPLICATIONS

- Commercial Office
- Hospitality
- Retail
- Educational
- Healthcare
- Exterior Under Canopy*

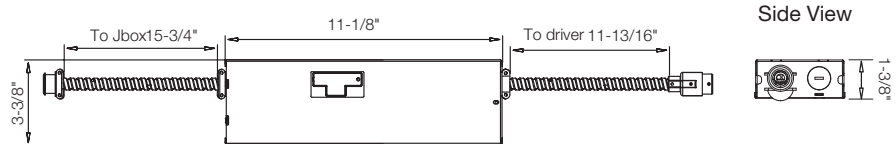
*Applicable with OUT Outdoor Debris Ingress Protection option.

DIMENSIONS

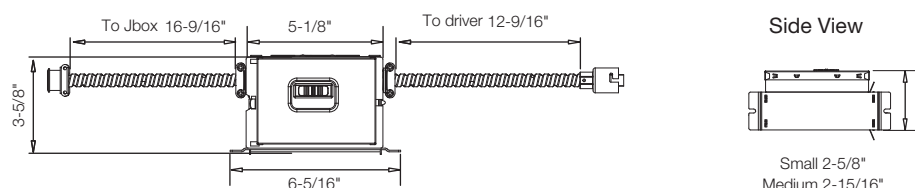


Compatible with most standard housing with aperture ranging from 5-1/2" - 6-13/16"

DIM010UNV or Fixed Output Driver



KDIM010UNV & KDIM120V





SPECFIT 6" SQUARE

ORDERING EXAMPLE

A complete fixture consists of one light engine and one reflector.

SelectDrive Light Engine: LEM9040DIM010UNVMD
Reflector: ADS6CC

SelectDrive Light Engines

Light Engine	CRI	CCT	Driver	Optical Distribution	Options ⁷
<input type="checkbox"/> LES Small Light Engine 500-700-1,000 lumens	<input type="checkbox"/> 90 90+CRI	<input type="checkbox"/> 27 2700K	<input type="checkbox"/> DIM010UNV² SelectDrive 120-277V, 50/60Hz 0-10V Dimmable to 5%	<input type="checkbox"/> SP¹¹ Spot 15° Beam Angle	<input type="checkbox"/> SD347 347V - 240V Step Down Transformer
<input type="checkbox"/> LEM Medium Light Engine 1,500-2,000-2,500 lumens	<input type="checkbox"/> 97³ 97 CRI 3000K only	<input type="checkbox"/> 30 3000K	<input type="checkbox"/> KDIM010UNV¹² K-case Driver, SelectDrive 120-277V, 50/60Hz. Dimmable to 5%.	<input type="checkbox"/> MD¹ Medium (Installed Standard) 60° Beam angle	<input type="checkbox"/> SD480 480V - 240V Step Down Transformer
<input type="checkbox"/> LEL Large Light Engine 3,000-4,000-5,000 lumens		<input type="checkbox"/> 35 3500K	<input type="checkbox"/> KDIM120V SelectDrive 120V, 50/60Hz Forward/Reverse Phase dimming. Dimmable to 10%.	<input type="checkbox"/> VN Very Narrow 25° Beam angle	<input type="checkbox"/> EM⁴ 10.7W Emergency Backup
		<input type="checkbox"/> 40 4000K		<input type="checkbox"/> NR Narrow 40° Beam angle	<input type="checkbox"/> EM⁴ - CEC California Title 20 Compliant 10.7W Emergency Backup
		<input type="checkbox"/> 50 5000K		<input type="checkbox"/> WD Wide 75° Beam angle	<input type="checkbox"/> OUT Outdoor Debris Ingress Protection
					<input type="checkbox"/> WET¹⁰ Field installable wet location gasketed ring

Reflectors

Shape	Finish
<input type="checkbox"/> ADS6 6" Square Reflector	<input type="checkbox"/> CC Clear Diffuse Trim and Flange <input type="checkbox"/> CZ¹³ Customized Trim and Flange <input type="checkbox"/> WH Matte White Trim and Flange

1 Medium Lens Optic comes installed as standard, if other optic distribution selected the lens will ship separately and require field installation. / 2 Dims to 5% with low end cutoff. Dimmer compatibility available on website. / 3 CRI97 TRUE CHROMA is only available in 3000K only and is not Energy Star rated. It is made to order (MTO) for the lumen values of 3000 and above, including the LEL light engine. / 4 EM cannot be combined with SD347 or SD480 option / 7 Options are factory installed and come with the Light Engine and Driver. / 10 Wet location makes the downlight ETL certified for WET location installation, separate gasketed ring will be provided with the light engine for field installation. WET location is not compatible with any sensor options. / 11 SP optic is not available with LEL model. / 12 Upgraded & compact new Light Engine with K-case driver will be available per CCT and Size once current generation is depleted. Please consult below ordering guide for availability. GREEN CREATIVE reserve the right to make change without notice. / 13 Please contact factory for customized finish color or customized reflectors for feasibility and lead times.

SPECFIT 6" SQUARE

ORDERING EXAMPLE

A complete fixture consists of one light engine and one reflector.

Philips Light Engine W/ Enlighted Micro Sensor: LE259040PSRUNVWNENLS-IOT Reflector: ADS6CC	Philips Light Engine W/ EasySense Sensor: LE509030PSRUNVWNES Reflector: ADS6WH
120V Light Engine: LE209035DIM120VWD Reflector: ADS6CC	Lutron EcoSystem Light Engine: LE159027LUT5UNVNR Reflector: ADS6WH

ORDERING INFORMATION

Fixed Output Light Engines

Light Engine	CRI	CCT	Driver	Optical Distribution	Options ⁷
<input type="checkbox"/> LE05 500 lumens	<input type="checkbox"/> 90 90+CRI	<input type="checkbox"/> 27 2700K	<input type="checkbox"/> DIM120V 120V Dimmable, 120V	<input type="checkbox"/> SP¹⁰ Spot 15° Beam Angle	<input type="checkbox"/> SD347 347V - 240V Step Down Transformer
<input type="checkbox"/> LE07 700 lumens	<input type="checkbox"/> 97³ 97 CRI 3000K only	<input type="checkbox"/> 30 3000K	<input type="checkbox"/> PSRUNV 0-10V Driver + SR Ready Bridge, 120-277V	<input type="checkbox"/> MD¹ Medium (Installed Standard) 60° Beam angle	<input type="checkbox"/> SD480 480V - 240V Step Down Transformer
<input type="checkbox"/> LE10 1,000 lumens		<input type="checkbox"/> 35 3500K	<input type="checkbox"/> XT010UNV Signify 0-10V Driver 1% Dimming, 120-277V	<input type="checkbox"/> VN Very Narrow 25° Beam angle	<input type="checkbox"/> EM⁴ 10.7W Emergency Backup
<input type="checkbox"/> LE15 1,500 lumens		<input type="checkbox"/> 40 4000K	<input type="checkbox"/> LUT-1UNV Lutron EcoSystem 1% Dimming, 120-277V	<input type="checkbox"/> NR Narrow 40° Beam angle	<input type="checkbox"/> EM⁴-CEC California Title 20 Compliant 10.7W Emergency Backup
<input type="checkbox"/> LE20 2,000 lumens		<input type="checkbox"/> 50 5000K	<input type="checkbox"/> LUT-L3DUNV Lutron Hi-lume 3-Wire 1% Dimming, 120-277V	<input type="checkbox"/> WD Wide 75° Beam angle	<input type="checkbox"/> ES⁵ Philips EasySense ceiling mount sensor
<input type="checkbox"/> LE25 2,500 lumens			<input type="checkbox"/> ELD-E010UNV EldoLED ECOdrive 0-10V 1%, 120-277V		<input type="checkbox"/> ENLS⁶-IL Enlighted Two Wire ENLIGHTED ONE Compact Sensor
<input type="checkbox"/> LE30 3,000 lumens			<input type="checkbox"/> ELD-EDALIUNV EldoLED ECOdrive DALI 1%, 120-277V		<input type="checkbox"/> ENLS⁶-CL Enlighted Two Wire CONNECTED LIGHTING Compact Sensor
<input type="checkbox"/> LE40 4,000 lumens			<input type="checkbox"/> ELD-S010UNV EldoLED SOLOdrive 0-10V 0.1%, 120-277V		<input type="checkbox"/> ENLS⁶-IOT Enlighted Two Wire IOT Compact Sensor
<input type="checkbox"/> LE50⁸ 5,000 lumens			<input type="checkbox"/> ELD-SDALIUNV EldoLED SOLOdrive DALI 0.1%, 120-277V		<input type="checkbox"/> OUT Outdoor Debris Ingress Protection
					<input type="checkbox"/> WET⁹ Field installable wet location gasketed ring

Reflectors


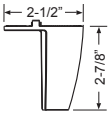
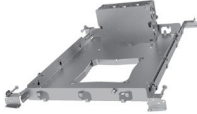
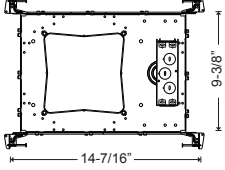

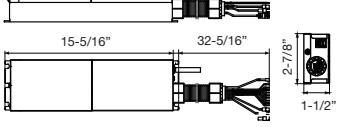
Shape	Finish
<input type="checkbox"/> ADS6 6" Square Reflector	<input type="checkbox"/> CC Clear Diffuse Trim and Flange <input type="checkbox"/> CZ¹¹ Customized Trim and Flange <input type="checkbox"/> WH Matte White Trim and Flange

1 Medium Lens Optic comes installed as standard, if other optic distribution selected the lens will ship separately and require field installation / 3 CRI97 TRUE CHROMA is only available in 3000K only and is not Energy Star rated. It is made to order (MTO) for the lumen values of 3000 and above, including the LEL light engine. / 4 EM cannot be combined with SD347 or SD480 option / 5 Philips EasySense ceiling mounted sensor is only available with the PSRUNV driver / 6 Enlighted Two Wire Compact Sensor with ceiling mount is only available with the PSRUNV driver. / 7 Options are factory installed and come with the Light Engine and Driver. / 8 LE50 is not available with LUT-1UNV and LUT-L3DUNV. / 9 Wet location makes the downlight ETL certified for WET location installation, separate gasketed ring will be provided with the light engine for field installation. WET location is not compatible with any sensor options. / 10 SP optic is not available with LEL model. / 11 Please contact factory for customized finish color or customized reflectors for feasibility and lead times.



SPECFIT 6" SQUARE

ACCESSORY ORDERING INFORMATION

Product	Model	Description	Pictures	Dimensions
99079	ADWAW	Wall Wash (Field Installed on Module)		
35458	NCFJB6S	Square New Construction Plate with Junction Box 6"		
FHUPS1-UNV-25L-SD	FHUPS1-UNV-25L-SD	25W Emergency Micro Inverter for field installation to use with 0-10V Driver options. 100-277VAC (up to 150W with use of 0-10V dimming). CEC Compliant		

10 YEAR EXTENDED WARRANTY

Model	LExx/10YEARWARRANTY*
-------	----------------------

*Where xx = Fixture Light Engine lumen output designation.

Example: 10 Year Warranty for LEM or LE20 Light engine is LEM/10YEARWARRANTY and LE20/10YEARWARRANTY respectively.

ORDERING GUIDE

Light Engines		Reflector	
Product	Model	Product	Model
98060 / 35679	LES9027DIM010UNVMD / LES9027KDIM010UNVMD	98050	ADS6CC
98061 / 35680	LES9030DIM010UNVMD / LES9030KDIM010UNVMD	98052	ADS6WH
98062 / 35681	LES9035DIM010UNVMD / LES9035KDIM010UNVMD		
98063 / 35682	LES9040DIM010UNVMD / LES9040KDIM010UNVMD		
98534 / 35683	LES9050DIM010UNVMD / LES9050KDIM010UNVMD		
98064 / 35684	LES9730DIM010UNVMD / LES9730KDIM010UNVMD		
98065 / 35685	LEM9027DIM010UNVMD / LEM9027KDIM010UNVMD		
98066 / 35686	LEM9030DIM010UNVMD / LEM9030KDIM010UNVMD		
98067 / 35687	LEM9035DIM010UNVMD / LEM9035KDIM010UNVMD		
98068 / 35688	LEM9040DIM010UNVMD / LEM9040KDIM010UNVMD		
98535 / 35689	LEM9050DIM010UNVMD / LEM9050KDIM010UNVMD		
98069 / 35690	LEM9730DIM010UNVMD / LEM9730KDIM010UNVMD		
98070 / 35691	LEL9027DIM010UNVMD / LEL9027KDIM010UNVMD		
98071 / 35692	LEL9030DIM010UNVMD / LEL9030KDIM010UNVMD		
98072 / 35693	LEL9035DIM010UNVMD / LEL9035KDIM010UNVMD		
98073 / 35694	LEL9040DIM010UNVMD / LEL9040KDIM010UNVMD		
98536 / 35695	LEL9050DIM010UNVMD / LEL9050KDIM010UNVMD		
98074 / 35696	LEL9730DIM010UNVMD / LEL9730KDIM010UNVMD		



SPECFIT 6" SQUARE

TECHNICAL INFORMATION

Light Engine	Input Voltage	Input Frequency	Input Current	Input Power	THD Power	Power Factor
LESXXX	120 / 277V	50 / 60Hz	0.115 / 0.047A	13W	<20%	>0.9
LEMXXX	120 / 277V	50 / 60Hz	0.270 / 0.114A	31.5W	<20%	>0.9
LELXXX	120 / 277V	50 / 60Hz	0.530 / 0.217A	60W	<20%	>0.9
LE05XXX	120 / 277V	50 / 60Hz	0.056 / 0.024A	6.5W	<20%	>0.9
LE07XXX	120 / 277V	50 / 60Hz	0.073 / 0.034A	8.5W	<20%	>0.9
LE10XXX	120 / 277V	50 / 60Hz	0.112 / 0.047A	13W	<20%	>0.9
LE15XXX	120 / 277V	50 / 60Hz	0.154 / 0.068A	18W	<20%	>0.9
LE20XXX	120 / 277V	50 / 60Hz	0.218 / 0.092A	25.5W	<20%	>0.9
LE25XXX	120 / 277V	50 / 60Hz	0.269 / 0.116A	31.5W	<20%	>0.9
LE30XXX	120 / 277V	50 / 60Hz	0.318 / 0.133A	37.5W	<20%	>0.9
LE40XXX	120 / 277V	50 / 60Hz	0.411 / 0.165A	48.5W	<20%	>0.9
LE50XXX	120 / 277V	50 / 60Hz	0.487 / 0.203A	57.5W	<20%	>0.9

NOMINAL PERFORMANCE

LES (LE05 / LE07 / LE10) - Low / Medium / High - 6.5 / 8.5 / 12.5W

CCT	2700K			3000K			3500K			4000K			5000K		
	Low	Medium	High	Low	Medium	High	Low	Medium	High	Low	Medium	High	Low	Medium	High
Output**	Im LPW	Im LPW	Im LPW	Im LPW	Im LPW	Im LPW	Im LPW	Im LPW	Im LPW	Im LPW	Im LPW	Im LPW	Im LPW	Im LPW	Im LPW
Finish	Im LPW	Im LPW	Im LPW	Im LPW	Im LPW	Im LPW	Im LPW	Im LPW	Im LPW	Im LPW	Im LPW	Im LPW	Im LPW	Im LPW	Im LPW
Clear Diffuse	500 77	700 82	1,000 80	525 81	735 86	1,050 84	550 85	770 91	1,100 88	575 88	805 95	1,150 92	580 89	810 95	1,165 93
White	495 76	693 82	990 79	520 80	728 86	1,040 83	545 84	762 90	1,089 87	569 88	797 94	1,139 91	574 88	802 94	1,153 92
Black	440 68	616 72	880 70	462 71	647 76	924 74	484 74	678 80	968 77	506 78	708 83	1,012 81	510 78	714 84	1,015 81

LEM (LE15 / LE20 / LE25) - Low / Medium / High - 18.0 / 25.5 / 31.5W

CCT	2700K			3000K			3500K			4000K			5000K		
	Low	Medium	High	Low	Medium	High	Low	Medium	High	Low	Medium	High	Low	Medium	High
Output**	Im LPW	Im LPW	Im LPW	Im LPW	Im LPW	Im LPW	Im LPW	Im LPW	Im LPW	Im LPW	Im LPW	Im LPW	Im LPW	Im LPW	Im LPW
Finish	Im LPW	Im LPW	Im LPW	Im LPW	Im LPW	Im LPW	Im LPW	Im LPW	Im LPW	Im LPW	Im LPW	Im LPW	Im LPW	Im LPW	Im LPW
Clear Diffuse	1,600 89	2,125 83	2,500 79	1,632 91	2,169 85	2,550 81	1,664 92	2,210 87	2,600 83	1,696 94	2,253 88	2,650 84	1,713 95	2,275 89	2,677 85
White	1,584 88	2,104 82	2,475 78	1,616 90	2,147 84	2,525 80	1,647 91	2,188 86	2,574 82	1,679 93	2,230 87	2,624 83	1,696 94	2,252 88	2,650 84
Black	1,408 78	1,870 73	2,200 70	1,436 80	1,909 75	2,244 71	1,464 81	1,945 77	2,288 73	1,492 83	1,983 77	2,332 74	1,507 84	2,002 79	2,355 75

LEL (LE30 / LE40 / LE50) - Low / Medium / High - 37.5 / 48.5 / 60.0W

CCT	2700K			3000K			3500K			4000K			5000K		
	Low	Medium	High	Low	Medium	High	Low	Medium	High	Low	Medium	High	Low	Medium	High
Output**	Im LPW	Im LPW	Im LPW	Im LPW	Im LPW	Im LPW	Im LPW	Im LPW	Im LPW	Im LPW	Im LPW	Im LPW	Im LPW	Im LPW	Im LPW
Finish	Im LPW	Im LPW	Im LPW	Im LPW	Im LPW	Im LPW	Im LPW	Im LPW	Im LPW	Im LPW	Im LPW	Im LPW	Im LPW	Im LPW	Im LPW
Clear Diffuse	3,325 89	4,085 84	4,750 79	3,360 90	4,080 84	4,800 80	3,500 93	4,250 88	5,000 83	3,640 97	4,420 91	5,200 87	3,640 97	4,420 91	5,200 87
White	3,292 88	4,044 83	4,703 78	3,326 89	4,039 83	4,752 79	3,465 92	4,208 87	4,950 82	3,604 96	4,376 90	5,148 86	3,604 96	4,376 90	5,148 86
Black	2,826 78	3,472 71	4,038 67	2,856 77	3,468 71	4,080 68	2,975 79	3,613 75	4,250 71	3,094 82	3,757 77	4,420 74	2,829 75	3,757 77	4,420 74

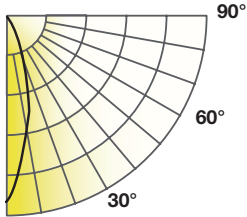
** Lumen output are based on rated lumens, for exact value please refer to the IES files



SPECFIT 6" SQUARE

PHOTOMETRY

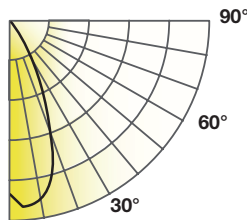
LES9035-DIM010-UNV-VN-ADS6CC



Lumens: 1,220 lm
CBCP: 4,292 cd
Power: 11 W
Efficacy: 98 lm/W
CRI: 90+
Spacing Criteria: 0.42
Beam Angle: 26°

Candlepower Distribution		Initial Footcandles			Zonal Lumen Summary		
Angle (°)	Average (cd)	Height (ft)	Fc	Diameter (ft)	Zone	Lumens	%Fixt
10	2,545	4	236	1.8	0-30	1,094	90%
20	1,189	6	105	2.7	0-40	1,192	98%
30	316	8	59	3.6	0-60	1,219	100%
40	66	10	38	4.5	0-90	1,219	100%
50	12	12	26	5.4			
60	0						
70	0						
80	0						
90	0						

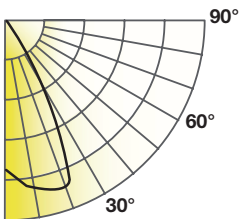
LES9035-DIM010-UNV-NR-ADS6CC



Lumens: 1,240 lm
CBCP: 2,379 cd
Power: 11 W
Efficacy: 100 lm/W
CRI: 90+
Spacing Criteria: 0.67
Beam Angle: 43°

Candlepower Distribution		Initial Footcandles			Zonal Lumen Summary		
Angle (°)	Average (cd)	Height (ft)	Fc	Diameter (ft)	Zone	Lumens	%Fixt
10	2,206	4	205	3.1	0-30	1,084	87%
20	1,371	6	91	4.7	0-40	1,216	98%
30	444	8	51	6.2	0-60	1,239	100%
40	72	10	33	7.8	0-90	1,239	100%
50	12	12	23	9.4			
60	0						
70	0						
80	0						
90	0						

LES9035-DIM010-UNV-MD-ADS6CC



Lumens: 1,257 lm
CBCP: 1,396 cd
Power: 11 W
Efficacy: 101 lm/W
CRI: 90+
Spacing Criteria: 0.90
Beam Angle: 64°

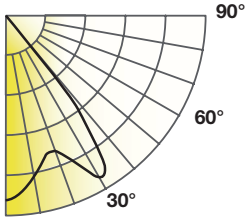
Candlepower Distribution		Initial Footcandles			Zonal Lumen Summary		
Angle (°)	Average (cd)	Height (ft)	Fc	Diameter (ft)	Zone	Lumens	%Fixt
10	1,308	4	121	5.0	0-30	952	76%
20	1,250	6	54	7.5	0-40	1,201	96%
30	696	8	30	10.0	0-60	1,256	100%
40	169	10	19	12.4	0-90	1,256	100%
50	20	12	13	14.9			
60	1						
70	0						
80	0						
90	0						



SPECFIT 6" SQUARE

PHOTOMETRY

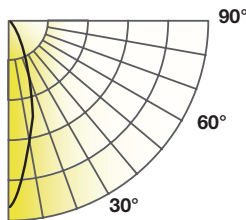
LES9035-DIM010-UNV-WD-ADS6CC



Lumens: 1,250 lm
CBCP: 900 cd
Power: 11 W
Efficacy: 101 lm/W
CRI: 90+
Spacing Criteria: 1.22
Beam Angle: 81°

Candlepower Distribution		Initial Footcandles			Zonal Lumen Summary		
Angle (°)	Average (cd)	Height (ft)	Fc	Diameter (ft)	Zone	Lumens	%Fixt
10	755	4	70	6.8	0-30	642	51%
20	706	6	31	10.2	0-40	1,080	86%
30	846	8	18	13.6	0-60	1,250	100%
40	467	10	11	17.1	0-90	1,250	100%
50	76	12	8	20.5			
60	1						
70	0						
80	0						
90	0						

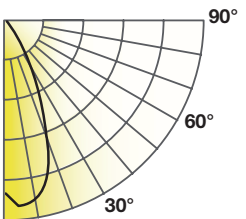
LEM9035-DIM010-UNV-VN-ADS6CC



Lumens: 2,613 lm
CBCP: 9,216 cd
Power: 28 W
Efficacy: 81 lm/W
CRI: 90+
Spacing Criteria: 0.42
Beam Angle: 26°

Candlepower Distribution		Initial Footcandles			Zonal Lumen Summary		
Angle (°)	Average (cd)	Height (ft)	Fc	Diameter (ft)	Zone	Lumens	%Fixt
10	5,323	4	495	1.8	0-30	2,340	90%
20	2,507	6	220	2.8	0-40	2,552	98%
30	698	8	124	3.7	0-60	2,610	100%
40	144	10	79	4.6	0-90	2,611	100%
50	30	12	55	5.5			
60	1						
70	0						
80	0						
90	0						

LEM9035-DIM010-UNV-NR-ADS6CC



Lumens: 2,663 lm
CBCP: 5,360 cd
Power: 28 W
Efficacy: 82 lm/W
CRI: 90+
Spacing Criteria: 0.63
Beam Angle: 41°

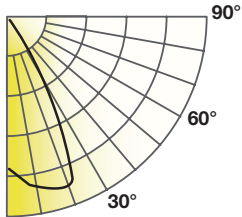
Candlepower Distribution		Initial Footcandles			Zonal Lumen Summary		
Angle (°)	Average (cd)	Height (ft)	Fc	Diameter (ft)	Zone	Lumens	%Fixt
10	4,951	4	460	3.0	0-30	2,357	89%
20	2,936	6	204	4.5	0-40	2,617	98%
30	968	8	115	6.0	0-60	2,661	100%
40	151	10	74	7.5	0-90	2,661	100%
50	14	12	51	9.0			
60	1						
70	0						
80	0						
90	0						



SPECFIT 6" SQUARE

PHOTOMETRY

LEM9035-DIM010-UNV-MD-ADS6CC



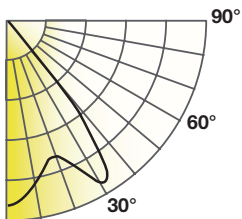
Lumens: 2,680 lm
CBCP: 2,976 cd
Power: 28 W
Efficacy: 81 lm/W
CRI: 90+
Spacing Criteria: 0.91
Beam Angle: 64°

Candlepower Distribution	
Angle (°)	Average (cd)
10	2,802
20	2,655
30	1,539
40	395
50	20
60	2
70	0
80	0
90	0

Initial Footcandles		
Height (ft)	Fc	Diameter (ft)
4	260	5.0
6	116	7.5
8	65	10.0
10	42	12.5
12	29	15.0

Zonal Lumen Summary		
Zone	Lumens	%Fixt
0-30	2,025	76%
0-40	2,555	95%
0-60	2,677	100%
0-90	2,678	100%

LEM9035-DIM010-UNV-WD-ADS6CC



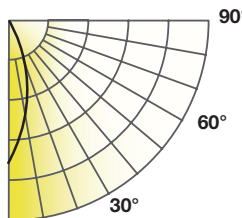
Lumens: 2,684 lm
CBCP: 1,900 cd
Power: 28 W
Efficacy: 83 lm/W
CRI: 90+
Spacing Criteria: 1.19
Beam Angle: 81°

Candlepower Distribution	
Angle (°)	Average (cd)
10	1,626
20	1,521
30	1,826
40	1,037
50	155
60	3
70	0
80	0
90	0

Initial Footcandles		
Height (ft)	Fc	Diameter (ft)
4	151	6.9
6	67	10.3
8	38	13.7
10	24	17.1
12	17	20.6

Zonal Lumen Summary		
Zone	Lumens	%Fixt
0-30	1,378	51%
0-40	2,318	86%
0-60	2,681	100%
0-90	2,683	100%

LEL9035-DIM010-UNV-VN-ADS6CC



Lumens: 4,765 lm
CBCP: 10,381 cd
Power: 28 W
Efficacy: 79 lm/W
CRI: 90+
Spacing Criteria: 0.55
Beam Angle: 34°

Candlepower Distribution	
Angle (°)	Average (cd)
10	1,626
20	1,521
30	1,826
40	1,037
50	155
60	3
70	0
80	0
90	0

Initial Footcandles		
Height (ft)	Fc	Diameter (ft)
4	151	2.4
6	67	3.7
8	38	4.9
10	24	6.1
12	17	7.3

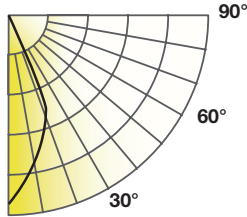
Zonal Lumen Summary		
Zone	Lumens	%Fixt
0-30	1,378	51%
0-40	2,318	86%
0-60	2,681	100%
0-90	2,683	100%



SPECFIT 6" SQUARE

PHOTOMETRY

LEL9035-DIM010-UNV-NR-ADS6CC



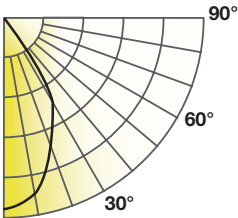
Lumens: 5,079 lm
CBCP: 9,154 cd
Power: 53 W
Efficacy: 86 lm/W
CRI: 90+
Spacing Criteria: 0.68
Beam Angle: 45°

Candlepower Distribution	
Angle (°)	Average (cd)
10	7,593
20	5,198
30	2,044
40	467
50	40
60	5
70	1
80	0
90	0

Initial Footcandles		
Height (ft)	Fc	Diameter (ft)
4	705	3.3
6	313	5.0
8	176	6.6
10	113	8.3
12	78	9.9

Zonal Lumen Summary		
Zone	Lumens	%Fixt
0-30	4,198	83%
0-40	4,943	97%
0-60	5,071	100%
0-90	5,074	100%

LEL9035-DIM010-UNV-MD-ADS6CC



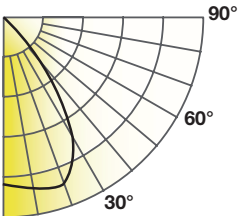
Lumens: 5,113 lm
CBCP: 6,346 cd
Power: 53 W
Efficacy: 86 lm/W
CRI: 90+
Spacing Criteria: 0.80
Beam Angle: 59°

Candlepower Distribution	
Angle (°)	Average (cd)
10	5,593
20	4,188
30	3,109
40	816
50	74
60	6
70	1
80	0
90	0

Initial Footcandles		
Height (ft)	Fc	Diameter (ft)
4	520	3.9
6	231	5.9
8	130	7.9
10	83	9.9
12	58	11.8

Zonal Lumen Summary		
Zone	Lumens	%Fixt
0-30	3,603	71%
0-40	4,887	96%
0-60	5,104	100%
0-90	5,108	100%

LEL9035-DIM010-UNV-WD-ADS6CC



Lumens: 5,212 lm
CBCP: 4,102 cd
Power: 53 W
Efficacy: 88 lm/W
CRI: 90+
Spacing Criteria: 1.07
Beam Angle: 72°

Candlepower Distribution	
Angle (°)	Average (cd)
10	4,015
20	3,849
30	3,108
40	1,581
50	220
60	12
70	3
80	0
90	0

Initial Footcandles		
Height (ft)	Fc	Diameter (ft)
4	373	3.9
6	166	5.9
8	93	7.9
10	60	9.9
12	41	11.8

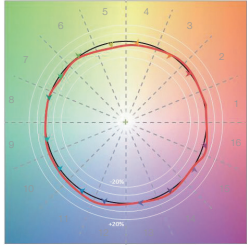
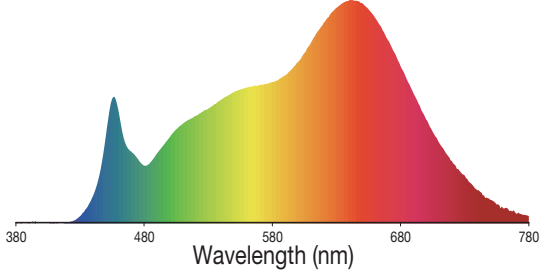
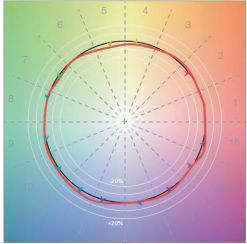
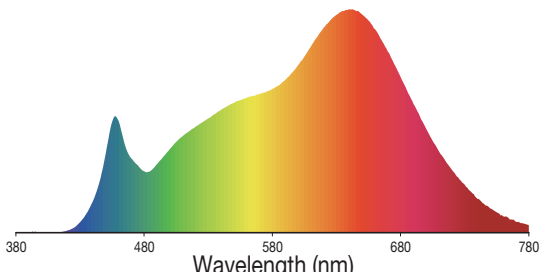
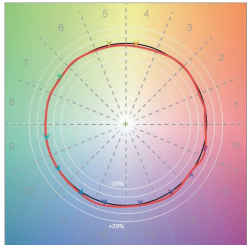
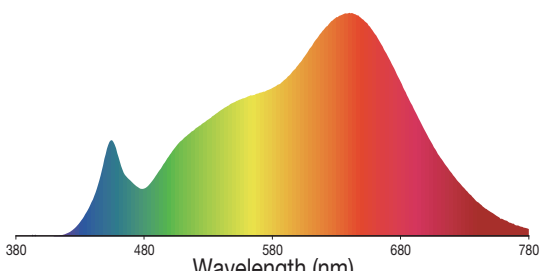
Zonal Lumen Summary		
Zone	Lumens	%Fixt
0-30	3,152	61%
0-40	4,643	89%
0-60	5,199	100%
0-90	5,207	100%



SPECFIT 6" SQUARE

COLOR ACCURACY & SPECTRAL DISTRIBUTION FOR 97 CRI WITH TRUE CHROMA



CCT	COLOR ACCURACY	SPECTRAL POWER DISTRIBUTION
LES9730DIM010UNVMD	 <p>Rr: 93, Rg: 101</p>	 <p>Wavelength (nm)</p>
LEM9730DIM010UNVMD	 <p>Rr: 94, Rg: 101</p>	 <p>Wavelength (nm)</p>
LEL9730DIM010UNVMD	 <p>Rr: 95, Rg: 101</p>	 <p>Wavelength (nm)</p>

Rr: TM-30 metric measuring color fidelity (whether colors are similar to those under natural light). Rr is a more accurate version of the CRI Ra. Rr is 100 for natural light.
 Rg: TM-30 metric measuring color gamut (whether colors are more saturated than under natural light). Rg is 100 for natural light.

Note: All rights reserved. All sizes and specifications are subject to change at any time without notice.