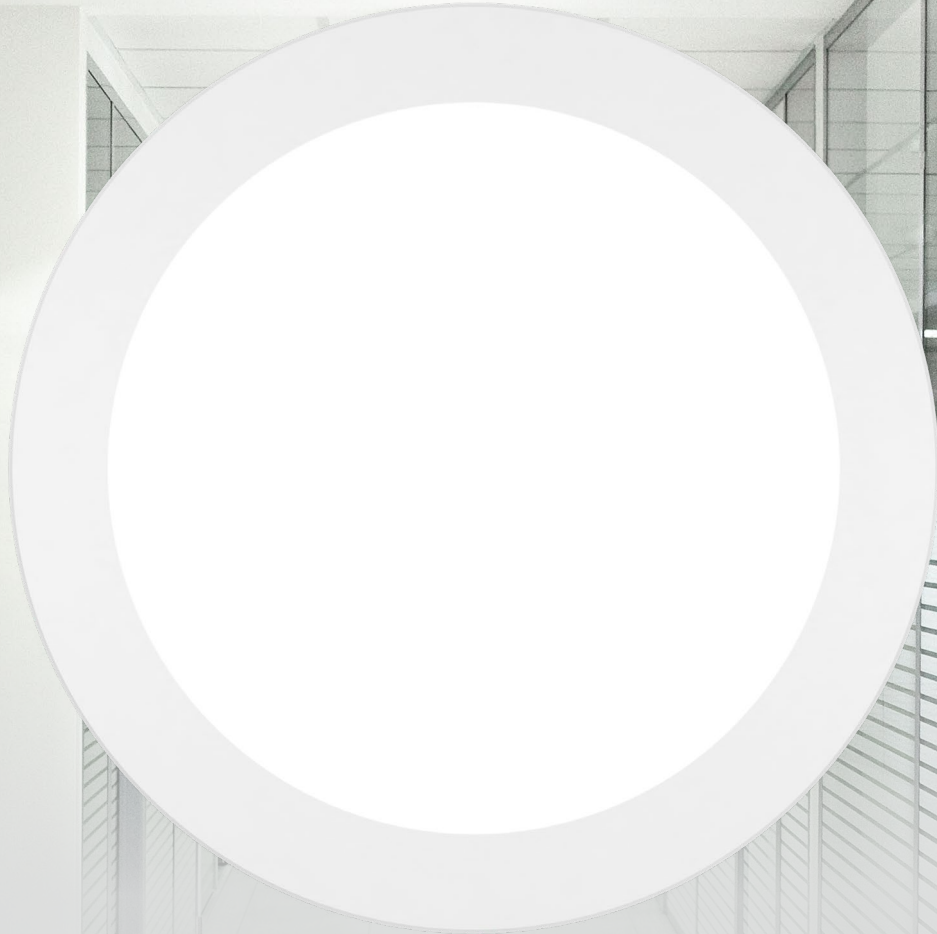


SLIMFIT SERIES



Slimmer Design, Perfect for any Setting



GREENCREATIVE



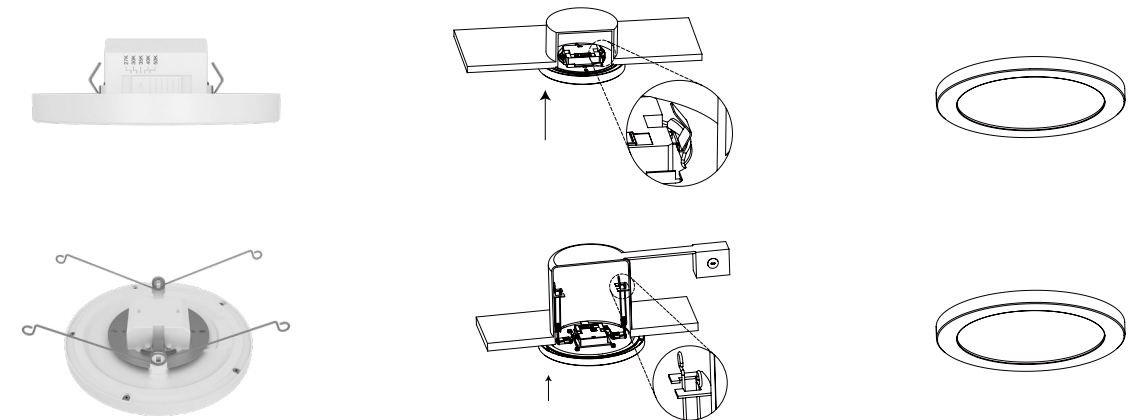
Features

- Surface Mount Downlight 5", 7" and 9", from 820lm to 1250lm, with min efficacy of 82LMW
- Shallow fixture depth blends into ceilings
- Edge lighting technology with PMMA light guide eliminates lens yellowing
- 120V or 0-10V dimming options
- Working temperature: -4°F / -20°C - 95°F / 35°C
- Install in many applications with the Air-Tight, IC and Wet Location ratings
- 90 CRI with 4-steps SDCM binning
- ETL Listed and Classified
- 50,000 hours lifetime
- 5 Year Warranty
- Energy Star certified and compliant with California Title 24 JA8 standards



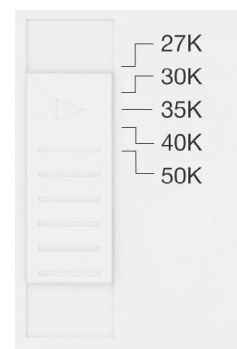
Installation

Two installation options: direct mount in new construction with a 4" junction box or retrofit into existing recessed housings.



5 Selectable Color Temperatures

SelectKelvin technology enables easy selection of five color temperatures from 2700K, 3000K, 3500K, 4000K and 5000K in the field, creating customized ambience and adapting to the mood of the space with just the flip of a switch.



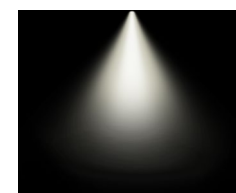
2700K
SOFT WHITE LIGHT



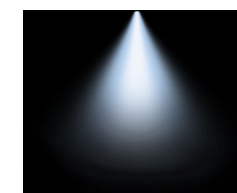
3000K
WARM WHITE LIGHT



3500K
NEUTRAL WHITE LIGHT

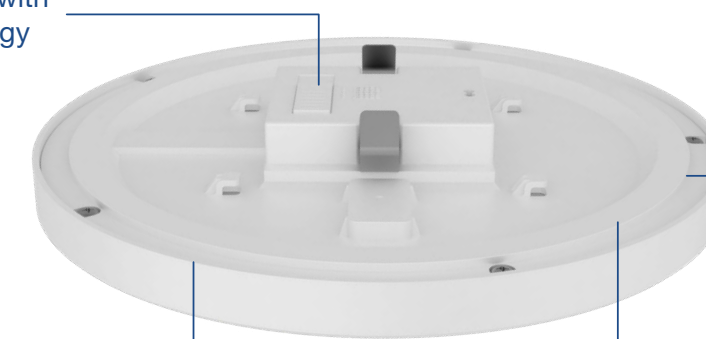


4000K
COOL WHITE LIGHT



5000K
DAY LIGHT

Field Selectable CCT with SelectKelvin Technology



0.55" thickness from below the ceiling



120V Forward and Reverse Phase or 120-277V 0-10V dimming options

Gasketed to provide Air-Tight and Wet Location Ratings



SLIMFIT SERIES



GREENCREATIVE

Your Partner for Professional Lighting Solutions