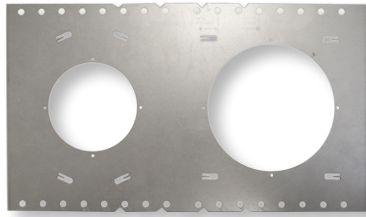
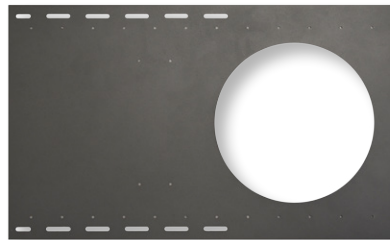


# THINFIT EXT DRYWALL NEW CONSTRUCTION PLATE

PRO

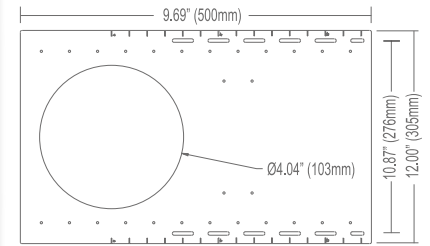
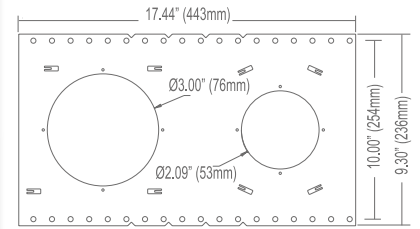


NCDL46RPLATE



NCDL8RPLATE

## DIMENSIONS

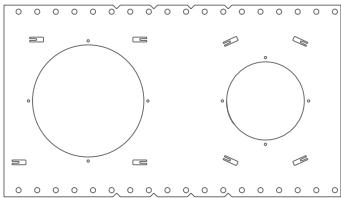
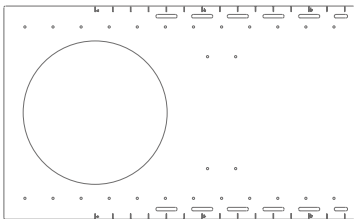


Ref.:#DS330-NCDL-NOPLATE-290318

- 🕒 For use with 4", 6" and 8" THINFIT EXT Series products only
- 🕒 Spacing distance marks for easy centering
- 🕒 Fits up to 24" stud/joist spacings
- 🕒 Offset slotted openings for irregular stud/joist spacings

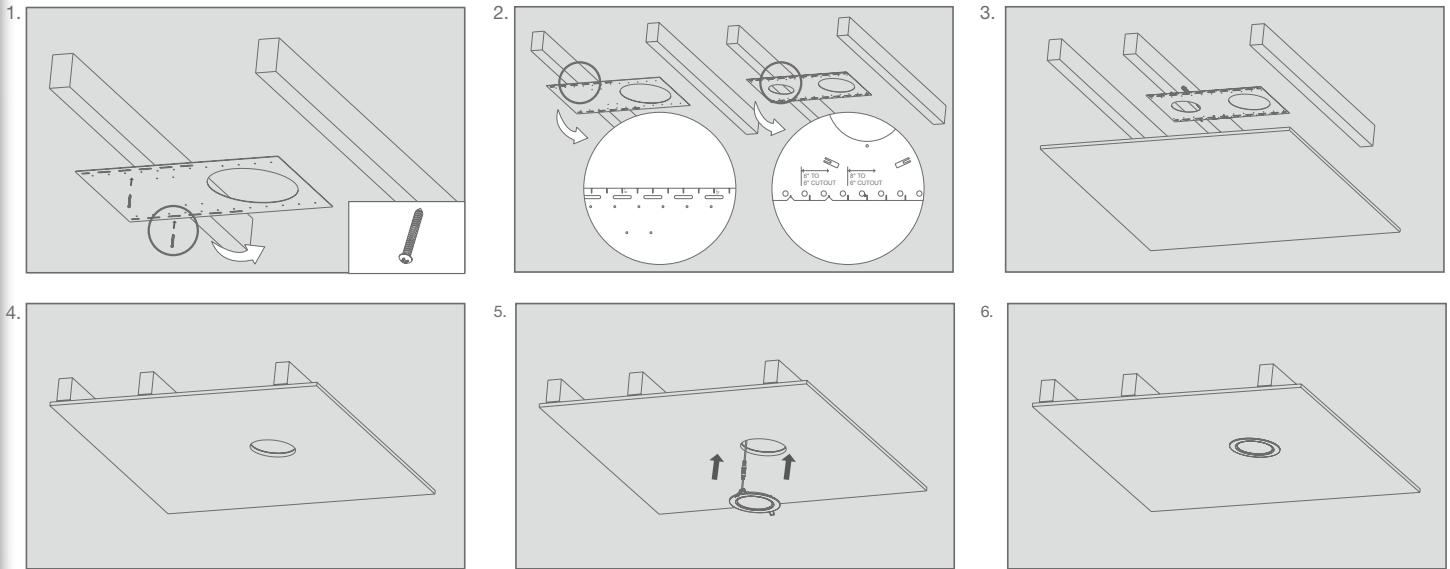
## RECOMMENDED USE

### THINFIT EXT SERIES

THINFIT EXT New Construction Plate	Compatible Products
	<p><b>THINFIT 4" EXT</b>                      10NCDLR4DIM/xxx/EXT                      10NCDLR4DN/xxx/277V/EXT</p> <p><b>THINFIT 6" EXT</b>                      12NCDLR6DIM/xxx/EXT                      12NCDLR6DIM/xxx/277V/EXT</p>
	<p><b>THINFIT 8" EXT</b>                      24.5NCDLR8DIM/xxx/EXT                      24.5NCDLR8DIM/xxx/277V/EXT</p>

Where xxx means 8018-9750 or 818-965, which indicates CRI and Color Temperature.

## INSTALLATION GUIDE



**Step 1.** Nail or screw the NCDL46PLATE or NCDL8RPLATE to the ceiling's studs/joists. Note NCDL46PLATE or NCDL8RPLATE allows a maximum spacing of 24".

**Step 2.** Secure the driver to the plate

**Step 3.** Make electrical connection following the appropriate THINFIT EXT installation instructions

**Step 4.** Once ceiling is installed follow the appropriate THINFIT EXT Installation instructions to complete installation

## SPECIFICATIONS

Model	Product	Description
NCDL46RPLATE	98280	4" & 6" THINFIT EXT Series New Construction Plate for Stud/Joist Mounting
NCDL8RPLATE	98281	8" THINFIT EXT Series New Construction Plate for Stud/Joist Mounting