

MULTIFIT DOWNLIGHT INSTALLATION GUIDE - WARNING

WARNING – Read all product labels and instructions before installing fixture.

WARNING – Risk of fire or electric shock. LED fixture installation requires knowledge of luminaire electrical systems. Installation should be performed only by a qualified electrician in accordance with the National Electrical Code and relevant local code.

WARNING – Risk of fire or electric shock. Install this fixture only in ceilings that have the construction features and dimensions shown in the photographs and/or drawings.

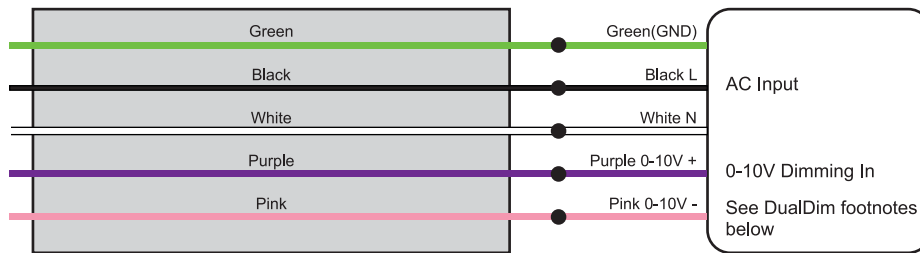
WARNING – To prevent wiring damage or abrasion, do not expose wiring to edges of sheet metal or other sharp objects.

WARNING – Do not make or alter any open holes in an enclosure of wiring or electrical components during fixture installation.

WARNING – The fixture is intended for mounting only in a covered ceiling where only the led side of the luminaire will be exposed to damp or dry locations.

WARNING – INSTALLATION SHOULD ONLY BE PERFORMED AFTER POWER TO THE FIXTURE HAS BEEN DISCONNECTED.

WIRING DIAGRAM



This product features DualDim technology - and is capable of dimming on either 0-10V or line voltage dimming systems! Please follow the wiring diagram and footnotes below.

1. For non-dimmable or forward & reverse phase dimming, use only black (L), white (N) & Green (GND).
2. Do not use 0-10V and forward & reverse phase dimming together.

DIRECT MOUNT INSTALLATION

1. Make sure the **POWER IS TURNED OFF** at the source to the area in which you are installing the product.
2. If existing fixture or can is present, remove from ceiling or move it out of the way as it will not be needed during installation. Measure the ceiling opening to make sure the edge of the luminaire will cover the entire hole and still sit firmly in the ceiling before proceeding (see ceiling cutout table). If a new hole is needed, place the provided template on the ceiling at desired hole location. Cut the hole along the outside edge of the template. (fig. 1) If using a hole cutter, set diameter to correct dimensions (see ceiling cutout table).
3. Open the driver box lid and remove appropriate knock-out. Insert provided snap clamp in the Knock-out or MC clamp (not provided) if using a flex cable into the open knock-out. Insert the incoming power supply through. Insert wires into the downlight quick connectors following wiring diagram. (fig. 2)
4. Close the lid and ensure all the wires and connectors are securely tucked into the driver box. Adjust the color temperature to desired one, by sliding the selector switch on the driver box. (fig. 3)
5. Connect the power cord from the driver to the fixture using the cable connector and secure it with by tightening the connector threaded lock nut (fig. 4).
6. Set the driver in the ceiling following your local electric code for securing it.

NOTE: THE DRIVER BOX MUST NOT BE PLACED ON TOP OF THE DOWNLIGHT. DOING SO WILL VOID THE PRODUCT WARRANTY.

fig. 1

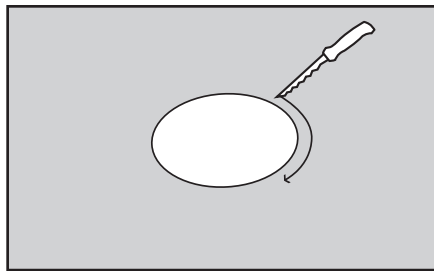


fig. 3

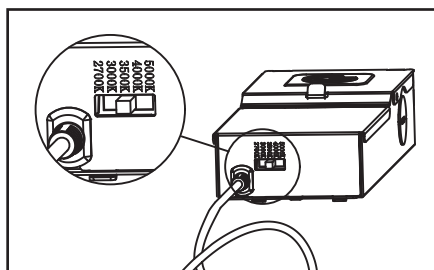


fig. 4

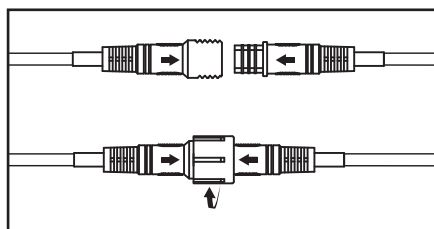
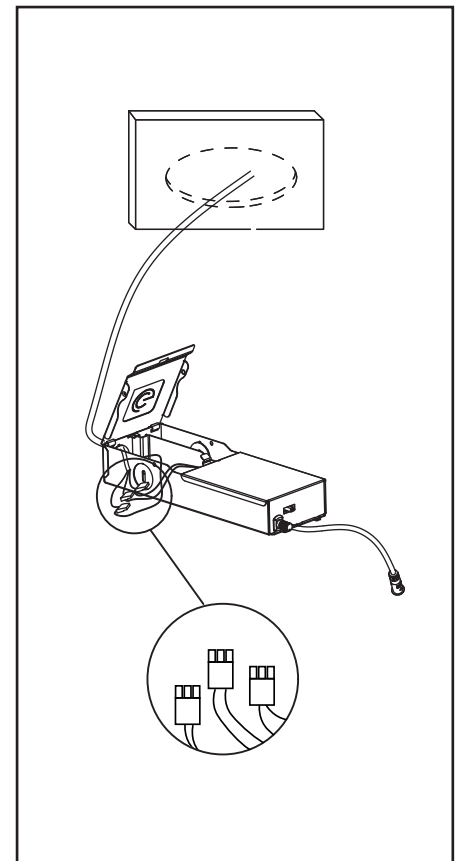


fig. 2



DIRECT MOUNT INSTALLATION

7. With the j-box in the ceiling, push up the spring-action clips and insert the downlight into the ceiling. Release the springs and make sure the downlight is secure and flush in the ceiling according to the type you are installing (fig. 5 & 6)
8. Restore power at the source and the installation is complete

Ceiling Cutout		
Type	Minimum	Maximum
MFR4	4-3/16"	4-5/8"
MFR6/6HO	6-1/8"	6-3/4"
MFR8/8HO	7-15/16"	8-9/16"
MGR4	4-5/16"	4-5/8"
MGR6	6-1/4"	6-13/16"
MCR4	4-3/16"	4-1/2"
MCR6/6HO	6-5/16"	6-3/4"

fig. 5

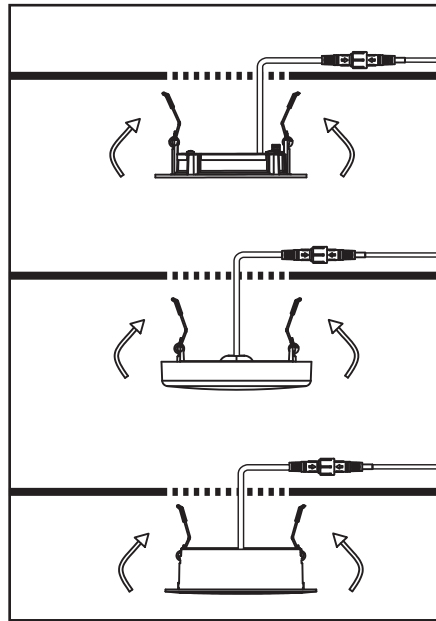


fig. 6

