

For model #: 9.5T5HE/2F/xxx/EXT, 11T5HE/3F/xxx/EXT, 13.5T5HE/4F/xxx/EXT, 11.5T8/4F/xxx/EXT/R, 14T8/4F/xxx/EXT/R, 9.5T8/2F/xxx/EXT, 10.5T8/3F/xxx/EXT, 11.5T8/4F/xxx/EXT, 14T8/4F/xxx/EXT, 14.5T8U6/xxx/EXT, 15T8T5DRIVER/2CH/R, 15T8T5DRIVER/4CH/R, 15T8T5HEDRIVER/SD/2CH, 15T8T5HEDRIVER/SD/4CH, 11.5T8/4F/xxx/EXT/R, 14T8/4F/xxx/EXT/R, 9.5T8/2F/8CCTS/EXT, 10.5T8/3F/8CCTS/EXT, 11.5T8/4F/8CCTS/EXT, 14T8/4F/8CCTS/EXT
 Where xxx means 824-965 which indicates CRI and color temperature
 Pour les produits suivants: 9.5T5HE/2F/xxx/EXT, 11T5HE/3F/xxx/EXT, 13.5T5HE/4F/xxx/EXT, 11.5T8/4F/xxx/EXT/R, 14T8/4F/xxx/EXT/R, 9.5T8/2F/xxx/EXT, 10.5T8/3F/xxx/EXT, 11.5T8/4F/xxx/EXT, 14T8/4F/xxx/EXT, 14.5T8U6/xxx/EXT, 15T8T5DRIVER/2CH/R, 15T8T5DRIVER/4CH/R, 15T8T5HEDRIVER/SD/2CH, 15T8T5HEDRIVER/SD/4CH, 11.5T8/4F/xxx/EXT/R, 14T8/4F/xxx/EXT/R, 9.5T8/2F/8CCTS/EXT, 10.5T8/3F/8CCTS/EXT, 11.5T8/4F/8CCTS/EXT, 14T8/4F/8CCTS/EXT
 Où xxx signifie 824-965 qui correspond au CRI et couleur de température

LED TUBE & DRIVER INSTALLATION GUIDE - WARNING

WARNING - Risk of fire or electric shock. LED Retrofit Kit installation requires knowledge of luminaire electrical systems. Installation should be performed only by a qualified electrician in accordance with the National Electrical Code and relevant local code.

WARNING - Risk of fire or electric shock. Install this kit only in the luminaires that have the construction features and dimensions shown in the photographs and/or drawings.

WARNING - To prevent wiring damage or abrasion, do not expose wiring to edges of sheet metal or other sharp objects.

WARNING - Risk of fire or electric shock. Luminaire wiring and electrical parts may be damaged when drilling for installation of LED retrofit kit. Check for enclosed wiring and components.

- Check the Max. case temperature of the fluorescent lamp ballast before replacement. The temperature shall be below or equal to the maximum case temperature (194°F/90°C) of the external driver. The external driver shall be mounted at the same location as the ballast.
- Disconnect power at the source before installation, inspection or removal. Do not simply switch off fixture.
- This item is rated at 120-277V. Installer must determine whether line voltage 120-277V is available at the luminaire before installation.
- Not intended for use with emergency exit fixtures or emergency exit lights.
- GREEN CREATIVE T8/T5 EXT tubes and drivers are sold separately. This lamp is DC input. Do not operate LED tubes without corresponding compatible driver (refer to compatibility table below).
- Do not use if product is damaged.
- Suitable for use with shunted and non shunted lamp holders.
- Do not make or alter any open holes in an enclosure of wiring or electrical components during kit installation.
- "This luminaire has been modified to operate GREEN CREATIVE T8/T5 EXT LED lamps" shall be marked on the retrofit luminaire where readily visible by the user during normal maintenance including re-lamping.
- Risk of fire or electric shock. Do not open or modify. No user serviceable parts inside.
- Installers should not disconnect existing wires from lamp holder terminals to make new connections at lamp holder terminals. Instead installers should cut existing lamp holder leads away from the lamp holder and make new electrical connections to lamp holder lead wires by employing applicable connectors.
- SUITABLE FOR DRY AND DAMP LOCATIONS ONLY.
- Complies with Part 15 of FCC. Operation is subject to the following two conditions: (1) This device may not cause harmful interference, and (2) This device must accept any interference received including interference that may cause undesired operation.
- SUITABLE FOR "TYPE IC" OR "TYPE NON-IC" LUMINAIRES.
- No external weight or mechanical force should be applied to tube or components.
- THE RETROFIT ASSEMBLY IS ACCEPTED AS A COMPONENT OF A LUMINAIRE WHERE THE SUITABILITY OF THE COMBINATION SHALL BE DETERMINED BY UL OR AUTHORITIES HAVING JURISDICTION.
- The minimum lamp compartment dimensions are described below:

Model Number	9.5T5HE/2F/8XX/EXT	11T5HE/3F/8XX/EXT	13.5T5HE/4F/8XX/EXT	9.5T8/2F/8XX/EXT 9.5T8/2F/8CCTS/EXT	10.5T8/3F/8XX/EXT 10.5T8/3F/8CCTS/EXT	11.5T8/4F/8XX/EXT 11.5T8/4F/8XX/EXT/R 11.5T8/4F/8CCTS/EXT	14T8/4F/xxx/EXT 14T8/4F/xxx/EXT/R 14T8/4F/8CCTS/EXT	14.5T8U6/8XX/EXT	
Lamp Compartment Dimensions	Length	24"	35-13/16"	47-5/8"	24-13/16"	36-5/8"	48-7/16"	48-7/16"	24"
	Width	24"	24"	24"	13-3/16"	13-3/16"	13-3/16"	13-3/16"	24"
	Height	2"	2"	2"	3-1/8"	3-1/8"	3-1/8"	3-1/8"	3-1/8"
Maximum Lamps in Luminaire	4	4	4	4	4	4	4	3	
Lampholder-to-Lampholder Spacing	4-5/16"	4-5/16"	4-5/16"	3-1/8"	3-1/8"	3-1/8"	3-1/8"	2"	

Where xxx means 824-965 which indicates CRI and color temperature

GUIDE D'INSTALLATION – ATTENTION

WARNING - Risque d'incendie ou de choc électrique. L'installation de ce kit LED nécessite la connaissance des systèmes électriques des luminaires. L'installation doit être faite par un électricien qualifié en accord avec les normes électriques nationales et locales en vigueur.

WARNING - Risque d'incendie ou de choc électrique. Installer uniquement dans des luminaires aux spécificités et dimensions similaires au dessin et/ou photos.

WARNING - Afin d'éviter tout dommage ou abrasion ne pas laisser de câble en contact avec les bords métalliques ou autre endroit abrasif.

WARNING - Risque d'incendie ou de choc électrique. Le câblage du luminaire peut être endommagé pendant le perçage pour l'installation de ce kit de conversion LED. Vérifier les câblage et composants qui peuvent être enclos.

- Vérifiez la température max. du boîtier du ballast de la lampe fluorescente avant son remplacement. La température doit être inférieure ou égale à la température maximale du boîtier (194°F/90°C) du boîtier externe. Le driver externe doit être monté au même endroit que le ballast.
- Couper l'alimentation à la source avant l'installation, l'inspection ou le retrait. Ne pas simplement éteindre l'appareil.
- Ce produit est évalué à 120-277V. L'installateur doit déterminer si la tension de ligne 120-277V est disponible au niveau du luminaire avant l'installation.
- Non destiné à être utilisé avec un luminaire de sortie de secours ou un éclairage de secours.
- Les tubes T8/T5 EXT GREEN CREATIVE et les pilotes sont vendus séparément. Cette lampe est alimentée en courant continu Ne pas utiliser de tubes LED sans pilote compatible correspondant (voir le tableau de compatibilité ci-dessous).
- Ne pas utiliser si le produit est endommagé.
- Convient pour utilisation avec des porte-lampes shuntés et non shuntés.
- Ne pas faire ou modifier des trous dans les boîtes de câblage ou tout composant électrique pendant l'installation.
- "Ce luminaire a été modifié pour fonctionner Les lampes LED T8/T5 EXT GREEN CREATIVE" doit être inscrit sur le luminaire converti de manière à être visible pendant l'entretien et notamment le changement de lampe.
- Risque de choc électrique. Ne pas ouvrir. Aucune pièce ne peut être changée à l'intérieur.
- L'installateur ne doit pas déconnecter les câbles existants au niveau des connecteur de la douille. L'installateur doit couper le câble existant à distance des douilles et utiliser des connecteurs appropriés pour faire une nouvelle connection.
- CONVIENT AUX EMBLEMES SECS ET HUMIDES SEULEMENT.
- Conforme à la partie 15 de la FCC. Le fonctionnement est soumis aux deux conditions suivantes: (1) cet appareil ne doit pas causer d'interférences nuisibles et (2) doit accepter les interférences reçues, y compris les interférences susceptibles de provoquer un fonctionnement indésirable.
- CONVIENT AUX LUMINAIRES DE "TYPE IC" OU DE "TYPE NON-IC".
- Aucun poids externe ou force mécanique ne doit être appliqué au tube ou aux composants.
- L'INSTALLATION DE CE KIT DE CONVERSION EST ACCEPTÉ COMME UN COMPOSANT DU LUMINAIRE POUR LEQUEL LE CARATÈRE APPROPRIÉ DE LA COMBINAISON DOIT ÊTRE DETERMINÉ PAR UL OU LES AUTORITÉS COMPÉTENTES AYANT JURISDICTION.

For model #: 9.5T5HE/2F/xxx/EXT, 11T5HE/3F/xxx/EXT, 13.5T5HE/4F/xxx/EXT, 11.5T8/4F/xxx/EXT/R, 14T8/4F/xxx/EXT/R, 9.5T8/2F/xxx/EXT, 10.5T8/3F/xxx/EXT, 11.5T8/4F/xxx/EXT, 14T8/4F/xxx/EXT, 14.5T8U6/xxx/EXT, 15T8T5DRIVER/2CH/R, 15T8T5DRIVER/4CH/R, 15T8T5HEDRIVER/SD/2CH, 15T8T5HEDRIVER/SD/4CH, 11.5T8/4F/xxx/EXT/R, 14T8/4F/xxx/EXT/R, 14T8/4F/8CCTS/EXT, 9.5T8/2F/8CCTS/EXT, 10.5T8/3F/8CCTS/EXT, 11.5T8/4F/8CCTS/EXT, 14T8/4F/8CCTS/EXT
 Where xxx means 824-965 which indicates CRI and color temperature
 Pour les produits suivants: 9.5T5HE/2F/xxx/EXT, 11T5HE/3F/xxx/EXT, 13.5T5HE/4F/xxx/EXT, 11.5T8/4F/xxx/EXT/R, 14T8/4F/xxx/EXT/R, 9.5T8/2F/xxx/EXT, 10.5T8/3F/xxx/EXT, 11.5T8/4F/xxx/EXT, 14T8/4F/xxx/EXT, 14.5T8U6/xxx/EXT, 15T8T5DRIVER/2CH/R, 15T8T5DRIVER/4CH/R, 15T8T5HEDRIVER/SD/2CH, 15T8T5HEDRIVER/SD/4CH, 11.5T8/4F/xxx/EXT/R, 14T8/4F/xxx/EXT/R, 14T8/4F/8CCTS/EXT, 9.5T8/2F/8CCTS/EXT, 10.5T8/3F/8CCTS/EXT, 11.5T8/4F/8CCTS/EXT, 14T8/4F/8CCTS/EXT
 Où xxx signifie 824-965 qui correspond au CRI et couleur de température

COMPATIBILITY TABLE

LED driver model	15T8T5DRIVER/2CH/R 15T8T5HEDRIVER/SD/2CH	15T8T5DRIVER/4CH/R 15T8T5HEDRIVER/SD/4CH
9.5T5HE/2F/xxx/EXT	1 lamp / 2 lamps	1 lamp / 2 lamps / 3 lamps / 4 lamps
11T5HE/3F/xxx/EXT	1 lamp / 2 lamps	1 lamp / 2 lamps / 3 lamps / 4 lamps
13.5T5HE/4F/xxx/EXT	1 lamp / 2 lamps	1 lamp / 2 lamps / 3 lamps / 4 lamps
9.5T8/2F/xxx/EXT 9.5T8/2F/8CCTS/EXT	1 lamp / 2 lamps	1 lamp / 2 lamps / 3 lamps / 4 lamps
10.5T8/3F/xxx/EXT 10.5T8/3F/8CCTS/EXT	1 lamp / 2 lamps	1 lamp / 2 lamps / 3 lamps / 4 lamps
11.5T8/4F/xxx/EXT 11.5T8/4F/xxx/EXT/R 11.5T8/4F/8CCTS/EXT	1 lamp / 2 lamps	1 lamp / 2 lamps / 3 lamps / 4 lamps
14T8/4F/xxx/EXT 14T8/4F/xxx/EXT/R 14T8/4F/8CCTS/EXT	1 lamp / 2 lamps	1 lamp / 2 lamps / 3 lamps / 4 lamps
14.5T8U6/xxx/EXT	1 lamp / 2 lamps	1 lamp / 2 lamps / 3 lamps / 4 lamps

LED TUBE & SelectDrive Driver COMPATIBLE GUIDE

Product	LED Lamp model	Lamp & Driver lumen output			Product	LED Lamp model	Lamp & Driver lumen output		
		15T8T5HEDRIVER/SD/2CH 15T8T5HEDRIVER/SD/4CH					15T8T5HEDRIVER/SD/2CH 15T8T5HEDRIVER/SD/4CH		
		Low (lumens)	Mid (lumens)	High (lumens)			Low (lumens)	Mid (lumens)	High (lumens)
98325	9.5T8/2F/830/EXT	900	1,100	1,350	98309	11T5HE/3F/830/EXT	1,000	1,200	1,500
98326	9.5T8/2F/835/EXT	900	1,100	1,350	98310	11T5HE/3F/835/EXT	1,000	1,200	1,500
98327	9.5T8/2F/840/EXT	900	1,100	1,350	98311	11T5HE/3F/840/EXT	1,000	1,200	1,500
35671	9.5T8/2F/850/EXT	900	1,100	1,350	98312	13.5T5HE/4F/830/EXT	1,250	1,550	1,850
98328	10.5T8/3F/830/EXT	950	1,200	1,450	98313	13.5T5HE/4F/835/EXT	1,250	1,550	1,850
98329	10.5T8/3F/835/EXT	950	1,200	1,450	98314	13.5T5HE/4F/840/EXT	1,250	1,550	1,850
98330	10.5T8/3F/840/EXT	950	1,200	1,450	98337	14.5T8U6/830/EXT	1,300	1,600	2,000
98331	11.5T8/4F/830/EXT	1,100	1,350	1,650	35461	14.5T8U6/835/EXT	1,300	1,600	2,000
98332	11.5T8/4F/835/EXT	1,100	1,350	1,650	98338	14.5T8U6/840/EXT	1,300	1,600	2,000
98333	11.5T8/4F/840/EXT	1,100	1,350	1,650	98339	14.5T8U6/850/EXT	1,300	1,600	2,000
98334	11.5T8/4F/850/EXT	1,100	1,350	1,650	37121	11.5T8/4F/830/EXT/R	1,050	1,300	1,600
35675	14T8/4F/835/EXT	1,300	1,600	2,000	37122	11.5T8/4F/835/EXT/R	1,100	1,350	1,650
98335	14T8/4F/840/EXT	1,300	1,600	2,000	37123	11.5T8/4F/840/EXT/R	1,150	1,400	1,700
98336	14T8/4F/850/EXT	1,300	1,600	2,000	37124	11.5T8/4F/850/EXT/R	1,150	1,400	1,700
98306	9.5T5HE/2F/830/EXT	950	1,150	1,400	37125	14T8/4F/835/EXT/R	1,300	1,600	2,000
98307	9.5T5HE/2F/835/EXT	950	1,150	1,400	37126	14T8/4F/840/EXT/R	1,400	1,650	2,050
98308	9.5T5HE/2F/840/EXT	950	1,150	1,400	37127	14T8/4F/850/EXT/R	1,400	1,650	2,050

Product	LED Lamp model	CCT	Lamp & Driver lumen output		
			15T8T5HEDRIVER/SD/2CH 15T8T5HEDRIVER/SD/4CH		
			Low (lumens)	Mid (lumens)	High (lumens)
37223	9.5T8/2F/8CCTS/EXT	3000K	900	1,100	1,350
		3500K	950	1,150	1,400
		4000K	1,000	1,200	1,500
		5000K	1,000	1,200	1,500
37224	10.5T8/3F/8CCTS/EXT	3000K	950	1,150	1,450
		3500K	1,000	1,200	1,500
		4000K	1,050	1,300	1,600
		5000K	1,050	1,300	1,600
37225	11.5T8/4F/8CCTS/EXT	3000K	1,050	1,300	1,600
		3500K	1,100	1,350	1,650
		4000K	1,150	1,400	1,700
		5000K	1,150	1,400	1,700
37226	14T8/4F/8CCTS/EXT	3000K	1,245	1,535	1,920
		3500K	1,300	1,600	2,000
		4000K	1,400	1,650	2,050
		5000K	1,400	1,650	2,050

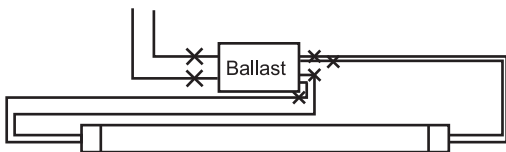
For model #: 9.5T5HE/2F/xxx/EXT, 11T5HE/3F/xxx/EXT, 13.5T5HE/4F/xxx/EXT, 11.5T8/4F/xxx/EXT/R, 14T8/4F/xxx/EXT/R, 9.5T8/2F/xxx/EXT, 10.5T8/3F/xxx/EXT, 11.5T8/4F/xxx/EXT, 14T8/4F/xxx/EXT, 14.5T8U6/xxx/EXT, 15T8T5DRIVER/2CH/R, 15T8T5DRIVER/4CH/R, 15T8T5HEDRIVER/SD/2CH, 15T8T5HEDRIVER/SD/4CH, 11.5T8/4F/xxx/EXT/R, 14T8/4F/xxx/EXT/R, 9.5T8/2F/8CCTS/EXT, 10.5T8/3F/8CCTS/EXT, 11.5T8/4F/8CCTS/EXT, 14T8/4F/8CCTS/EXT
 Where xxx means 824-965 which indicates CRI and color temperature
 Pour les produits suivants: 9.5T5HE/2F/xxx/EXT, 11T5HE/3F/xxx/EXT, 13.5T5HE/4F/xxx/EXT, 11.5T8/4F/xxx/EXT/R, 14T8/4F/xxx/EXT/R, 9.5T8/2F/xxx/EXT, 10.5T8/3F/xxx/EXT, 11.5T8/4F/xxx/EXT, 14T8/4F/xxx/EXT, 14.5T8U6/xxx/EXT, 15T8T5DRIVER/2CH/R, 15T8T5DRIVER/4CH/R, 15T8T5HEDRIVER/SD/2CH, 15T8T5HEDRIVER/SD/4CH, 11.5T8/4F/xxx/EXT/R, 14T8/4F/xxx/EXT/R, 9.5T8/2F/8CCTS/EXT, 10.5T8/3F/8CCTS/EXT, 11.5T8/4F/8CCTS/EXT, 14T8/4F/8CCTS/EXT
 Où xxx signifie 824-965 qui correspond au CRI et couleur de température

LED TUBE & DRIVER INSTALLATION GUIDE – INSTALLATION STEPS / GUIDE D'INSTALLATION – ETAPES D'INSTALLATION

- 1) Read all WARNINGS before continuing this section.
- 2) Make sure POWER IS TURNED OFF at the source to the location at which you are installing the product.
- 3) Remove lens, cover and fluorescent tubes. Cut away all wires connecting the ballast and remove the ballast if necessary. (fig. 1)
- 4) Adjust the CCT select switch to proper CCT position for CCT Select Tubes. (fig. 2)
- 5) Attach the LED driver to the fixture using existing ballast mounting holes and screws if present. If necessary, use self-tapping screws to create new holes and mount the LED driver.
- 6) Follow wiring diagrams for number of lamps. (fig 3-10)
- 7) For 0-10V dimming circuits, connect the incoming grey or pink and purple wires to the LED driver's grey or pink and purple wires using wire nuts (not provided). If no 0-10V dimming circuit is present, cap off the grey or pink and purple wires.
- 8) Visibly affix the "Modification Sticker" to the fixture and reinstall housing cover and lens if applicable.
- 9) Return power back to the source and installation is complete.

- 1) Lisez tous les AVERTISSEMENTS avant de continuer cette section.
- 2) Assurez-vous que l'alimentation est coupée à la source à l'endroit où vous installez le produit.
- 3) Coupez tous les fils reliant le ballast et enlevez le ballast si nécessaire. (Fig. 1)
- 4) Réglez le commutateur de sélection CCT sur la position correcte du tube de sélection CCT.(fig.2)
- 5) Utilisez les trous de montage de ballast existants et les vis (le cas échéant) pour fixer le pilote LED à la fixation. Si nécessaire, utilisez des vis auto - taraudeuses pour créer de nouveaux trous et installer le pilote LED.
- 6) Suivez le schéma de câblage pour connaître le nombre de lams.(fig 3-10)
- 7) Pour les circuits de gradation 0-10V, raccorder les fils gris ou rose et violets entrants aux fils gris ou rose et violet du pilote à l'aide de connecteurs (non fournis). Si aucun circuit de gradation 0-10V n'est présent, fermez les fils gris ou rose et violet.
- 8) Apposez visiblement fermez l'"AUTOCOLLANT DE MODIFICATION" sur le luminaire et réinstallez le couvercle du boîtier et la lentille, le cas échéant.
- 9) Remettre le courant à la source et l'installation est terminée.

Fig.1



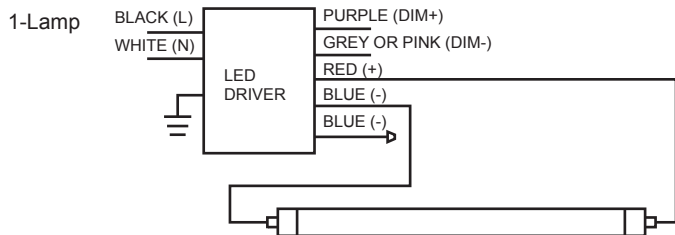
Cut all wires connecting ballast.

Fig.2



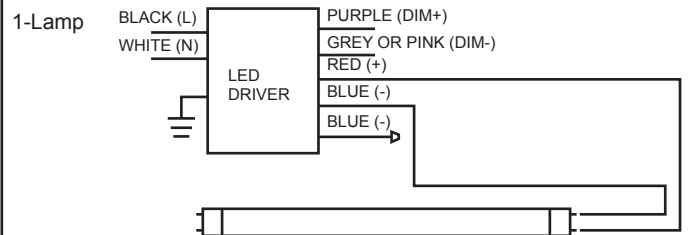
Adjust the CCT select switch to proper CCT position for CCT Select Tubes.

Fig.3 Double-ended Installation



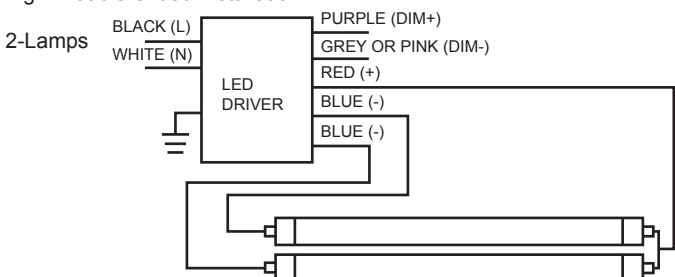
For shunted & non-shunted lamp holders
 Not polarity sensitive, lamps can be wired at either end

Fig.7 Single-ended Installation



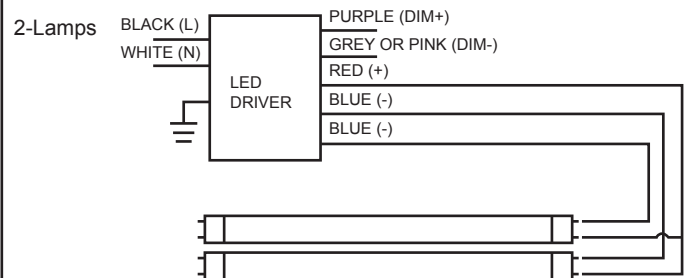
For non-shunted lamp holders only
 Not polarity sensitive, lamps can be wired at either end

Fig.4 Double-ended Installation



For shunted & non-shunted lamp holders
 Not polarity sensitive, lamps can be wired at either end

Fig.8 Single-ended Installation



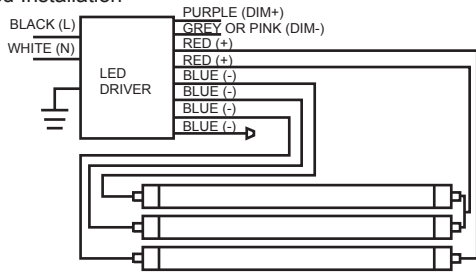
For non-shunted lamp holders only
 Not polarity sensitive, lamps can be wired at either end

For model #: 9.5T5HE/2F/xxx/EXT, 11T5HE/3F/xxx/EXT, 13.5T5HE/4F/xxx/EXT, 11.5T8/4F/xxx/EXT/R, 14T8/4F/xxx/EXT/R, 9.5T8/2F/xxx/EXT, 10.5T8/3F/xxx/EXT, 11.5T8/4F/xxx/EXT, 14T8/4F/xxx/EXT, 14.5T8U6/xxx/EXT, 15T8T5DRIVER/2CH/R, 15T8T5DRIVER/4CH/R, 15T8T5HEDRIVER/SD/2CH, 15T8T5HEDRIVER/SD/4CH, 11.5T8/4F/xxx/EXT/R, 14T8/4F/xxx/EXT/R, 9.5T8/2F/8CCCTS/EXT, 10.5T8/3F/8CCCTS/EXT, 11.5T8/4F/8CCCTS/EXT, 14T8/4F/8CCCTS/EXT
 Where xxx means 824-965 which indicates CRI and color temperature
 Pour les produits suivants: 9.5T5HE/2F/xxx/EXT, 11T5HE/3F/xxx/EXT, 13.5T5HE/4F/xxx/EXT, 11.5T8/4F/xxx/EXT/R, 14T8/4F/xxx/EXT/R, 9.5T8/2F/xxx/EXT, 10.5T8/3F/xxx/EXT, 11.5T8/4F/xxx/EXT, 14T8/4F/xxx/EXT, 14.5T8U6/xxx/EXT, 15T8T5DRIVER/2CH/R, 15T8T5DRIVER/4CH/R, 15T8T5HEDRIVER/SD/2CH, 15T8T5HEDRIVER/SD/4CH, 11.5T8/4F/xxx/EXT/R, 14T8/4F/xxx/EXT/R, 9.5T8/2F/8CCCTS/EXT, 10.5T8/3F/8CCCTS/EXT, 11.5T8/4F/8CCCTS/EXT, 14T8/4F/8CCCTS/EXT
 Où xxx signifie 824-965 qui correspond au CRI et couleur de température

LED TUBE & DRIVER INSTALLATION GUIDE – INSTALLATION STEPS / GUIDE D'INSTALLATION – ETAPES D'INSTALLATION

Fig.5 Double-ended Installation

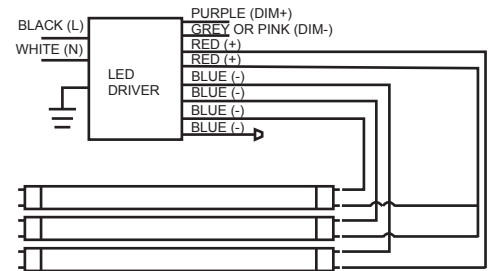
3-Lamps



For shunted & non-shunted lamp holders
 Not polarity sensitive, lamps can be wired at either end

Fig.9 Single-ended Installation

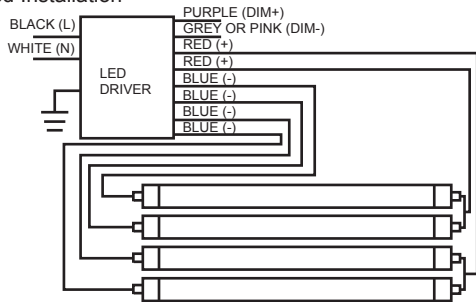
3-Lamps



For non-shunted lamp holders only
 Not polarity sensitive, lamps can be wired at either end

Fig.6 Double-ended Installation

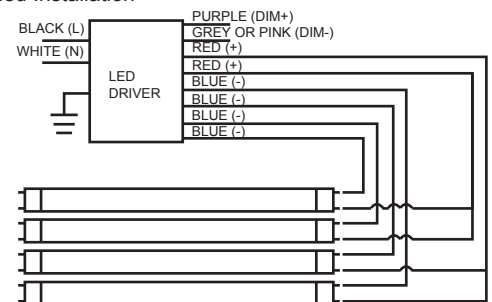
4-Lamps



For shunted & non-shunted lamp holders
 Not polarity sensitive, lamps can be wired at either end

Fig.10 Single-ended Installation

4-Lamps



For non-shunted lamp holders only
 Not polarity sensitive, lamps can be wired at either end