



GREENCREATIVE

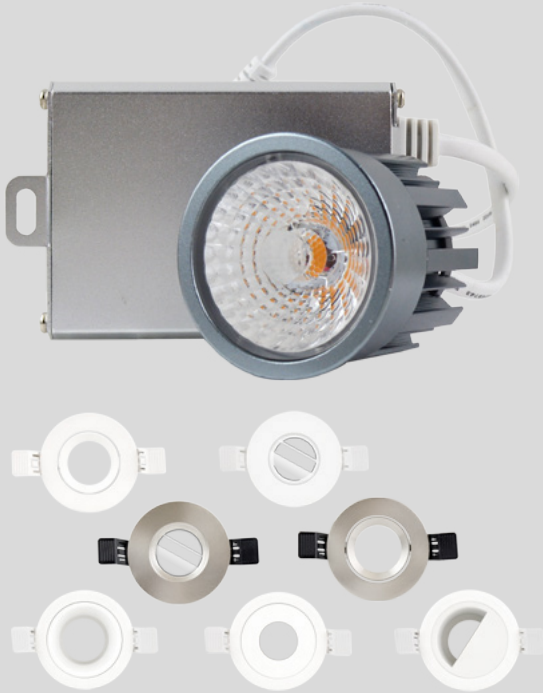
Your Partner for Professional Lighting Solutions

miniFIT
SERIES



MINIFIT GIMBALS & MINI MODULE

MINIFIT SERIES



2" MINI MODULE



1" & 2" GIMBAL

SMALL FORM FACTOR

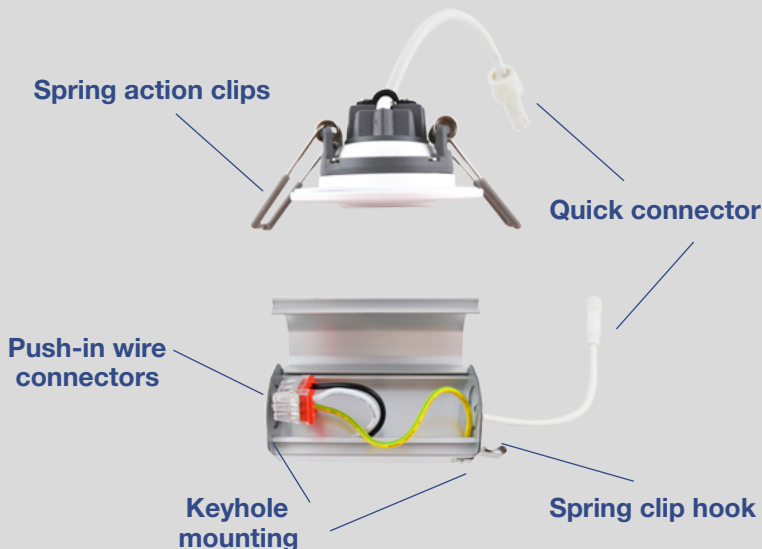
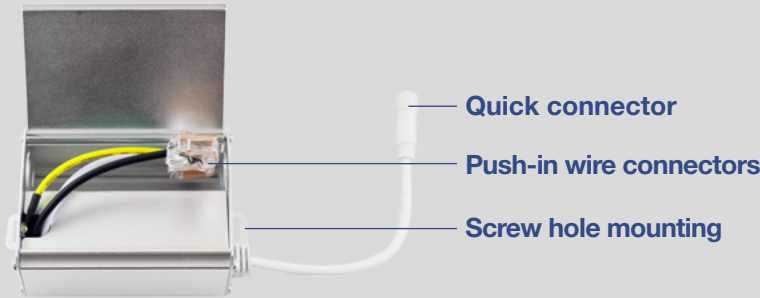
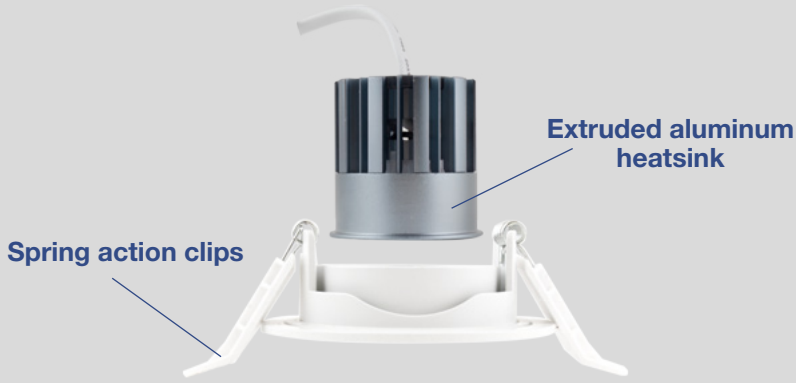
At less than two inches, the MINIFIT series of recessed fixtures pack a powerful punch from a small, shallow design. Perfectly sized for installation in casework, soffits, bulkheads and other shallow plenum applications, the 90 CRI MINIFIT series of fixtures provide the right light for your wall wash, wall grazing or highlighting needs.



FOR COMMERCIAL, RESIDENTIAL, HOSPITALITY



BENEFITS



2" MINI MODULE

EXTENSIVE TRIM SELECTION

The 2" MINIFIT modules have a variety of field interchangeable trim options to compliment many different applications. Choose between deep or flat trim, white or brushed metal finishes, and open or glass enclosed lenses. The MINIFIT 2" module adds a fresh, clean, simple look to any lighting project.

QUICK AND EASY INSTALLATION

Installing the 2" MINIFIT modules is very simple. Connect the power to the driver box. Then attach the fixture with the quick connect cord and fasten it to the ceiling securely with the spring action clips.

1" & 2" GIMBAL

ADJUSTABLE FIXTURE AIMING

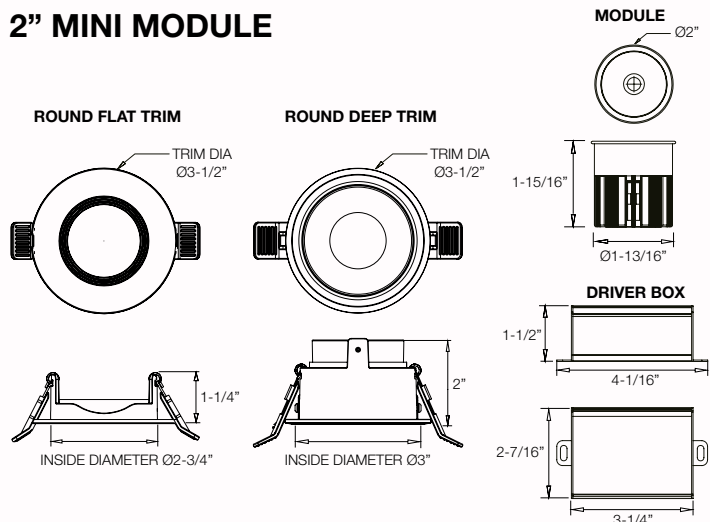
Get the right light in the right place with the miniFIT gimbals. The gimbals come with a 38° beam acrylic optic, producing a consistent, precise beam of light. In addition, they rotate 360° and tilt up to 30° so you can mount them in any orientation in the ceiling and still aim the light to graze textured walls, highlight artwork, or emphasize architectural features. Perfect for residential, retail and hospitality applications.

QUICK AND EASY INSTALLATION

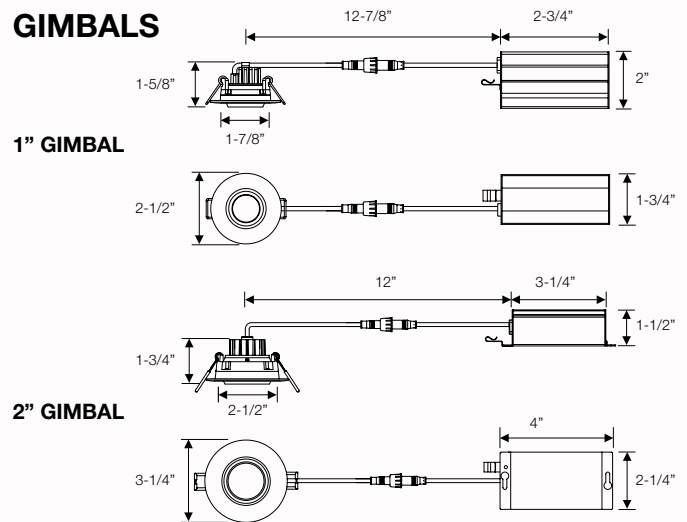
The miniFIT family is quick and easy to install. Connecting power in the external junction box is a breeze with the push in connectors. Wiring the fixture is even easier with the plenum rated quick connector. The optional new construction plates, keyhole mounting slots and spring clip hooks allow for a simple installation and compliance with local building codes. The sturdy spring action clips will keep the fixture tight to the ceiling, ensuring an aesthetically pleasing installation.

LINE DRAWINGS

2" MINI MODULE



GIMBALS



ORDERING

2" MINI MODULE

Module						Trims		
Series	Size	CRI	CCT	Beam Angle	Dimming	Trim	Style	Finish
<input checked="" type="checkbox"/> MM Mini Module	<input checked="" type="checkbox"/> 2 2" 780lm	<input checked="" type="checkbox"/> 90 CRI90	<input type="checkbox"/> 27 2700K	<input checked="" type="checkbox"/> FL Flood 38°	<input checked="" type="checkbox"/> DIM120 120V - Line voltage dimming	<input checked="" type="checkbox"/> MM2T MM2 Trim	<input type="checkbox"/> RFT/OP Round Flat - Open	<input type="checkbox"/> WH White
			<input type="checkbox"/> 30 3000K				<input type="checkbox"/> RFT/GL Round Flat - Glass Cover	<input type="checkbox"/> BM* Brushed Metal
			<input type="checkbox"/> 40 4000K				<input type="checkbox"/> RDT/OP Round Deep - Open	
			<input type="checkbox"/> 50 5000K				<input type="checkbox"/> RDT/PN Round Deep - Pinhole	
							<input type="checkbox"/> RDT/WW Round Deep - Wall Wash	

*Brushed Metal finish is only available for Round Flat trims.

**A complete fixture consists of one module and trims, ordered separately.

ACCESSORY ORDERING INFORMATION

Product	Model	Description	Picture	Dimensions
98589	MM2NCPLATE	MINIFIT 2" Module New Construction Plate for Stud / Joist mounting		6-1/2" x 13-1/4"

GIMBALS

Series	Size	CRI	CCT	Beam Angle	Dimming
<input checked="" type="checkbox"/> GIMB GIMBAL	<input type="checkbox"/> 1 1" 400lm	<input checked="" type="checkbox"/> 9 CRI 90	<input type="checkbox"/> 27 2700K	<input checked="" type="checkbox"/> FL Flood 38°	<input checked="" type="checkbox"/> DIM120 120V - Line voltage dimming
	<input type="checkbox"/> 2 2" 600lm		<input type="checkbox"/> 30 3000K		
			<input type="checkbox"/> 40 4000K		

ACCESSORY ORDERING INFORMATION

Product	Model	Description	Picture	Dimensions
98584	GIMB1NCPLATE	Gimbal 1" New Construction Plate for Stud / Joist mounting		6-7/16" x 13-5/16"
98585	GIMB2NCPLATE	Gimbal 2" New Construction Plate for Stud / Joist mounting		6-7/16" x 13-5/16"