

LED STRIP QWIKLINK CABLE INSTALLATION GUIDE - WARNING

- WARNING** – Read all product labels and instructions before installing fixture.
- WARNING** – Risk of fire or electric shock. The electrical rating of these products is 120-277VAC, the installer must determine whether they have 120-277V at the luminaire before installation.
- WARNING** – Risk of fire or electric shock. Luminaire wiring and electrical parts may be damaged when drilling for installation of LED Strip. Check for enclosed wiring and components.
- WARNING** – Risk of fire or electric shock. LED Strip installation requires knowledge of luminaires electrical systems. Installation should be performed only by a qualified electrician in accordance with the National Electrical Code and relevant local code.
- WARNING** – Risk of fire or electric shock. Install this Strip only in ceilings that have the construction features and dimensions shown in the photographs and/or drawings.
- WARNING** – Only those open holes indicated in the photographs and/or drawings may be made or altered as a result of Strip installation. Do not leave any other open holes in an enclosure of wiring electrical components.
- WARNING** – Do not make or alter any open holes in an enclosure of wiring or electrical components during Strip installation.
- WARNING** – To prevent wiring damage or abrasion, do not expose wiring to edges of sheet metal or other sharp objects.
- WARNING** – INSTALLATION SHOULD ONLY BE PERFORMED AFTER POWER TO THE FIXTURE HAS BEEN DISCONNECTED.
- Disconnect power at the source before installation, inspection or removal.
 - Do not use if product is damaged.
 - Do not alter, relocate, or remove wiring, lampholders, power supply, or any other electrical component.
 - Do not use abrasive materials, glass cleaners or other solvents on cover plate or lens. Use of these substances may damage fixture. To clean the faceplate, use a mild soap solution.
 - This product must be installed in accordance with the applicable installation code by a person familiar with the construction and operation of the product and the hazards involved.
 - Suitable for damp or dry locations only.

LED STRIP QWIKLINK CABLE INSTALLATION

For use with fixtures spaced up to 5' apart

1. Make sure the POWER IS TURNED OFF at the source to the location at which you are installing the product.
1. Remove the QWIKLINK socket cover from the end of each fixture that will be connected. (fig. 1)
2. Follow installation and wiring instructions provided with Strip fixtures. The end of each fixture is marked with either A or B. When connecting multiple fixtures make sure the end marked A connects to an end marked B and vice versa. Do not connect A to A or B to B. (fig. 2)
3. Plug the QWIKLINK cable into each fixture's socket. Make sure the end of the cable marked A connects with a socket marked B and vice versa. (fig. 3)
4. Return power back to the source and installation is complete.

fig. 1

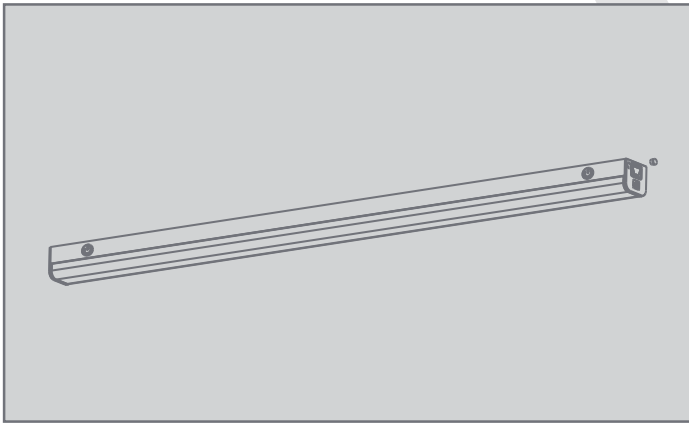


fig. 2

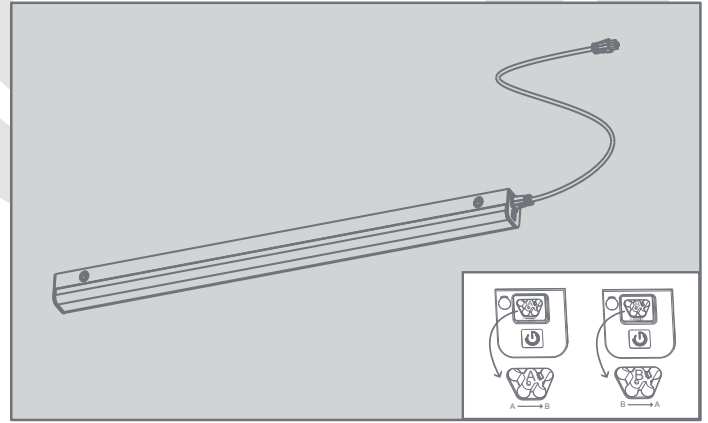


fig. 3

