

CLICK WITH PIR SENSOR



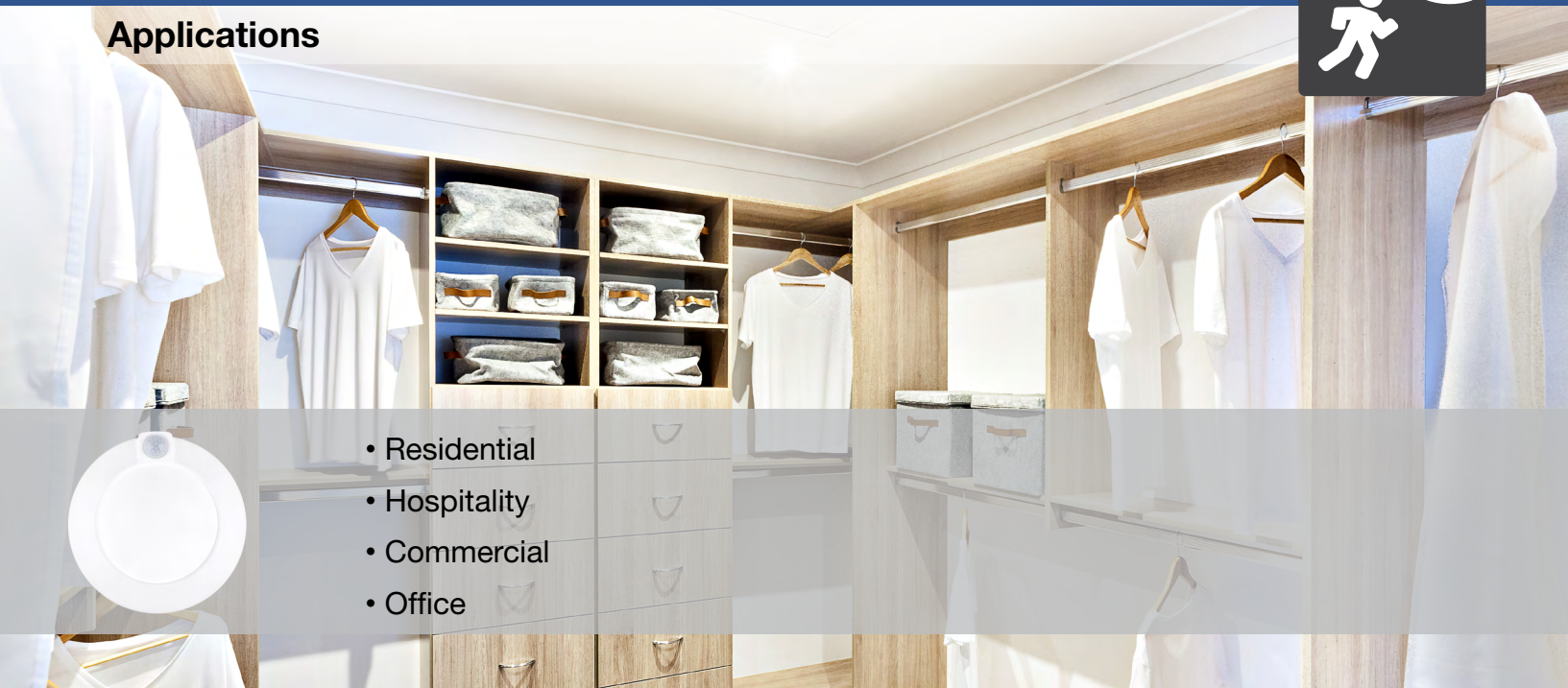
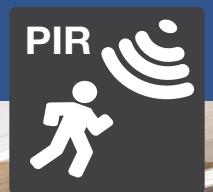
FEATURES

- Fixture integrated PIR motion sensor automatically turns off fixture after 10 minutes of inactivity
- Eliminates the need to external PIR sensor
- Fits most industry standard 4" J-boxes
- Up to 620 lumens delivered
- 2700K, 3000K and 4000K CCT, 90 CRI
- Quick and easy installation
- Wet location and Air-tight rated.
- California Title 24 Compliant
- ETL listed
- Energy Star® certified
- Rated L70 lifetime of 50,000 hours
- 5 year warranty

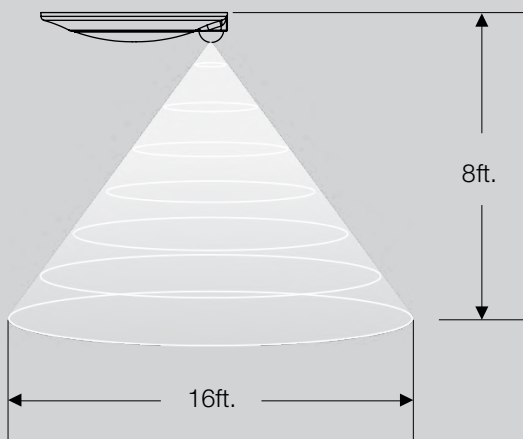


Applications

- Residential
- Hospitality
- Commercial
- Office



BENEFITS

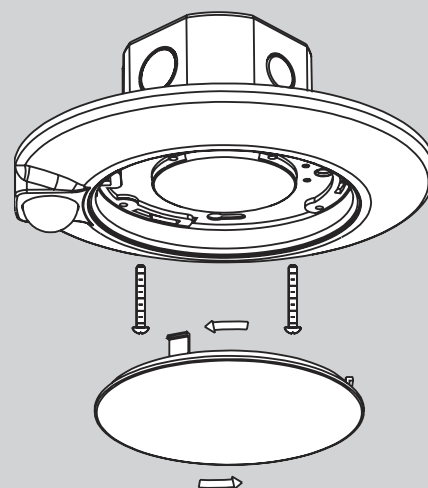


INTEGRATED PIR SENSOR

The CLICK features a fixture integrated PIR motion sensor. The PIR coverage area is a 16' radius from a standard 8' mounting height. The fixture will turn on during occupancy detection and remain on for 10 minutes after vacancy is detected. Ideal, for laundry rooms, utility rooms, garages, storage rooms, closets or hallways.

QUICK AND EASY INSTALLATION

The CLICK with PIR sensor installs in industry standard 4" J-boxes. Connect the incoming power to the back of the fixture. Remove the fixture lens and screw the fixture to the J-box with the provided hardware. Reattach the lens and you are good to go with your new sensor integrated, surface mount CLICK.



ORDERING

Series	Size	Time Delay	CRI	CCT	Dimming	
<input checked="" type="checkbox"/> CLKSEN Click with PIR Motion sensor	<input type="checkbox"/> 6 6" 600lm	<input type="checkbox"/> 10MIN 10 Minutes	<input checked="" type="checkbox"/> 9 CRI 90	<input type="checkbox"/> 27 2700K	<input checked="" type="checkbox"/> DIM120V 120V - 50/60 Hz	
			<input type="checkbox"/> 30 3000K			
			<input type="checkbox"/> 40 4000K			
CCT	2700K		3000K		4000K	
Model	Lm	LPW	Lm	LPW	Lm	LPW
CLKSEN6/10MIN/9XX/120V	600	60	600	60	620	62

