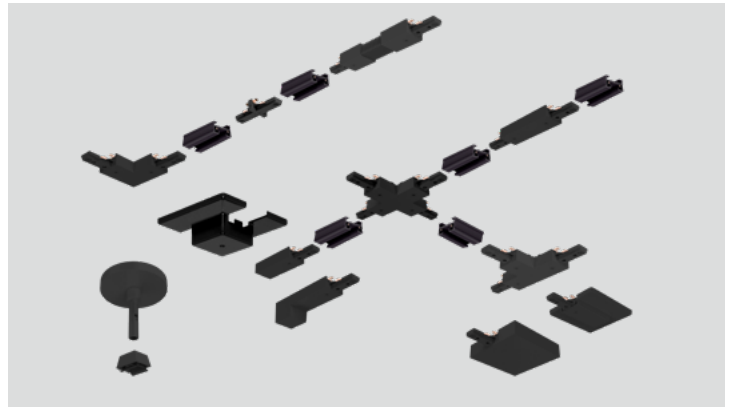


Project Name:	Type:
Part Number:	Date:

SINGLE CIRCUIT J-TYPE TRACK SYSTEM

SPECIFICATION FEATURES

- Mechanical** - Extruded aluminum, I-beam construction for strength and rigidity in pendant or suspended applications. One-piece integrated thermoplastic insulator. Two 12 gauge solid copper conductors. One injection molded polycarbonate dead-end with set screw provided with each track section. Stainless steel toggle bolts included with each track section for surface mount installation. Field-cutable for custom lengths. Comes in White, Black or Silver finish.
- Electrical** - Rated for 20A at 120V, 60Hz. Maximum power rating is 2.4kW. NEC allows 80% of full capacity or 1.92kW. Mechanical polarity with a visual indicator simplifies installation, mounting and proper connection.
- Compliance and Warranty** - All track and track components are cULus listed for dry location. RoHS-compliant. Compatible with GREEN CREATIVE track fixture, Single Circuit, J-type adapter. 1 year parts warranty for complete system.



DIGITAL NAVIGATION Explore the spec sheet through the links below

POWER FEEDS	CONNECTORS
COVER PLATE	MOUNTING AND SUSPENSION
EXAMPLE OF TRACK SYSTEM INSTALLATION	
PARTS ORDERING GUIDE	

BENEFITS

- GREEN CREATIVE Single Circuit J-Type Track System is compatible with all GREEN CREATIVE Track Fixtures with J-type adapter.
- Compatible with a full range of feed and connector to complete virtually any configuration.
- A full set of mounting accessories are available for surface or pendant mounting to fit any type of ceiling.

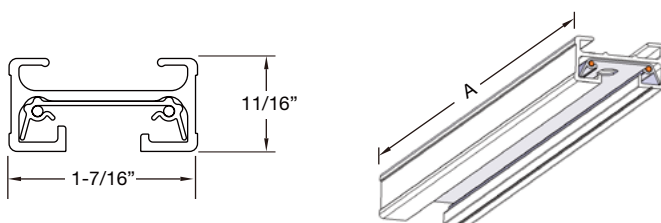
SUITABLE APPLICATIONS

- Retail
- Commercial
- Museum and Art Galleries
- Showrooms
- Residential

ORDERING GUIDE

PART #	Example: TRKJ/24/1C/WH		
Series	Length	Circuit	Finish
TRKJ Track J-type	24 24in. (2ft) Length	1C Single Circuit	BL Black
	48 48in. (4ft) Length		WH White
	96 96in. (8ft) Length		SV Silver

LINE DRAWINGS



Nominal Length	Exact Length
24in. / 2ft.	20-1/8"
48in. / 4ft.	44-1/8"
96in. / 8ft.	92-1/8"

Note: All rights reserved. All sizes and specifications are subject to change at any time without notice.



SINGLE CIRCUIT J-TYPE TRACK SYSTEM

SINGLE CIRCUIT J-TYPE TRACK SYSTEM - POWER FEEDS

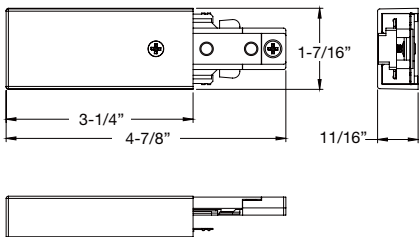
Top Access End Feed:

Ordering example: **TRKJ/ENDF/1C/WH**

For direct wiring through ceiling with junction box or end feed in suspension, cover plate is required over junction box. Accepts 3/8" or 1/2" (trade size) electrical fittings.



Series	Type	Circuit	Finish
TRKJ Track J-type	ENDF Live End Feed	1C Single Circuit	BL Black
			WH White
			SV Silver



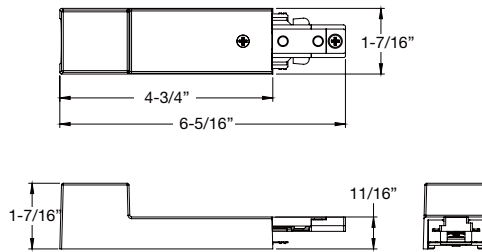
Surface Conduit End Feed:

Ordering example: **TRKJ/SCF/1C/WH**

For surface conduit wiring. Accepts 3/8" or 1/2" (trade size) electrical fittings.



Series	Type	Circuit	Finish
TRKJ Track J-type	SCF Surface Conduit Feed	1C Single Circuit	BL Black
			WH White
			SV Silver



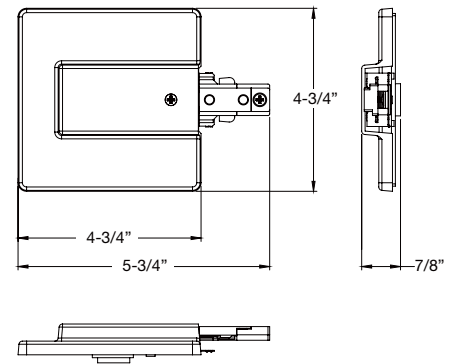
End Feed with Cover:

Ordering example: **TRKJ/ENDFCOV/1C/WH**

For Wiring through junction box, located at one end of the track section. Built-in junction box cover.



Series	Type	Circuit	Finish
TRKJ Track J-type	ENDFCOV End Feed with Cover	1C Single Circuit	BL Black
			WH White
			SV Silver



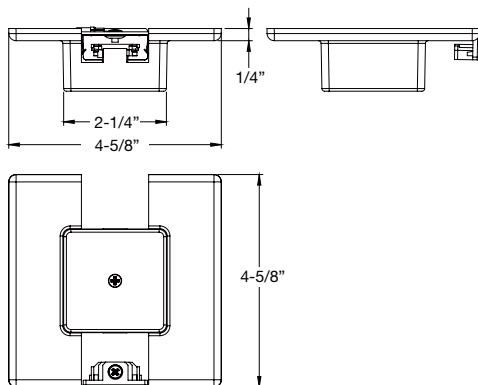
Floating Canopy Feed:

Ordering example: **TRKJ/FCPY/1C/WH**

For wiring through junction box. Can be located anywhere along track section.



Series	Type	Circuit	Finish
TRKJ Track J-type	FCPY Floating Canopy Feed	1C Single Circuit	BL Black
			WH White
			SV Silver



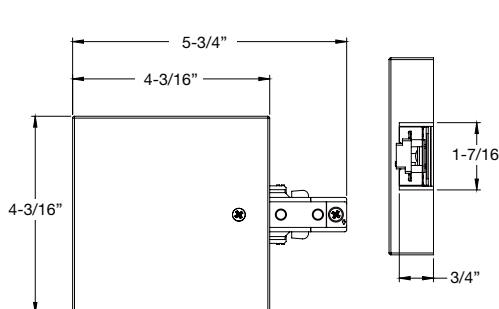
T-Bar End Feed:

Ordering example: **TRKJ/TBENDF/1C/WH**

Direct wiring through ceiling tile with junction box when T-Bar is directly above track. Accepts 3/8" or 1/2" (trade size) electrical fittings.



Series	Type	Circuit	Finish
TRKJ Track J-type	TBENDF T-Bar End Feed	1C Single Circuit	BL Black
			WH White
			SV Silver



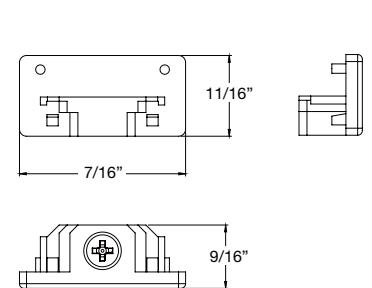
End Cap:

Ordering example: **TRKJ/END/1C/WH**

Covers end of track section. One included with each track section.



Series	Type	Circuit	Finish
TRKJ Track J-type	END End Cap	1C Single Circuit	BL Black
			WH White
			SV Silver



Note: All rights reserved. All sizes and specifications are subject to change at any time without notice.



SINGLE CIRCUIT J-TYPE TRACK SYSTEM

SINGLE CIRCUIT J-TYPE TRACK SYSTEM - CONNECTORS

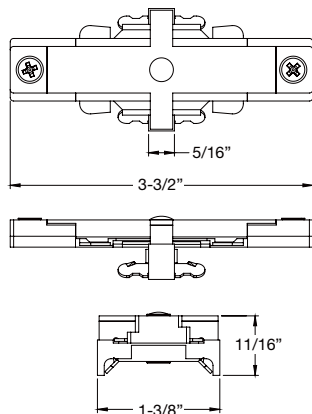
Mini I Connector:

Ordering example: TRKJ/MIC/1C/BL

Connects two track sections end to end. Low profile design for a clean continuous run. Cannot be used as feed point.



Series	Type	Circuit	Finish
TRKJ Track J-type	MIC Mini I Connector	1C Single Circuit	BL Black
			WH White
			SV Silver



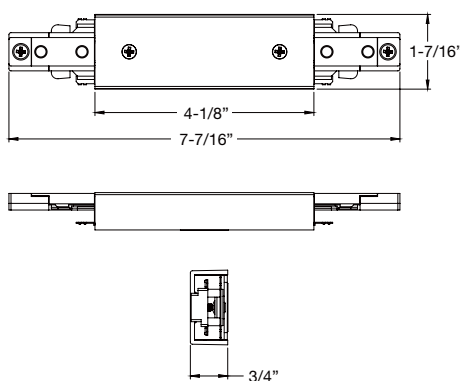
I Connector:

Ordering example: TRKJ/IC/1C/BL

Connects two track sections end to end. May be used as feed point, cover plate is required over junction box.



Series	Type	Circuit	Finish
TRKJ Track J-type	IC I Connector	1C Single Circuit	BL Black
			WH White
			SV Silver



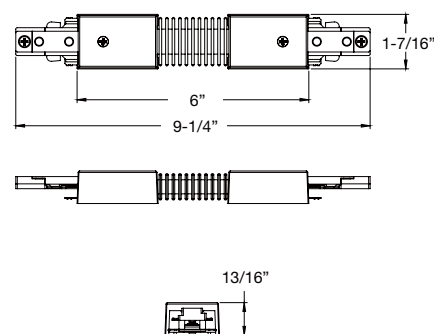
I Flexible Connector:

Ordering example: TRKJ/IFC/1C/BL

Connects two track sections end to end. May be used as feed point, cover plate is required over junction box.



Series	Type	Circuit	Finish
TRKJ Track J-type	IFC I Flex Connector	1C Single Circuit	BL Black
			WH White
			SV Silver



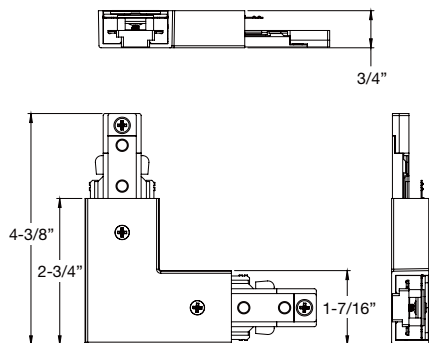
L Connector:

Ordering example: TRKJ/LC/1C/BL

Connects two track sections end to end in a 90° angle configuration. May be used as feed point, cover plate is required over junction box.



Series	Type	Circuit	Finish
TRKJ Track J-type	LC L Connector	1C Single Circuit	BL Black
			WH White
			SV Silver



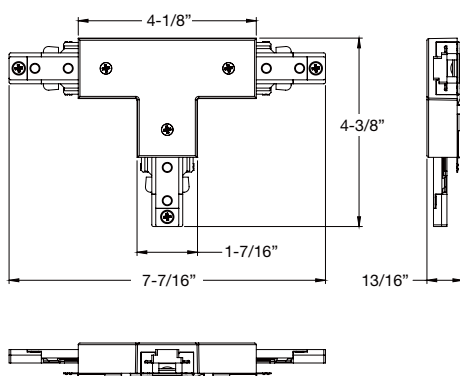
T Connector:

Ordering example: TRKJ/TC/1C/BL

Connects three track sections in a T shape configuration. Reverse polarity available ("R"). May be used as feed point, cover plate is required over junction box.



Series	Type	Circuit	Finish
TRKJ Track J-type	TC T Connector	1C Single Circuit	BL Black
			WH White
	TCR T Connector Reverse Polarity		SV Silver



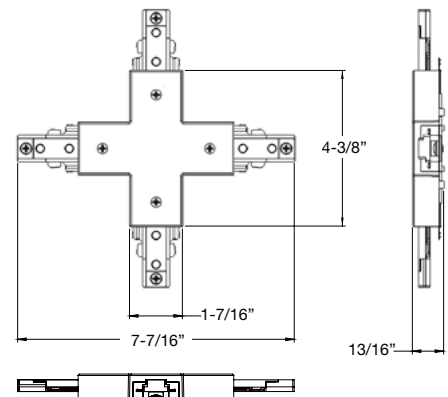
X Connector:

Ordering example: TRKJ/XC/1C/BL

Connects four track sections in an X configuration. Factory wired for two separate 90° runs. May be field wired for one run. May be used as feed point, cover plate is required over junction box.



Series	Type	Circuit	Finish
TRKJ Track J-type	XC X Connector	1C Single Circuit	BL Black
			WH White
			SV Silver



Note: All rights reserved. All sizes and specifications are subject to change at any time without notice.



SINGLE CIRCUIT J-TYPE TRACK SYSTEM

SINGLE CIRCUIT J-TYPE TRACK SYSTEM - COVER PLATE

Square Cover Plate:

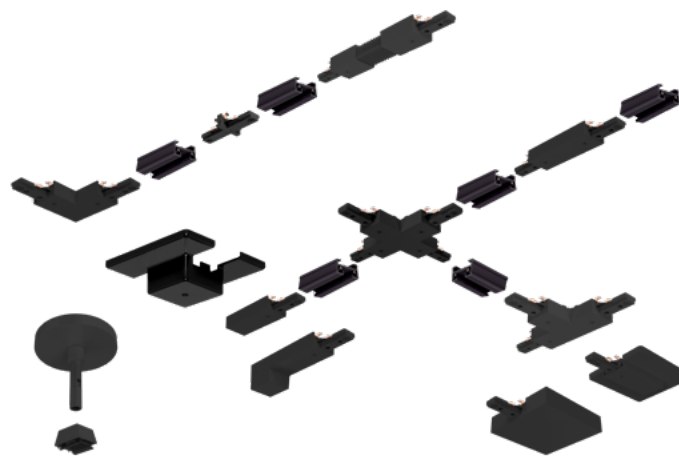
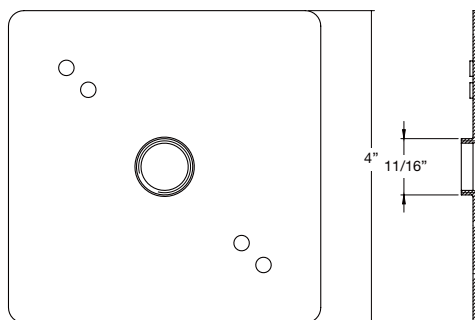
Ordering example: TRK/COVPLATE/BL

Square Cover Plate with threaded center access hole. Includes ground washer, threaded nipple and nut. For use with I, L, T and X connectors.

Covers standard 4" octagonal J-Box.



Series	Type	Finish
TRK Track	COVPLATE Square cover plate	BL Black
		WH White
		SV Silver



SINGLE CIRCUIT J-TYPE TRACK SYSTEM - MOUNTING AND SUSPENSION

Suspension Canopy:

Ordering example: TRK/STCPY/BL

Suspend track from ceiling or junction box. Includes canopy and track bracket. Stem not included. Suspension stem available to be ordered separately.



Series	Type	Finish
TRK Track	STCPY Stem Canopy	BL Black
		WH White
		SV Silver

Slope Ceiling Canopy:

Ordering example: TRK/STEMSLOPECPY/BL

Suspend track from slope ceiling or junction box. Includes canopy, swivel adapter and track bracket. Stem not included. Suspension stem available to be ordered separately.



Series	Type	Finish
TRK Track	STEMSLOPECPY Stem Slope Ceiling Canopy	BL Black
		WH White
		SV Silver

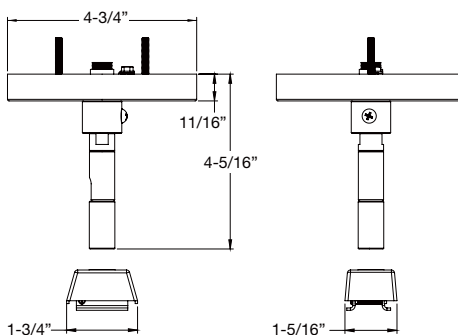
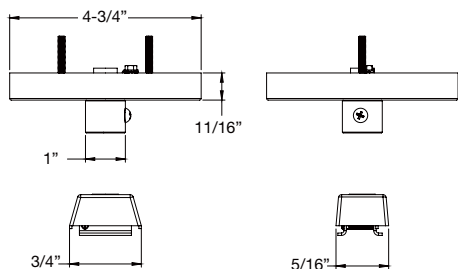
Stem:

Ordering example: STEM/1-4/12/BL

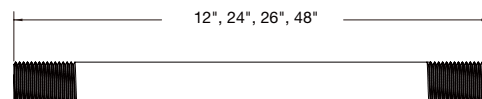
1/4" IPS Suspension Stems (Iron Pipe Standard). 1/2" O.D. 3/4" x 3/4" Threaded at each end. 18 Threads per Inch, 16 Gauge. May be extended using stem coupling.



Series	IPS	Type	Finish
STEM	1-4 1/4" IPS	12 12" long	BL Black
		24 24" long	WH White
		36 36" long	SV* Silver
		48 48" long	



*Silver stem coupling might be subjected to longer lead time, please contact us for lead time inquiry.





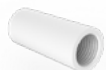
SINGLE CIRCUIT J-TYPE TRACK SYSTEM

SINGLE CIRCUIT J-TYPE TRACK SYSTEM - MOUNTING AND SUSPENSION

Stem Coupling:

Ordering example: **STEM1-4/COUPLING/BL**

Connects two suspension 1-4 IPS stems to extend the drop.



Wire Way Cover:

Ordering example: **TRK/SWIRCOV/BL**

Conceals electrical feed wire from stem to end feed.



T-Bar Mounting Clip:

Ordering example: **TRK/TBMOUNTCLIP**

Slide-on Type T-Bar Mounting Clip for flush tile ceiling. Use two for 2ft or 4ft section. Use 3 for 8ft.

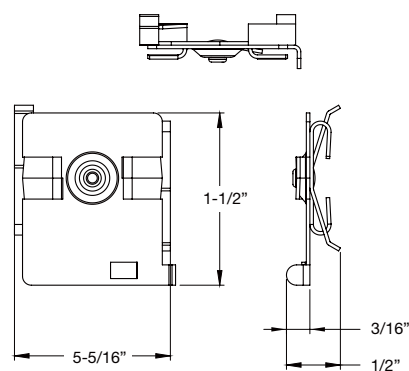
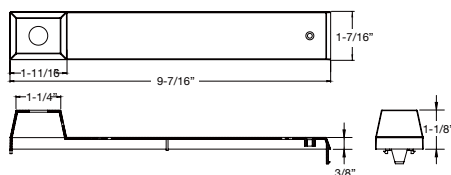
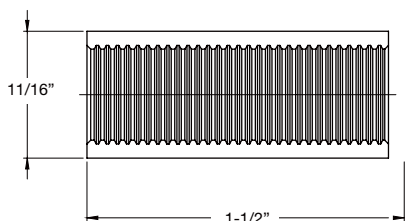


Series	Type	Finish
STEM1-4 1/4" IPS Stem	COUPLING Coupling Extender	BL Black
		WH White
		SV Silver

Series	Type	Finish
TRK Track	SWIRCOV Wire Way Cover	BL Black
		WH White
		SV Silver

Series	Type
TRK Track	TBMOUNTCLIP Slide-on T-bar mounting clip

*Silver stem coupling might be subjected to longer lead time, please contact us for lead time inquiry.

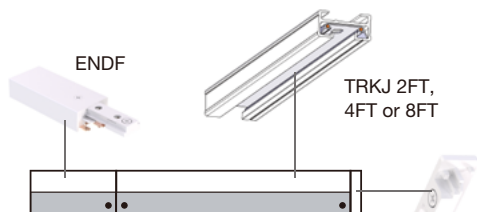


EXAMPLE OF TRACK SYSTEM INSTALLATION (TOP PLAN VIEW)

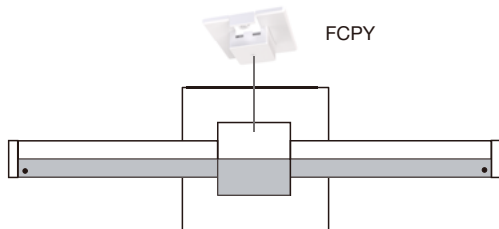
Shaded area: Hot side of track system

: Straight section of track (TRKJ/xx/1C/yy)

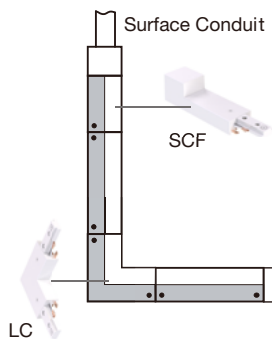
: End Cap of track section (TRKJ/END/1C/yy)



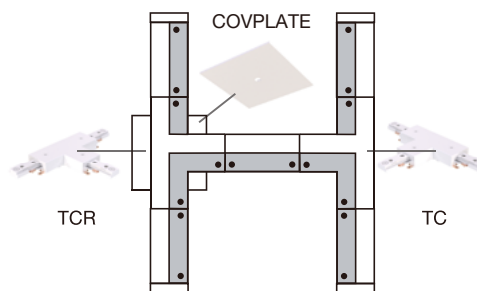
Linear run with end feed connection



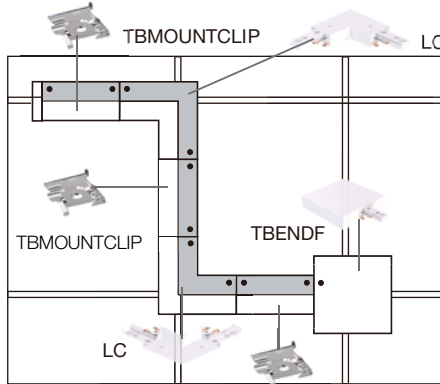
Linear run connection with middle connection through Jbox



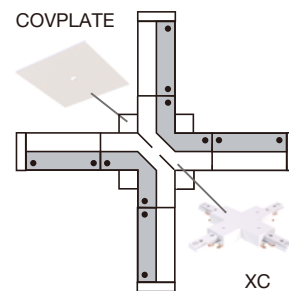
L type run with surface conduit connection



H type run connection from T connector



S type run with T-bar ceiling end feed



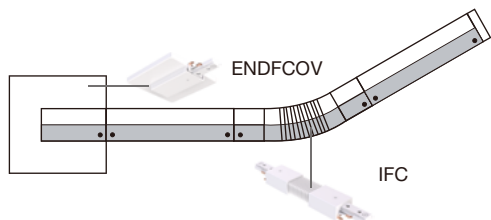
Cross type run with connection from X connector

Note: All rights reserved. All sizes and specifications are subject to change at any time without notice.

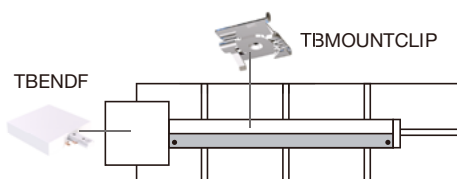


SINGLE CIRCUIT J-TYPE TRACK SYSTEM

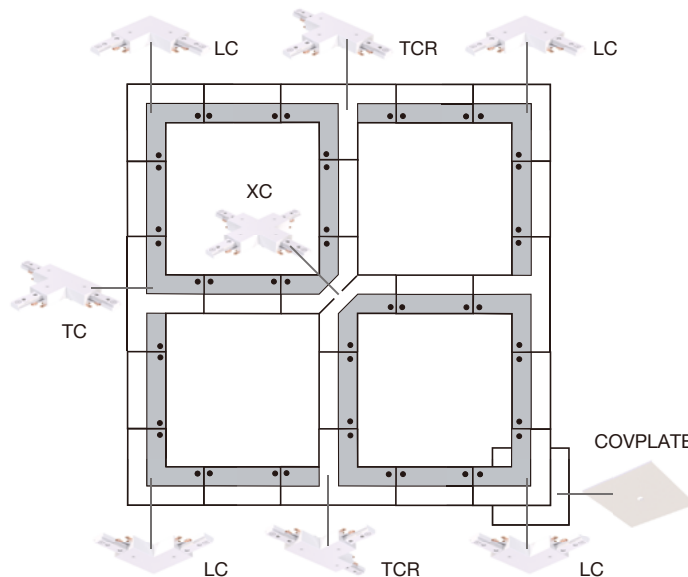
EXAMPLE OF TRACK SYSTEM INSTALLATION (TOP PLAN VIEW)



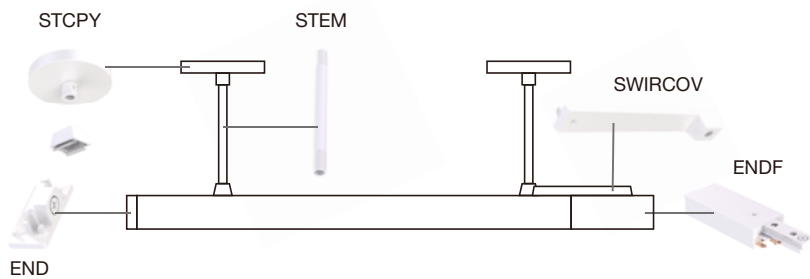
Curved run with surface J-box connection



Linear run with T-Bar ceiling end feed



Loop type run with connection from L connector



Pendant Mount Installation - Straight Ceiling (side view)



Pendant Mount Installation - Slope Ceiling (front side view)



SINGLE CIRCUIT J-TYPE TRACK SYSTEM

PARTS ORDERING GUIDE			
Product	Model	Description	Pictures
35716	TRKJ/24/1C/WH	24" Single Circuit J-Type Track, White	
35719	TRKJ/48/1C/WH	48" Single Circuit J-Type Track, White	
35725	TRKJ/96/1C/WH	96" Single Circuit J-Type Track, White	
35717	TRKJ/24/1C/BL	24" Single Circuit J-Type Track, Black	
35720	TRKJ/48/1C/BL	48" Single Circuit J-Type Track, Black	
35726	TRKJ/96/1C/BL	96" Single Circuit J-Type Track, Black	
35718	TRKJ/24/1C/SV	24" Single Circuit J-Type Track, Silver	
35721	TRKJ/48/1C/SV	48" Single Circuit J-Type Track, Silver	
35727	TRKJ/96/1C/SV	96" Single Circuit J-Type Track, Silver	
35728	TRKJ/MIC/1C/WH	Single Circuit J-Type Track Mini-I Connector, White	
35729	TRKJ/MIC/1C/BL	Single Circuit J-Type Track Mini-I Connector, Black	
35730	TRKJ/MIC/1C/SV	Single Circuit J-Type Track Mini-I Connector, Silver	
35731	TRKJ/IC/1C/WH	Single Circuit J-Type Track I Connector, White	
35732	TRKJ/IC/1C/BL	Single Circuit J-Type Track I Connector, Black	
35733	TRKJ/IC/1C/SV	Single Circuit J-Type Track I Connector, Silver	
35755	TRKJ/IFC/1C/WH	Single Circuit J-Type Track Flexible I Connector, White	
35756	TRKJ/IFC/1C/BL	Single Circuit J-Type Track Flexible I Connector, Black	
35757	TRKJ/IFC/1C/SV	Single Circuit J-Type Track Flexible I Connector, Silver	
35734	TRKJ/LC/1C/WH	Single Circuit J-Type Track L Connector, White	
35735	TRKJ/LC/1C/BL	Single Circuit J-Type Track L Connector, Black	
35736	TRKJ/LC/1C/SV	Single Circuit J-Type Track L Connector, Silver	
35737	TRKJ/TC/1C/WH	Single Circuit J-Type Track T Connector, White	
35738	TRKJ/TC/1C/BL	Single Circuit J-Type Track T Connector, Black	
35739	TRKJ/TC/1C/SV	Single Circuit J-Type Track T Connector, Silver	
35740	TRKJ/TCR/1C/WH	Single Circuit J-Type Track Reverse T Connector, White	
35741	TRKJ/TCR/1C/BL	Single Circuit J-Type Track Reverse T Connector, Black	
35742	TRKJ/TCR/1C/SV	Single Circuit J-Type Track Reverse T Connector, Silver	
35743	TRKJ/XC/1C/WH	Single Circuit J-Type Track X Connector, White	
35744	TRKJ/XC/1C/BL	Single Circuit J-Type Track X Connector, Black	
35745	TRKJ/XC/1C/SV	Single Circuit J-Type Track X Connector, Silver	
35746	TRKJ/FCPY/1C/WH	Single Circuit J-Type Floating Canopy Feed, White	
35747	TRKJ/FCPY/1C/BL	Single Circuit J-Type Floating Canopy Feed, Black	
35748	TRKJ/FCPY/1C/SV	Single Circuit J-Type Floating Canopy Feed, Silver	

Note: All rights reserved. All sizes and specifications are subject to change at any time without notice.







SINGLE CIRCUIT J-TYPE TRACK SYSTEM

PARTS ORDERING GUIDE			
Product	Model	Description	Pictures
35749	TRKJ/SCF/1C/WH	Single Circuit J-Type Surface Conduit Feed, White	
35750	TRKJ/SCF/1C/BL	Single Circuit J-Type Surface Conduit Feed, Black	
35751	TRKJ/SCF/1C/SV	Single Circuit J-Type Surface Conduit Feed, Silver	
35761	TRKJ/ENDF/1C/WH	Single Circuit J-Type End Feed, White	
35762	TRKJ/ENDF/1C/BL	Single Circuit J-Type End Feed, Black	
35763	TRKJ/ENDF/1C/SV	Single Circuit J-Type End Feed, Silver	
35846	TRKJ/ENDFCOV/1C/WH	Single Circuit J-Type End Feed w/Cover, White	
35847	TRKJ/ENDFCOV/1C/BL	Single Circuit J-Type End Feed w/Cover, Black	
35848	TRKJ/ENDFCOV/1C/SV	Single Circuit J-Type End Feed w/Cover, Silver	
35852	TRKJ/TBENDF/1C/WH	Single Circuit J-Type T-Bar End Feed, White	
35853	TRKJ/TBENDF/1C/BL	Single Circuit J-Type T-Bar End Feed, Black	
35854	TRKJ/TBENDF/1C/SV	Single Circuit J-Type T-Bar End Feed, Silver	
35831	TRK/COVPLATE/WH	Single Circuit J-Type Cover Plate, White For use with L, T & X Connectors.	
35832	TRK/COVPLATE/BL	Single Circuit J-Type Cover Plate, Black For use with L, T & X Connectors.	
35833	TRK/COVPLATE/SV	Single Circuit J-Type Cover Plate, Silver For use with L, T & X Connectors.	
35758	TRKJ/END/1C/WH	Single Circuit J-Type End Cap, White	
35759	TRKJ/END/1C/BL	Single Circuit J-Type End Cap, Black	
35760	TRKJ/END/1C/SV	Single Circuit J-Type End Cap, Silver	
35864	TRK/TBMOUNTCLIP	T-Bar Mounting Clip	
35858	TRK/SWIRCOV/WH	Wireway Cover for Stem Mount, White	
35859	TRK/SWIRCOV/BL	Wireway Cover for Stem Mount, Black	
35860	TRK/SWIRCOV/SV	Wireway Cover for Stem Mount, Silver	
35861	TRK/STCPY/WH	Stem Mount Canopy Kit, White	
35862	TRK/STCPY/BL	Stem Mount Canopy Kit, Black	
35863	TRK/STCPY/SV	Stem Mount Canopy Kit, Silver	
35865	TRK/STEMSLOPECPY/WH	Sloped Ceiling Stem Mount Canopy Kit, White	
35866	TRK/STEMSLOPECPY/BL	Sloped Ceiling Stem Mount Canopy Kit, Black	
35867	TRK/STEMSLOPECPY/SV	Sloped Ceiling Stem Mount Canopy Kit, Silver	
35868	STEM1-4/COUPLING/WH	1/4" IPS Stem Coupling, White	
35869	STEM1-4/COUPLING/BL	1/4" IPS Stem Coupling, Black	
35870	STEM1-4/COUPLING/SV	1/4" IPS Stem Coupling, Silver	

Note: All rights reserved. All sizes and specifications are subject to change at any time without notice.



SINGLE CIRCUIT J-TYPE TRACK SYSTEM

PARTS ORDERING GUIDE			
Product	Model	Description	Pictures
35943	STEM1-4/12/WH	12" Long -- 1/4" IPS Stem, White	
35944	STEM1-4/12/BL	12" Long -- 1/4" IPS Stem, Black	
35945	STEM1-4/12/SV	12" Long -- 1/4" IPS Stem, Silver	
35946	STEM1-4/24/WH	24" Long -- 1/4" IPS Stem, White	
35947	STEM1-4/24/BL	24" Long -- 1/4" IPS Stem, Black	
35948	STEM1-4/24/SV	24" Long -- 1/4" IPS Stem, Silver	
35949	STEM1-4/36/WH	36" Long -- 1/4" IPS Stem, White	
35950	STEM1-4/36/BL	36" Long -- 1/4" IPS Stem, Black	
35951	STEM1-4/36/SV	36" Long -- 1/4" IPS Stem, Silver	
35952	STEM1-4/48/WH	48" Long -- 1/4" IPS Stem, White	
35953	STEM1-4/48/BL	48" Long -- 1/4" IPS Stem, Black	
35954	STEM1-4/48/SV	48" Long -- 1/4" IPS Stem, Silver	

Note: All rights reserved. All sizes and specifications are subject to change at any time without notice.