

Project Name:	Type:
Part Number:	Date:

# NOVA SERIES

## SPECIFICATION FEATURES

- **Mechanical** - Sleek, light and unobtrusive close-to-the-track design that seamlessly blends into any environment from die cast aluminum. Polycarbonate crafted lens and reflector.
- **Electrical** - Field select from 3 lumen outputs using SelectDrive technology. Universal 120V only, 50/60 Hz drivers available. 120V drivers are dimmable to 5% using TRIAC or ELV dimmers.
- **Optical** - 90° vertical aiming capability and 360° rotation. Cutting-edge technology from polycarbonate crafted lens and reflector, guaranteeing uniform lighting across expansive spaces, eliminating pesky hot spots and significantly reducing the number of fixtures required. Wide 60x90° for ensuring a perfect wide beam for top-to-bottom illumination. Featuring SelectKelvin technology with field selectable CCTs 3000/3500/4000K. Minimum 90 CRI and R9>50.
- **Thermal** - Die cast heat sink maximizes passive thermal management and achieves a calculated L70 lifetime 140,000 hours. Ambient temperature rated from -4°F to 95°F (-20°C to 35°C).
- **Adapter** - J-type is compatible with GREEN CREATIVE Track System and Juno® Track 1-circuit and 2-circuit. H-type is compatible with Halo® Track systems.
- **Compliance and Warranty** - ETL Listed for dry locations. Complies with FCC 47CFR Part 15B consumer limits for EMI/RFI emissions. 5 year warranty. DLC listed. JA8 Certified to meet CA Title 24 requirements.



040824



## BENEFITS

- Field selectable lumen output with SelectDrive technology.
- SelectKelvin technology to choose from three color temperatures ranging from 3000K to 4000K.
- Sleek, light and unobtrusive close-to-the-track design.
- Offers uniform lighting throughout large areas.
- Fully compatible with GREEN CREATIVE Track System.

## APPLICATIONS

- Vertical Surface and Shelving
- Commercial
- Retail
- Hospitality
- Education
- Libraries and museums

## ORDERING EXAMPLE

Ordering Example NOVT/9CCTS/SD/DIM120V/UNV/H/BL

## SOL TRACK ORDERING

Serie	CRI	CCT	Lumen	Driver	Adapter	Finish
<input type="checkbox"/> <b>NOVT</b> NOVA Wall Wash Track	<input type="checkbox"/> <b>9</b> 90+ CRI	<input type="checkbox"/> <b>CCTS</b> Selectable CCT 3000 / 3500 / 4000K	<input type="checkbox"/> <b>SD</b> SelectDrive 5,000 / 4,000 / 3,000lm	<input type="checkbox"/> <b>DIM120V/UNV</b> 120V, 50/60 Hz, Forward and Reverse Phase Line Voltage Dimming to 5%	<input type="checkbox"/> <b>J</b> GC and Juno type	<input type="checkbox"/> <b>WH</b> White
					<input type="checkbox"/> <b>H</b> Halo Type adapter	<input type="checkbox"/> <b>BL</b> Black
					<input type="checkbox"/> <b>L<sup>1</sup></b> Lightolier Type adapter	

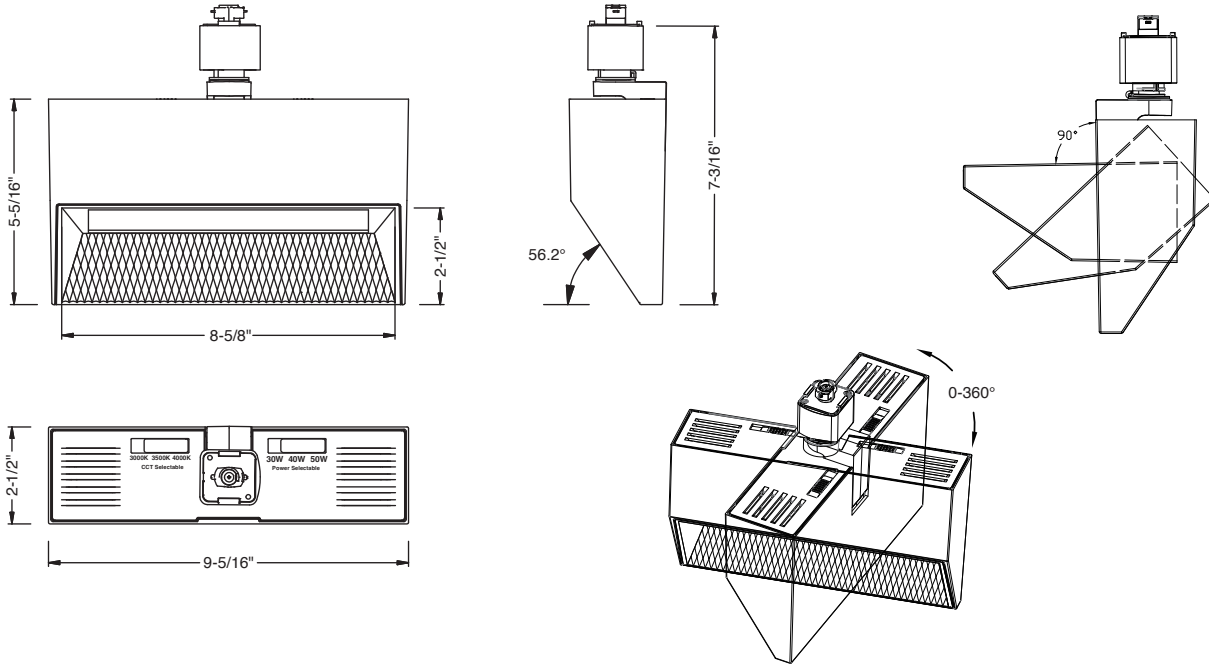
Note: Factory setting at highest lumen output and 3500K CCT.

<sup>1</sup> Non-stock item; may be subject to extended lead time and minimum order quantity. Please contact factory for details.

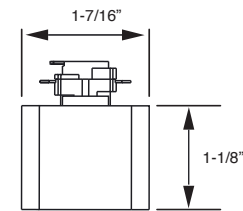


# NOVA SERIES

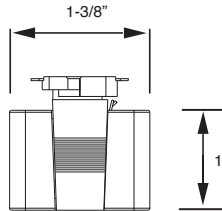
## LINE DRAWINGS



### Adapters



**H-Halo Track**  
For use with single circuit track applications



**J-Juno Track**  
For use with single and two-circuit track applications

## TECHNICAL INFORMATION

Dimming	Input Voltage	Input Frequency	Input Current	Input Power	THD	Power Factor
120V, Forward and reverse phase dimming to 5%	120V	50 / 60Hz	580mA/760mA/950mA	30/40/50W	<20%	>0.9

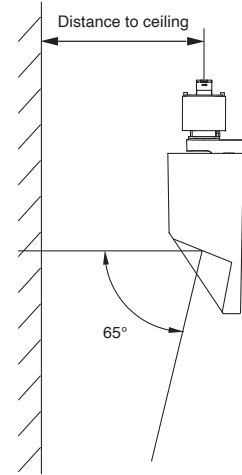
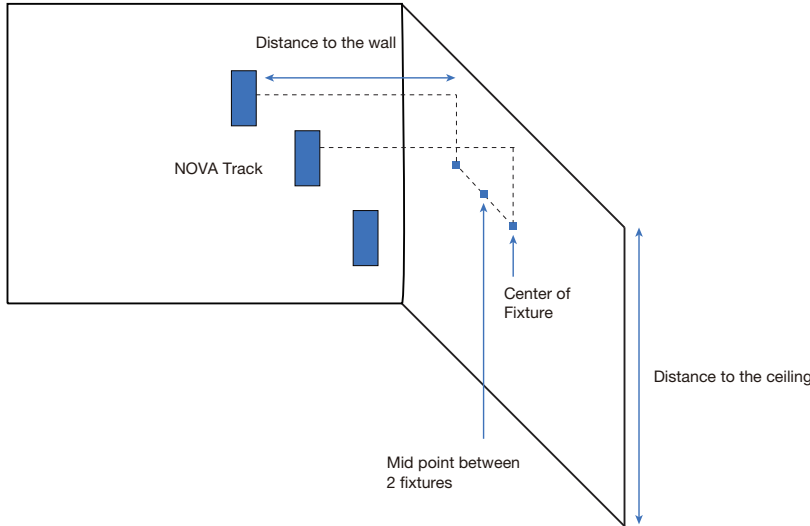
## TECHNICAL INFORMATION

Product	Wattage	3000K		3500K		4000K	
		Lumens	Efficacy	Lumens	Efficacy	Lumens	Efficacy
NOVT/9CCTS/SD/DIM120V/UNV/x/yy	30	2,700	90	3,000	100	2,850	95
	40	3,600	90	4,000	100	3,800	95
	50	4,500	90	5,000	100	4,750	95



# NOVA SERIES

## PHOTOMETRY



Track 3' from Wall 10' Mounting Height	Distance from ceiling	Single Fixture Performance						Multiple Fixture Performance Distance Between 2 Fixtures								
		Distance on the Wall from Center of the Fixture						4'			5'			6'		
		0'(fc)	1'(fc)	2'(fc)	3'(fc)	4'(fc)	5'(fc)	Mid Point	Mid Point	Mid Point	Mid Point	Mid Point	Mid Point			
1'	25	25	32	28	23	20	46	63	45	43	58	42	42	53	41	
2'	148	120	70	42	28	22	174	130	174	169	100	168	167	79	165	
3'	149	131	89	52	34	25	180	168	180	172	129	172	169	99	168	
4'	109	100	76	52	36	27	143	146	143	135	121	134	131	100	130	
5'	76	71	60	46	36	28	109	115	109	102	102	101	98	89	97	
6'	55	53	48	40	33	28	88	93	87	82	85	81	79	78	77	
7'	44	43	40	35	31	27	74	78	73	71	73	69	68	69	66	
8'	39	38	36	33	30	27	68	70	66	65	67	63	62	64	61	
9'	37	36	35	32	30	27	66	68	65	63	66	62	61	63	59	

Track 4' from Wall 10' Mounting Height	Distance from ceiling	Single Fixture Performance						Multiple Fixture Performance Distance Between 2 Fixtures								
		Distance on the Wall from Center of the Fixture						4'			5'			6'		
		0'(fc)	1'(fc)	2'(fc)	3'(fc)	4'(fc)	5'(fc)	Mid Point	Mid Point	Mid Point	Mid Point	Mid Point	Mid Point			
1'	22	22	23	24	23	21	43	45	42	41	48	40	40	47	39	
2'	42	46	40	33	28	23	69	76	68	64	70	63	62	64	61	
3'	94	85	66	47	34	26	126	124	126	120	104	119	116	88	115	
4'	85	80	67	51	38	29	121	130	121	113	114	112	109	98	107	
5'	72	68	60	48	38	30	108	117	108	101	105	100	97	94	95	
6'	59	57	51	44	37	31	95	100	94	89	93	88	84	85	83	
7'	50	48	45	40	35	30	83	88	82	79	83	77	75	77	74	
8'	44	43	41	37	33	30	77	80	75	73	76	71	70	73	68	
9'	42	41	39	36	33	30	74	76	73	71	74	69	68	71	66	

Multiplier	
3000K	0.90
3500K	1.00
4000K	0.95



# NOVA SERIES

## ORDERING GUIDE

Product	Model	Shipping Carton		
		Case Qty	Case Dimensions (LxWxH)	Case Weight
37962	NOVT/9CCTS/SD/DIM120V/UNV/J/BL	4PCS	22-7/16" x 10-7/16" x 8-11/16"	17.4 lb
37960	NOVT/9CCTS/SD/DIM120V/UNV/J/WH	4PCS	22-7/16" x 10-7/16" x 8-11/16"	17.4 lb
37959	NOVT/9CCTS/SD/DIM120V/UNV/H/WH	4PCS	22-7/16" x 10-7/16" x 8-11/16"	17.4 lb
37961	NOVT/9CCTS/SD/DIM120V/UNV/H/BL	4PCS	22-7/16" x 10-7/16" x 8-11/16"	17.4 lb

## CERTIFICATION INFORMATION

Product	Model	DLC ID
37962	NOVT/9CCTS/SD/DIM120V/UNV/J/BL	S-Y4Q5M0
37960	NOVT/9CCTS/SD/DIM120V/UNV/J/WH	S-T8NS63
37959	NOVT/9CCTS/SD/DIM120V/UNV/H/WH	S-PGB9HF
37961	NOVT/9CCTS/SD/DIM120V/UNV/H/BL	S-B14H1H

Note: All rights reserved. All sizes and specifications are subject to change at any time without notice.