

Project Name:	Type:
Part Number:	Date:

# SelectDrive External Driver T5

## FEATURES

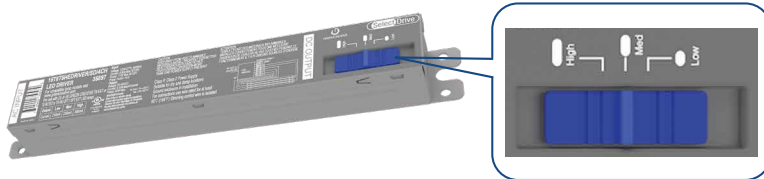
- Replacement for 2' / 3' / 4' / T5 fluorescent lamp
- Ultra-high efficacy up to 158 LPW
- Flicker Free (percent flicker and flicker index are less than three percent)
- Utilizes existing lamp holders – shunted or non-shunted
- Plastic and aluminum design meets NSF requirements and eliminates breakage
- 270° wide light emitting area
- Suitable for use with select GREEN CREATIVE lamps. See complete list in below "COMPATIBLE LAMP" table
- Field select from three lumen outputs using SelectDrive technology
- 0-10V dimming (dims to OFF)\*
- Meets NSF Requirements
- Parallel output driver requires no minimum lamp load to operate properly
- Suitable for use in enclosed fixture and damp location
- Fixture operating temperature: -4°F to 113°F (-20°C to 45°C)
- Lamp ambient temperature: -4°F to 131°F (-20°C to 55°C)
- Rated lifetime (L70): 60,000hrs
- 5 year limited warranty\*\* / 10 year available (see EXTENDED WARRANTIES table for information)
- Suitable for all indoor general lighting applications
- Lamp and driver DLC listed as a system (4' T5 lamp based systems only; DLC does not qualify 2' or 3' T5 lamps at this time)



032824



## FOCUS FEATURE



Selectable output			
Output	Low	Med	High
Current	210mA	250mA	300mA

## SPECIFICATIONS

Product	Model	Max. Lamp Quantity	Input Voltage	Input Freq. (Hz)	Max. Input Current (A)	Output Voltage(V)	Output Current (mA)	Dim	Max Case Temperature (°C/°F)	Power Factor	THD
35896	15T8T5HEDRIVER/SD/2CH	2	120-277V	50/60	0.31	30-48VDC	300mA/250mA/210mA (+/-5%) *2	0-10V	90/194	0.9	<20%
35897	15T8T5HEDRIVER/SD/4CH	4	120-277V	50/60	0.60	30-48VDC	300mA/250mA/210mA (+/-5%) *4	0-10V	90/194	0.9	<20%

\*\* Please visit [www.greencreative.com](http://www.greencreative.com) for Limited Warranty terms



# SelectDrive External Driver T5

## SPECIFICATIONS - LAMP

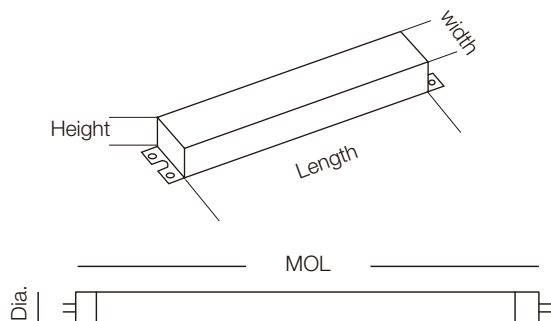
Product	Model	Nominal Length	Equiv.	Life (hrs)	Wattage	Lumens	CCT	CRI	Efficacy (LPW)	Beam Angle
98312	13.5T5HE/4F/830/EXT	4'	28W	60,000	13.5	1,800	3000K	82	133	140°
98313	13.5T5HE/4F/835/EXT	4'	28W	60,000	13.5	1,850	3500K	82	137	140°
98314	13.5T5HE/4F/840/EXT	4'	28W	60,000	13.5	2,000	4000K	82	148	140°
98310	11T5HE/3F/835/EXT	3'	21W	60,000	11	1,550	3500K	82	141	140°
98311	11T5HE/3F/840/EXT	3'	21W	60,000	11	1,650	4000K	82	150	140°
98307	9.5T5HE/2F/835/EXT	2'	14W	60,000	9.5	1,400	3500K	82	147	140°
98308	9.5T5HE/2F/840/EXT	2'	14W	60,000	9.5	1,500	4000K	82	158	140°

\* This lamp might not be compatible with all dimmers. Please visit [www.greencreative.com](http://www.greencreative.com) for compatibility information.

\*\* Please visit [www.greencreative.com](http://www.greencreative.com) for Limited Warranty terms.

Note: Factory setting at highest lumen output.

## DIMENSION & WEIGHT



Product	Model	Length	Width	Height
35896	15T8T5HEDRIVER/SD/2CH	9-1/2"	1-5/16"	1-3/16"
35897	15T8T5HEDRIVER/SD/4CH	9-1/2"	1-5/16"	1-3/16"

Model	9.5T5HE/2F/xxx/EXT	11T5HE/3F/xxx/EXT	13.5T5HE/4F/xxx/EXT
Base	G5	G5	G5
MOL	22"	34"	45-3/4"
Dia.	11/16"	11/16"	11/16"
Weight	0.17lb	0.26lb	0.33lb

Where xxx means 824-965 which indicates CRI and color temperature

## LAMP & SelectDrive EXTERNAL DRIVER LUMEN OUTPUT GUIDE

LED Lamp model	Lamp & Driver system lumen output (based on 4000K)					
	15T8T5HEDRIVER/SD/2CH 15T8T5HEDRIVER/SD/4CH					
	Low(Power)	Low(Lumens)	Med(Power)	Med(Lumens)	High(Power)	High(Lumens)
13.5T5HE/4F/8XX/EXT	9.5	1,400 lm	11.3	1,650 lm	13.5	2,000 lm
11T5HE/3F/8XX/EXT	7.7	1,100 lm	9.2	1,300 lm	11.0	1,650 lm
9.5T5HE/2F/8XX/EXT	6.7	1,000 lm	7.9	1,200 lm	9.5	1,500 lm



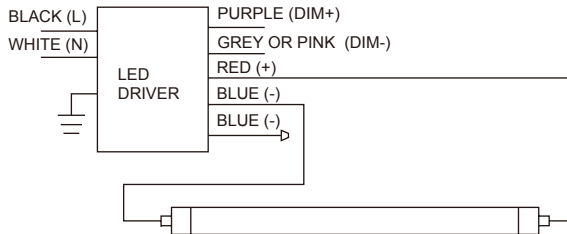
# SelectDrive External Driver T5

## INSTALLATION

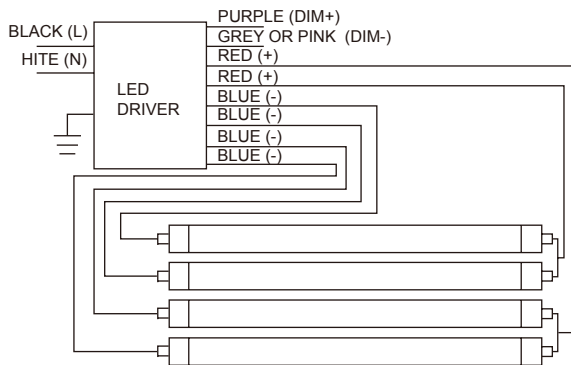
### Double-ended Installation

- For shunted & non-shunted lamp holders
- Not polarity sensitive, lamps can be wired at either end

#### 1 LAMP



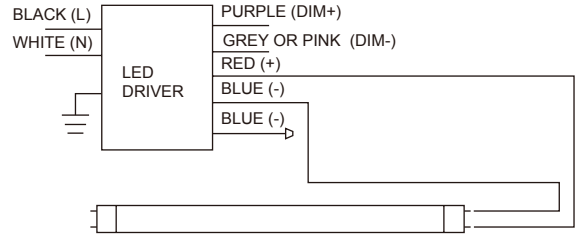
#### 4 LAMPS



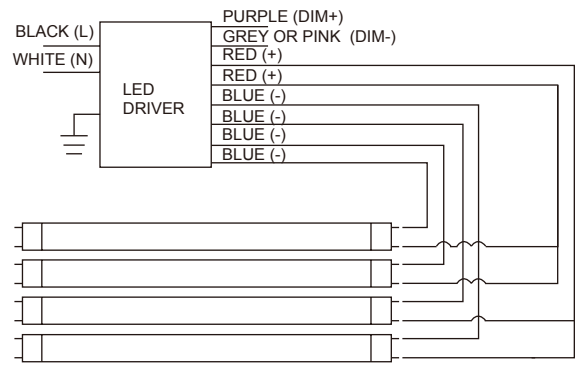
### Single-ended Installation

- For non-shunted lamp holders only
- Not polarity sensitive, pins can accept '+' or '-'

#### 1 LAMP



#### 4 LAMPS



## ACCESSORY ORDERING INFORMATION

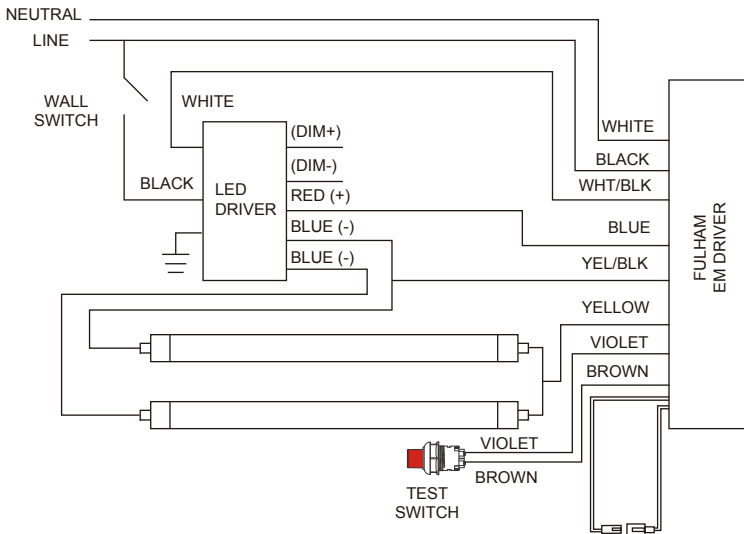
Product	Model	Description	Pictures	Dimensions	Compatible Skus
35797	FU10W/T5T8/EXT/EMDRIVER	FHSCP-UNV-10.7WL			9.5T5HE/2F/8xx/EXT 11T5HE/3F/8xx/EXT 13.5T5HE/4F/8xx/EXT
37934	8EMINVERTER	California Title 20 Compliant 8W Emergency LED Inverter (Field Installation)			9.5T5HE/2F/8xx/EXT 11T5HE/3F/8xx/EXT 13.5T5HE/4F/8xx/EXT
37935	21EMINVERTER	California Title 20 Compliant 21W Emergency LED Inverter (Field Installation)			9.5T5HE/2F/8xx/EXT 11T5HE/3F/8xx/EXT 13.5T5HE/4F/8xx/EXT



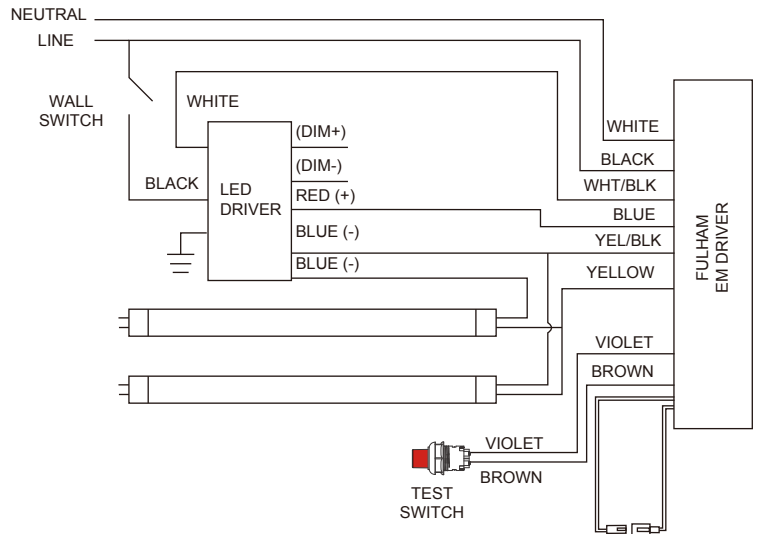
# SelectDrive External Driver T5

## FULHAM EMERGENCY DRIVER INSTALLATION

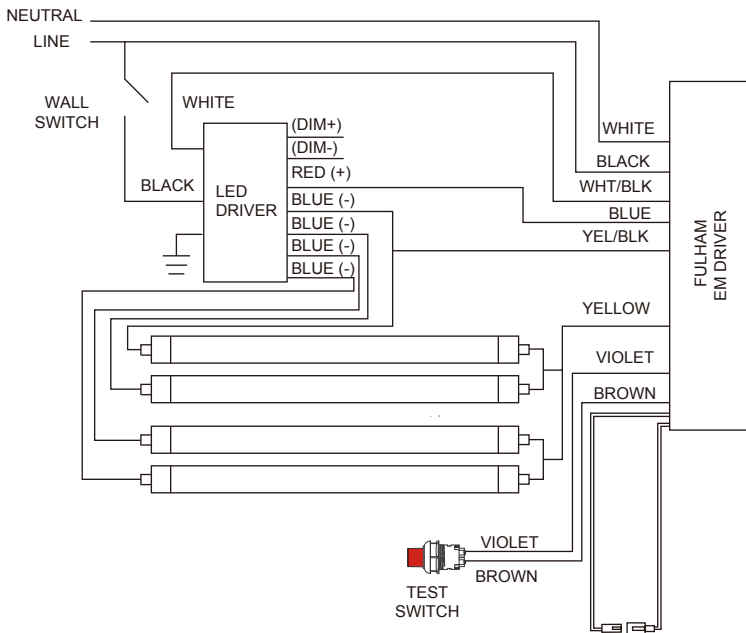
1 LAMP



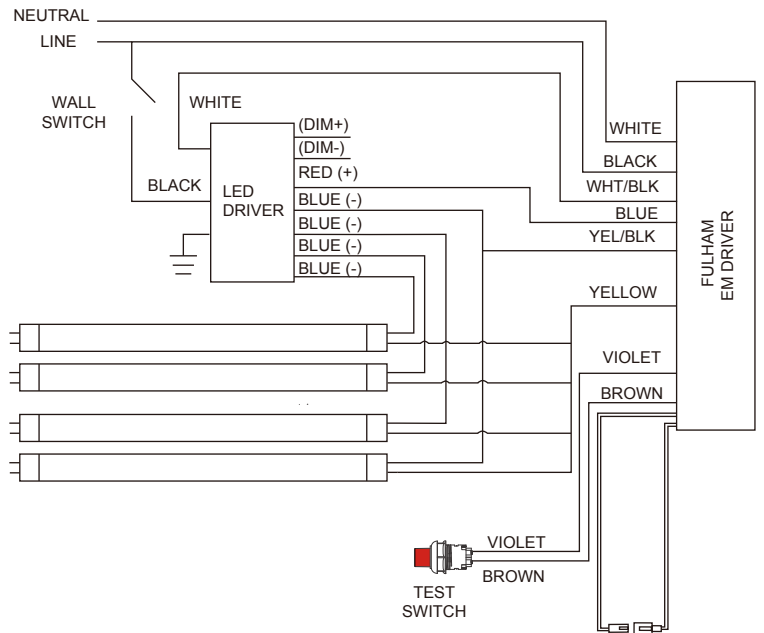
1 LAMP



4 LAMPS



4 LAMPS





# SelectDrive External Driver T5

## COMPATIBILITY WITH FULHAM EM DRIVER

Type	FULHAM EM DRIVER		Lumen output level at EM mode
	Model No		FHSCP-UNV-10.7WL
T5	9.5T5HE/2F/8XX/EXT		113%
	11T5HE/3F/8XX/EXT		97%
	13.5T5HE/4F/8XX/EXT		79%

## EXTENDED WARRANTIES\*\*

Model	Description***
9.5T5/2F/EXT/10YEARWARRANTY	10 Year warranty for 9.5T5HE/2F/8xx/EXT/yy
11T5/3F/EXT/10YEARWARRANTY	10 Year warranty for 11T5HE/3F/8xx/EXT/yy
13.5T5/4F/EXT/10YEARWARRANTY	10 Year warranty for 13.5T5HE/4F/8xx/EXT/yy
15T8T5HEDRIVER/10YEARWARRANTY/2CH	10 Year warranty for 15T8T5HEDRIVER/2CH/yy
15T8T5HEDRIVER/10YEARWARRANTY/4CH	10 Year warranty for 15T8T5HEDRIVER/4CH/yy

\*\* Warranty based on a maximum of 4,368 annual operating hours (per year for ten years) and exposure to a maximum fixture operating temperature of 80°F / 27°C.

\*\*\* xx – Refers to the CCT yy – Refers to model generations within the same nominal performance. Typically blank, 'R', or 'RC'

## DLC KITS REFERENCES

T5HE 4'				
Model No. (DLC)	Lamp Model	Lamp Qty	External Driver Model	DLC Product ID
13.5T5HE/4F/830/EXT/SD/A2	98312 13.5T5HE/4F/830/EXT	2	35896 15T8T5HEDRIVER/SD/2CH	PYNWAT0U
13.5T5HE/4F/835/EXT/SD/A2	98313 13.5T5HE/4F/835/EXT			PIQEFADZ
13.5T5HE/4F/840/EXT/SD/A2	98314 13.5T5HE/4F/840/EXT			PLE7OV30
13.5T5HE/4F/830/EXT/SD/A3	98312 13.5T5HE/4F/830/EXT	3	35897 15T8T5HEDRIVER/SD/4CH	P8J77KKV
13.5T5HE/4F/830/EXT/SD/A4		4		P2TOBKJB
13.5T5HE/4F/835/EXT/SD/A3	98313 13.5T5HE/4F/835/EXT	3		PFKUC EE2
13.5T5HE/4F/835/EXT/SD/A4		4		PB4ZDTLJ
13.5T5HE/4F/840/EXT/SD/A3	98314 13.5T5HE/4F/840/EXT	3		P85IRU14
13.5T5HE/4F/840/EXT/SD/A4		4		PKOG2NG0

## ORDERING INFORMATION

Product Series	Master Carton			Shipping Carton		
	Case QTY	Case Dimensions (LxWxH)	Case Weight	Case QTY	Case Dimensions (LxWxH)	Case Weight
15T8T5HEDRIVER/SD/2CH	6	9-7/8" x 5-5/8" x 2-3/4"	5.69 lb	24	11-7/8" x 10-5/6" x 6-11/16"	22.82 lb
15T8T5HEDRIVER/SD/4CH	6	9-7/8" x 5-5/8" x 2-3/4"	6.22 lb	24	11-7/8" x 10-5/6" x 6-11/16"	24.69 lb
9.5T5HE/2F/xxx/EXT	6	23" x 2-1/2" x 1-3/4"	1.4lb	24	25-3/16" x 5-13/16" x 4-13/16"	6.2lb
11T5HE/3F/xxx/EXT	6	34-13/16" x 2-1/2" x 1-3/4"	2.1lb	24	37" x 5-13/16" x 4-13/16"	9.3lb
13.5T5HE/4F/xxx/EXT	6	46-5/8" x 2-1/2" x 1-3/4"	2.7lb	24	48-13/16" x 5-13/16" x 4-13/16"	12.3lb
22T5HO/4F/xxx/EXT	6	46-5/8" x 2-1/2" x 1-3/4"	2.7lb	24	48-13/16" x 5-13/16" x 4-13/16"	12.3lb

Where xxx means 824-965 which indicates CRI and color temperature

Note: All rights reserved. All sizes and specifications are subject to change at any time without notice.