

Project Name:	Type:
Part Number:	Date:



GREENCREATIVE

BABA T8 UEB (UL Type B - Single and Double Ended Bypass)

FEATURES

- Replaces 2', 3', and 4' T8 fluorescent lamps
- Integral LED driver - Directly operate on 120-277V line voltage
- UEB - Universal ended installation in bypass mode
- Suitable for both single ended installations working with non-shunted lamp holders only, or double ended installation working with both shunted or non-shunted lamp holders
- 4000K color temperature
- 330° wide light emitting area
- Smooth ELV dimming¹
- Shatterproof plastic
- Built-in safety switch prevents electrical shock during installation
- Exceptionally high efficacy up to 150 LPW
- Lumen output up to 2,700lm for 4' models
- L70 rated lifetime up to 60,000 hours
- 5 year limited warranty² / Optional 10 year available (see EXTENDED WARRANTIES table for information)
- Suitable for use in totally enclosed fixtures and damp locations
- Fixture operating temperature: -4°F to 95°F (-20°C to 35°C)
- Lamp ambient temperature: -4°F to 113°F (-20°C to 45°C)



DIGITAL NAVIGATION

Explore the spec sheet through the links below

- [INSTALLATION](#)
- [ACCESSORY ORDERING INFORMATION](#)
- [LOGISTIC INFORMATION](#)
- [EXTENDED WARRANTIES](#)
- [CERTIFICATION INFORMATION](#)

SPECIFICATIONS

Product	Model	Nominal Length	Equiv.	Input Voltage	Wattage	Lumens	CCT	Efficacy (LPW)	Life (hrs)	CRI	Power Factor	THD	Beam Angle	Fixture Rating	Lens
38776	8T8/2F/840/UEB/BABA	2'	17W	120-277V	8	1,150	4000K	144	60,000	82	0.9	<20%	220°	Enclosed	Frosted Polycarbonate
38777	12T8/3F/840/UEB/BABA	3'	25W	120-277V	12	1,600	4000K	133	60,000	82	0.9	<20%	220°	Enclosed	Frosted Polycarbonate
38778	12T8/4F/840/UEB/BABA	4'	32W	120-277V	12	1,800	4000K	150	60,000	82	0.9	<20%	220°	Enclosed	Frosted Polycarbonate
38779	15T8/4F/840/UEB/BABA	4'	32W	120-277V	15	2,200	4000K	147	60,000	82	0.9	<20%	220°	Enclosed	Frosted Polycarbonate
38780	18T8/4F/840/UEB/BABA	4'	32W	120-277V	18	2,700	4000K	150	60,000	82	0.9	<20%	220°	Enclosed	Frosted Polycarbonate

FOOTNOTES:
 1 This lamp might not be compatible with all dimmers. Please visit www.greencreative.com for compatibility information.
 2 Please visit www.greencreative.com for Limited Warranty terms.

DIMENSION & WEIGHT



Model	Base	MOL	Dia.	Weight
8T8/2F/840/UEB/BABA	G13	23-3/4"	1-3/16"	0.21 lb
12T8/3F/840/UEB/BABA	G13	35-3/4"	1-3/16"	0.28 lb
12T8/4F/840/UEB/BABA	G13	47-3/4"	1-3/16"	0.34 lb
15T8/4F/840/UEB/BABA	G13	47-3/4"	1-3/16"	0.34 lb
18T8/4F/840/UEB/BABA	G13	47-3/4"	1-3/16"	0.34 lb

Note: All rights reserved. All sizes and specifications are subject to change at any time without notice.



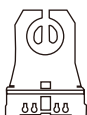
BABA T8 UEB (UL Type B - Single and Double Ended Bypass)

INSTALLATION

SINGLE ENDED BYPASS INSTALLATION

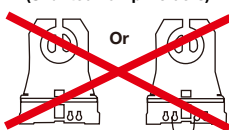
Suitable for use with Non-Shunted lamp holders only.

Programmed Start or Rapid Start
(Non-Shunted Lamp Holders)

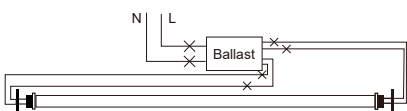
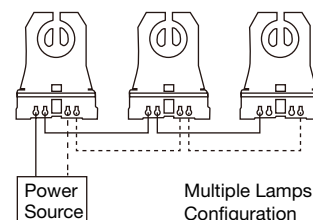


Step 1. Cut all wires connected to the existing ballast, and remove the ballast.

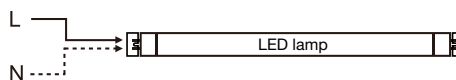
Instant Start
(Shunted Lamp Holders)



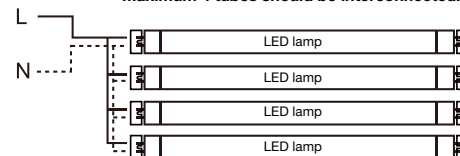
Step 2. Connect power to one end according to the diagram. Wiring should be made using Non-Shunted lamp holders only.



Single Lamp



Multiple Lamps
Maximum 4 tubes should be interconnected.



DOUBLE ENDED BYPASS INSTALLATION

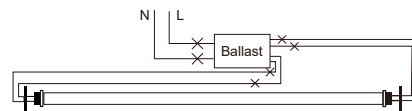
Suitable for use with both Non-Shunted or Shunted lamp holders.

Programmed Start or Rapid Start
(Non-Shunted Lamp Holders)

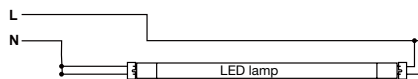


Step 1. Cut all wires connected to the existing ballast, and remove the ballast.

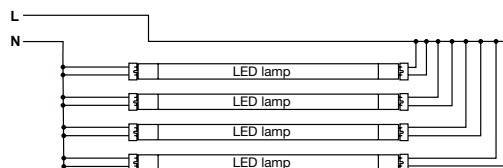
Step 2. For Non-Shunted lamp holders, connect power to both ends according to the diagram.



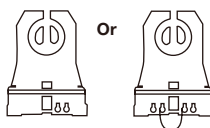
Single Lamp



Multiple Lamps
Maximum 4 tubes should be interconnected.

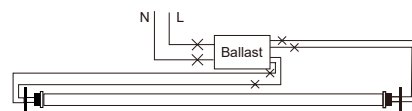


Instant Start
(Shunted Lamp Holders)

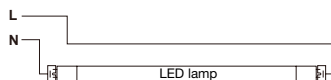


Step 1. Cut all wires connected to the existing ballast, and remove the ballast.

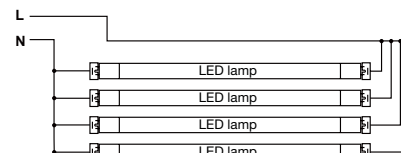
Step 2. For Shunted lamp holders, connect power to both ends according to the diagram.



Single Lamp




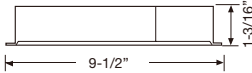

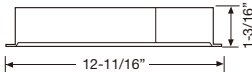

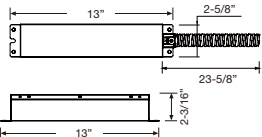
Multiple Lamps
Maximum 4 tubes should be interconnected.





BABA T8 UEB (UL Type B - Single and Double Ended Bypass)

ACCESSORY ORDERING INFORMATION

Product	Model	Description	Pictures	Dimensions	Compatible Skus
34958	5EMDRIVER ³	5W Emergency LED Driver			8T8/2F/840/UEB/BABA 12T8/3F/840/UEB/BABA 12T8/4F/840/UEB/BABA 15T8/4F/840/UEB/BABA 18T8/4F/840/UEB/BABA
34959	10EMDRIVER	California Title 20 Compliant 10W Emergency LED Driver			8T8/2F/840/UEB/BABA 12T8/3F/840/UEB/BABA 12T8/4F/840/UEB/BABA 15T8/4F/840/UEB/BABA 18T8/4F/840/UEB/BABA
38096	24EMINVERTER	California Title 20 Compliant 24W Emergency LED Inverter (Field Installation)			8T8/2F/840/UEB/BABA 12T8/3F/840/UEB/BABA 12T8/4F/840/UEB/BABA 15T8/4F/840/UEB/BABA 18T8/4F/840/UEB/BABA

FOOTNOTES:

3. Does not meet Title 20 appliance requirements, not for use in California

LOGISTIC INFORMATION

Model	Master Carton			Shipping Carton		
	Case Qty	Case Dimensions (LxWxH)	Case Weight	Case Qty	Case Dimensions (LxWxH)	Case Weight
8T8/2F/840/UEB/BABA	N.A.	N.A.	N.A.	25PCS	26-3/16" x 8-1/4" x 9-1/16"	6.83 lb
12T8/3F/840/UEB/BABA	N.A.	N.A.	N.A.	25PCS	38" x 8-1/4" x 9-1/16"	9.04 lb
12T8/4F/840/UEB/BABA	N.A.	N.A.	N.A.	25PCS	50-9/16" x 8-1/4" x 9-1/16"	11.46 lb
15T8/4F/840/UEB/BABA	N.A.	N.A.	N.A.	25PCS	50-9/16" x 8-1/4" x 9-1/16"	11.46 lb
18T8/4F/840/UEB/BABA	N.A.	N.A.	N.A.	25PCS	50-9/16" x 8-1/4" x 9-1/16"	11.46 lb

EXTENDED WARRANTIES⁴

Model	Description ⁵
8T8/2F/8xx/UEB/BABA/10YEARWARRANTY	10 Year warranty for 8T8/2F/8xx/UEB/BABA
12T8/3F/8xx/UEB/BABA/10YEARWARRANTY	10 Year warranty for 12T8/3F/8xx/UEB/BABA
12T8/4F/8xx/UEB/BABA/10YEARWARRANTY	10 Year warranty for 12T8/4F/8xx/UEB/BABA
15T8/4F/8xx/UEB/BABA/10YEARWARRANTY	10 Year warranty for 15T8/4F/8xx/UEB/BABA
18T8/4F/8xx/UEB/BABA/10YEARWARRANTY	10 Year warranty for 18T8/4F/8xx/UEB/BABA

FOOTNOTES:

4. Warranty based on a maximum of 4,368 annual operating hours (per year for ten years) and exposure to a maximum fixture operating temperature of 80°F / 27°C.

5. xx - Refers to the CCT

CERTIFICATION INFORMATION

Product	Model	DLC ID#
38776	8T8/2F/840/UEB/BABA	S-0K4ZL1
38777	12T8/3F/840/UEB/BABA	S-ZNB7QQ
38778	12T8/4F/840/UEB/BABA	S-1WF7P9
38779	15T8/4F/840/UEB/BABA	S-1JCS6B
38780	18T8/4F/840/UEB/BABA	S-ZPCMLV