

Project Name:	Type:
Part Number:	Date:



GREENCREATIVE

EXTERNAL DRIVER T8 (UL TYPE C)

FEATURES

- Replaces 2' / 3' / 4' / U-Bend T8 fluorescent lamp
- Compatible with GREEN CREATIVE external drivers only
- Flicker Free (percent flicker and flicker index are less than three percent)
- Utilizes existing lamp holders – shunted or non-shunted
- Ultra-high efficacy up to 158 LPW
- Opaque glass lens reduces glare
- 310° wide light emitting area
- 0-10V dimming* - dims to OFF with SelectDrive driver, dims to 10% with single wattage driver
- Field select from three lumen outputs using SelectDrive driver
- Suitable for single-ended installation with non-shunted lamp holders, as well as double-ended installation compatible with both existing shunted and non-shunted lamp holders
- Parallel output driver requires no minimum lamp load to operate properly
- Suitable for use in enclosed fixture and damp location
- Meets NSF Requirements (use of a shatter guard required)
- Fixture operating temperature: -4°F to 95°F (-20°C to 35°C)
- Lamp ambient temperature: -4°F to 113°F (-20°C to 45°C)
- Rated lifetime (L70) up to: 60,000hrs
- 5 year limited warranty** / 10 year available (see EXTENDED WARRANTIES table for information)
- Suitable for all indoor general lighting applications



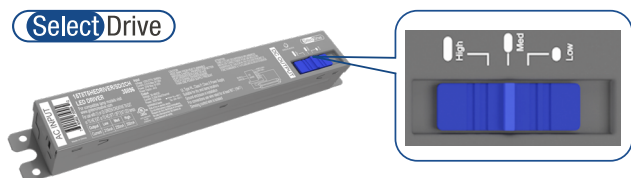
SCAN ME or Click Here

DIGITAL NAVIGATION Explore the spec sheet through the links below



- [SPECIFICATIONS](#)
- [DIMENSION & WEIGHT](#)
- [INSTALLATION](#)
- [COMPATIBLE CONTROL SYSTEM](#)
- [ACCESSORY ORDERING INFORMATION](#)
- [LOGISTIC INFORMATION](#)
- [EXTENDED WARRANTIES**](#)
- [CERTIFICATION INFORMATION \(DLC KITS REFERENCES\)](#)

FOCUS FEATURE



Selectable Output			
Output	Low	Med	High
Current	210mA	250mA	300mA

SPECIFICATIONS

EXTERNAL DRIVER

Product	Model	Max. Lamp Quantity	Input Voltage	Input Freq. (Hz)	Max. Input Current (A)	Output Voltage (V)	Output Current (mA)	Dim	Max Case Temperature (°C/°F)	Power Factor	THD
35896	15T8T5HEDRIVER/SD/2CH	2	120-277V	50/60	0.31	30-48VDC	300mA/250mA/210mA (+/-5%)*2	0-10V	90/194	0.9	<20%
35897	15T8T5HEDRIVER/SD/4CH	4	120-277V	50/60	0.60	30-48VDC	300mA/250mA/210mA (+/-5%)*4	0-10V	90/194	0.9	<20%
98259	15T8T5HEDRIVER/2CH/R	2	120-277V	50/60	0.31	30-48VDC	300mA (+/-5%)*2	0-10V	90/194	0.9	<20%
98260	15T8T5HEDRIVER/4CH/R	4	120-277V	50/60	0.6	30-48VDC	300mA (+/-5%)*4	0-10V	90/194	0.9	<20%

FOOTNOTES:
 * This lamp might not be compatible with all dimmers. Please visit www.greencreative.com for compatibility information.
 ** Please visit www.greencreative.com for Limited Warranty terms.

Note: All rights reserved. All sizes and specifications are subject to change at any time without notice.



EXTERNAL DRIVER T8 (UL TYPE C)

SPECIFICATIONS

LAMP

Product	Model	Nominal Length	Equiv.	Wattage (W)	Lumens	CCT	Efficacy (LPW)	Life (hrs)	CRI	Beam Angle	DLC	DOE
35675	14T8/4F/835/EXT	4'	32W	14	2,000	3500K	143	60,000	82	220°	✓	✓
37126	14T8/4F/840/EXT/R	4'	32W	14	2,050	4000K	146	60,000	82	220°	✓	✓
37127	14T8/4F/850/EXT/R	4'	32W	14	2,050	5000K	146	60,000	82	220°	✓	✓
98331	11.5T8/4F/830/EXT	4'	32W	11.5	1,600	3000K	139	60,000	82	220°	✓	✓
37121	11.5T8/4F/830/EXT/R	4'	32W	11.5	1,600	3000K	139	60,000	82	220°	✓	✓
98332	11.5T8/4F/835/EXT	4'	32W	11.5	1,650	3500K	143	60,000	82	220°	✓	✓
98333	11.5T8/4F/840/EXT	4'	32W	11.5	1,700	4000K	148	60,000	82	220°	✓	✓
37123	11.5T8/4F/840/EXT/R	4'	32W	11.5	1,700	4000K	148	60,000	82	220°	✓	✓
37124	11.5T8/4F/850/EXT/R	4'	32W	11.5	1,700	5000K	148	60,000	82	220°	✓	✓
98329	10.5T8/3F/835/EXT	3'	25W	10.5	1,500	3500K	143	60,000	82	220°	✓	✓
98330	10.5T8/3F/840/EXT	3'	25W	10.5	1,600	4000K	152	60,000	82	220°	✓	✓
98326	9.5T8/2F/835/EXT	2'	17W	9.5	1,400	3500K	147	60,000	82	220°	✓	✓
98327	9.5T8/2F/840/EXT	2'	17W	9.5	1,500	4000K	158	60,000	82	220°	✓	✓
35671	9.5T8/2F/850/EXT	2'	17W	9.5	1,500	5000K	158	60,000	82	220°	✓	✓
98337	14.5T8U6/830/EXT	U-6	32W	14.5	2,000	3000K	138	60,000	82	220°	✓	✓
35461	14.5T8U6/835/EXT	U-6	32W	14.5	2,000	3500K	138	60,000	82	220°	✓	✓
98338	14.5T8U6/840/EXT	U-6	32W	14.5	2,000	4000K	152	60,000	82	220°	✓	✓

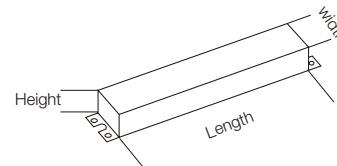
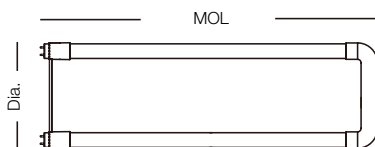
LAMP & DRIVER SYSTEM

Product	Model	CCT	98259 15T8T5HEDRIVER/2CH/R				98260 15T8T5HEDRIVER/4CH/R			
			1 Lamp		2 Lamps		3 Lamps		4 Lamps	
			System Power	Lumens	System Power	Lumens	System Power	Lumens	System Power	Lumens
35675	14T8/4F/835/EXT	3500K	16	2,000	32	4,000	48	6,000	64	8,000
37126	14T8/4F/840/EXT/R	4000K	16	2,050	32	4,100	48	6,150	64	8,200
37127	14T8/4F/850/EXT/R	5000K	16	2,050	32	4,100	48	6,150	64	8,200
98331	11.5T8/4F/830/EXT	3000K	13	1,600	26	3,200	39	4,800	52	6,400
37121	11.5T8/4F/830/EXT/R	3000K	13	1,600	26	3,200	39	4,800	52	6,400
98332	11.5T8/4F/835/EXT	3500K	13	1,650	26	3,300	39	4,950	52	6,600
98333	11.5T8/4F/840/EXT	4000K	13	1,700	26	3,400	39	5,100	52	6,800
37123	11.5T8/4F/840/EXT/R	4000K	13	1,700	26	3,400	39	5,100	52	6,800
37124	11.5T8/4F/850/EXT/R	5000K	13	1,700	26	3,400	39	5,100	52	6,800
98328	10.5T8/3F/830/EXT	3000K	12.5	1,450	25	2,900	37.5	4,350	50	5,800
98329	10.5T8/3F/835/EXT	3500K	12.5	1,500	25	3,000	37.5	4,500	50	6,000
98330	10.5T8/3F/840/EXT	4000K	12.5	1,600	25	3,200	37.5	4,800	50	6,400
98326	9.5T8/2F/835/EXT	3500K	11	1,400	22	2,800	33	4,200	44	5,600
98327	9.5T8/2F/840/EXT	4000K	11	1,500	22	3,000	33	4,500	44	6,000
35671	9.5T8/2F/850/EXT	5000K	11	1,500	22	3,000	33	4,500	44	6,000
98337	14.5T8U6/830/EXT	3000K	17	2,000	34	4,000	51	6,000	68	8,000
35461	14.5T8U6/835/EXT	3500K	17	2,000	34	4,000	51	6,000	68	8,000
98338	14.5T8U6/840/EXT	4000K	17	2,200	34	4,400	51	6,600	68	8,800

LAMP & SelectDrive EXTERNAL DRIVER LUMEN OUTPUT GUIDE

LED Lamp model	Lamp & Driver system lumen output (based on 4000K)					
	15T8T5HEDRIVER/SD/2CH 15T8T5HEDRIVER/SD/4CH					
	Low (Power)	Low (Lumens)	Med (Power)	Med (Lumens)	High (Power)	High (Lumens)
14T8/4F/8XX/EXT, 14T8/4F/xxx/EXT/R	9.8	1,400 lm	11.7	1,650 lm	14.0	2,050 lm
11.5T8/4F/8XX/EXT, 11.5T8/4F/xxx/EXT/R	8.1	1,150 lm	9.6	1,400 lm	11.5	1,700 lm
10.5T8/3F/8XX/EXT	7.4	1,000 lm	8.8	1,250 lm	10.5	1,600 lm
9.5T8/2F/8XX/EXT	6.7	1,000 lm	7.9	1,200 lm	9.5	1,500 lm
14.5T8U6/8XX/EXT	9.2	1,400 lm	11.2	1,700 lm	14.5	2,200 lm

DIMENSION & WEIGHT



Model	Base	MOL	Dia.	Weight
9.5T8/2F/xxx/EXT	G13	23-3/4"	1-1/8"	0.26lb
10.5T8/3F/xxx/EXT	G13	35-3/4"	1-1/8"	0.4lb
11.5T8/4F/xxx/EXT	G13	47-3/4"	1-1/8"	0.49lb
11.5T8/4F/xxx/EXT/R	G13	47-3/4"	1-1/8"	0.49lb
14T8/4F/xxx/EXT	G13	47-3/4"	1-1/8"	0.49lb
14T8/4F/xxx/EXT/R	G13	47-3/4"	1-1/8"	0.49lb
14.5T8U6/xxx/EXT	G13	22-7/16"	7-1/16"	0.56lb

Model	Length	Width	Height	Weight
15T8T5HEDRIVER/SD/2CH	9-1/2"	1-5/16"	1-3/16"	1.0 lb
15T8T5HEDRIVER/SD/4CH				
15T8T5HEDRIVER/2CH/R				
15T8T5HEDRIVER/4CH/R				

Where xxx means 824-965 which indicates CRI and color temperature

Note: All rights reserved. All sizes and specifications are subject to change at any time without notice.



EXTERNAL DRIVER T8 (UL TYPE C)

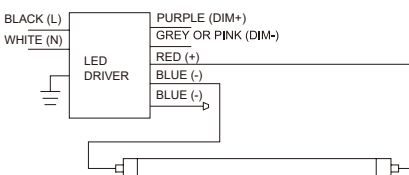
INSTALLATION

EXTERNAL LED DRIVER INSTALLATION

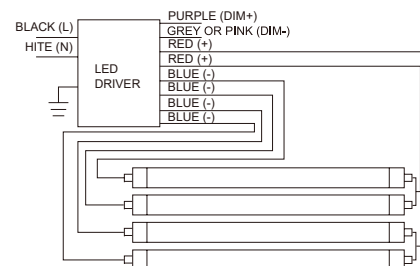
Double-ended Installation

- For shunted & non-shunted lamp holders
- Not polarity sensitive, lamps can be wired at either end

1 LAMP



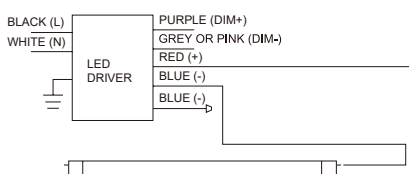
4 LAMPS



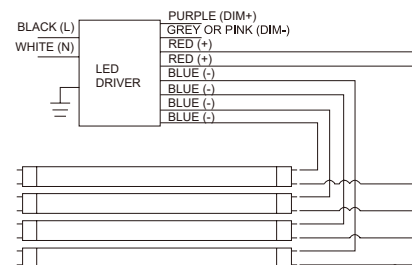
Single-ended Installation

- For non-shunted lamp holders only
- Not polarity sensitive, lamps can be wired at either end

1 LAMP

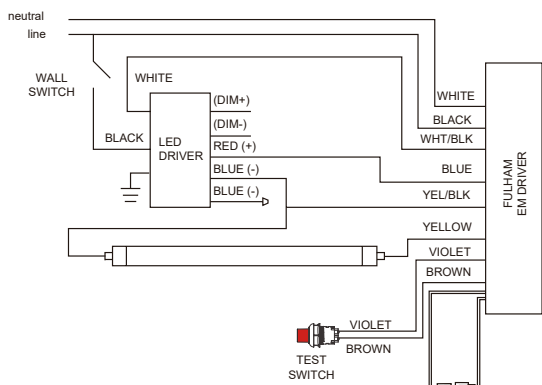


4 LAMPS

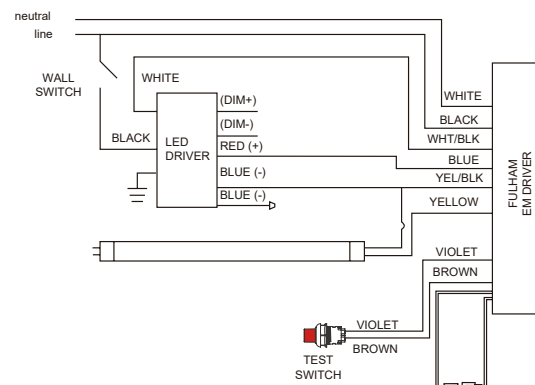


FULHAM EMERGENCY DRIVER INSTALLATION

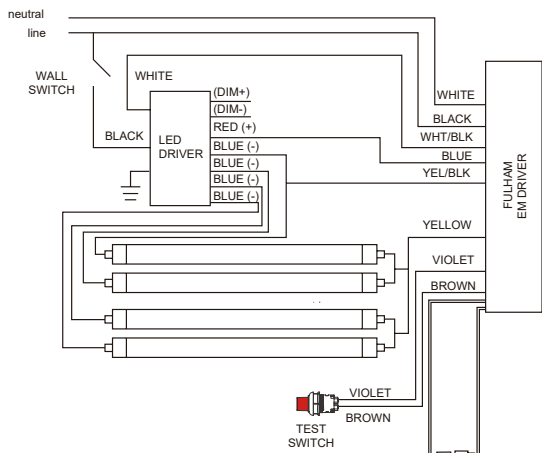
1 LAMP



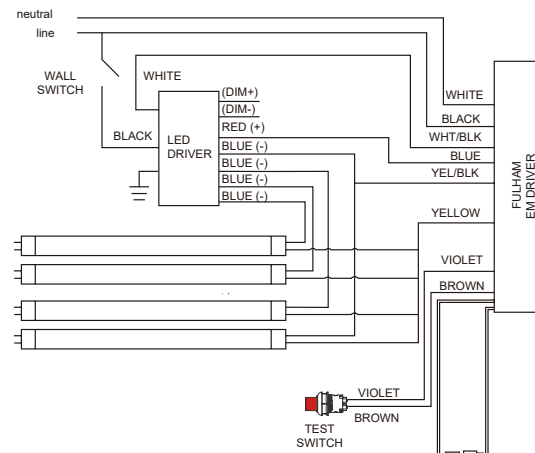
1 LAMP



4 LAMPS



4 LAMPS



Type	Model No	FULHAM EM DRIVER	
		Lumen output level at EM mode	
		FHSCP-UNV3-10W-LSD-A	FHSCP-UNV-17WL FHSCP-UNV3-15W-LSD-A
T8	9.5T8/2F/8XX/EXT	113%	-
	10.5T8/3F/8XX/EXT	102%	-
	11.5T8/4F/8XX/EXT 11.5T8/4F/xxx/EXT/R	93%	-
	14T8/4F/8XX/EXT 14T8/4F/8XX/EXT/R	76%	-
	14.5T8U6/8XX/EXT	74%	117%

Note: All rights reserved. All sizes and specifications are subject to change at any time without notice.



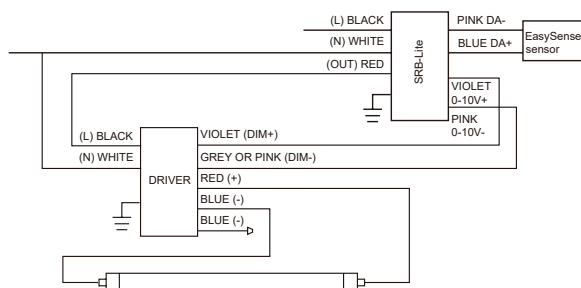
EXTERNAL DRIVER T8 (UL TYPE C)

COMPATIBLE CONTROL SYSTEM

CONTROL ORDERING INFORMATION

Product	Model	Description	Pictures	Dimensions
SRB-Lite	SRB-Lite	Xitanium SR bridge - SR/DALI compatible - Field installation and Wiring		
98518	PH-SNS2000CMP	Easy Sense Ceiling Mount Sensor (SNS200) - Field installation and Wiring		

CONTROL SYSTEM INSTALLATION



ACCESSORY ORDERING INFORMATION

Product	Model	Description	Pictures	Dimensions	Compatible Skus
37934	8EMINVERTER	California Title 20 Compliant 8W Emergency LED Inverter (Field Installation)			9.5T8/2F/8xx/EXT 10.5T8/3F/8xx/EXT 11.5T8/4F/8xx/EXT 11.5T8/4F/8xx/EXT/R 14T8/4F/8xx/EXT 14T8/4F/8xx/EXT/R 14.5T8U6/8xx/EXT
38096	24EMINVERTER	California Title 20 Compliant 24W Emergency LED Inverter (Field Installation)			9.5T8/2F/8xx/EXT 10.5T8/3F/8xx/EXT 11.5T8/4F/8xx/EXT 11.5T8/4F/8xx/EXT/R 14T8/4F/8xx/EXT 14T8/4F/8xx/EXT/R 14.5T8U6/8xx/EXT
FHSCP-UNV3-10W-L-SD-A	FHSCP-UNV3-10W-L-SD-A	10W EM Driver 100-347V California Title 20 Compliant (Field Installation)			9.5T8/2F/8xx/EXT 10.5T8/3F/8xx/EXT 11.5T8/4F/8xx/EXT 14T8/4F/8xx/EXT 14.5T8U6/8xx/EXT 11.5T8/4F/8xx/EXT/R 14T8/4F/8xx/EXT/R
FHSCP-UNV3-15W-L-SD-A	FHSCP-UNV3-15W-L-SD-A	15W EM Driver 100-347V California Title 20 Compliant Field Installation			14.5T8U6/8xx/EXT
FHSCP-UNV-17WL	FHSCP-UNV-17WL	17W EM Driver 120-277V California Title 20 Compliant Field Installation			14.5T8U6/8xx/EXT

Note: All rights reserved. All sizes and specifications are subject to change at any time without notice.



EXTERNAL DRIVER T8 (UL TYPE C)

LOGISTIC INFORMATION

Model	Master Carton			Shipping Carton		
	Case Qty	Case Dimensions (LxWxH)	Case Weight	Case Qty	Case Dimensions (LxWxH)	Case Weight
14T8/4F/8XX/EXT	N.A	N.A	N.A	25 PCS	49-1/4" x 7-7/8" x 7-7/8"	14.6 lb
14T8/4F/8XX/EXT/R	N.A	N.A	N.A	25 PCS	49-1/4" x 7-7/8" x 7-7/8"	13.67 lb
11.5T8/4F/8XX/EXT	N.A	N.A	N.A	25 PCS	49-1/4" x 7-7/8" x 7-7/8"	14.6 lb
11.5T8/4F/8XX/EXT/R	N.A	N.A	N.A	25 PCS	49-1/4" x 7-7/8" x 7-7/8"	13.67 lb
10.5T8/3F/8XX/EXT	N.A	N.A	N.A	25 PCS	37-7/16" x 7-7/8" x 7-7/8"	11.24 lb
9.5T8/2F/8XX/EXT	N.A	N.A	N.A	25 PCS	25" x 6-1/8" x 5"	5.73 lb
14.5T8U6/8XX/EXT	1 PCS	23-5/8" x 8-1/4" x 1-3/4"	1.12 lb	12 PCS	24-7/16" x 17-1/8" x 10-5/8"	13.45 lb
15T8T5HEDRIVER/SD/2CH	6 PCS	9-7/8" x 5-5/8" x 2-3/4"	5.07 lb	24 PCS	11-7/8" x 10-5/16" x 6-11/16"	20.83 lb
15T8T5HEDRIVER/SD/4CH	6 PCS	9-7/8" x 5-5/8" x 2-3/4"	5.40 lb	24 PCS	11-7/8" x 10-5/16" x 6-11/16"	22.16 lb
15T8T5HEDRIVER/2CH/R	6 PCS	9-7/8" x 5-5/8" x 2-3/4"	5.40 lb	24 PCS	11-7/8" x 10-5/16" x 6-11/16"	22.60 lb
15T8T5HEDRIVER/4CH/R	6 PCS	9-7/8" x 5-5/8" x 2-3/4"	6.06 lb	24 PCS	11-7/8" x 10-5/16" x 6-11/16"	25.13 lb

xx – Refers to the CCT

EXTENDED WARRANTIES**

Model	Description***
9.5T8/2F/EXT/10YEARWARRANTY	10 Year warranty for 9.5T8/2F/8xx/EXT/yy
10.5T8/3F/EXT/10YEARWARRANTY	10 Year warranty for 10.5T8/3F/8xx/EXT/yy
11.5T8/4F/EXT/10YEARWARRANTY	10 Year warranty for 11.5T8/4F/8xx/EXT/yy
14T8/4F/EXT/10YEARWARRANTY	10 Year warranty for 14T8/4F/8xx/EXT/yy
14.5T8/U6/EXT/10YEARWARRANTY	10 Year warranty for 14.5T8U6/8xx/EXT/yy

FOOTNOTES:

** Warranty based on a maximum of 4,368 annual operating hours (per year for ten years) and exposure to a maximum fixture operating temperature of 80°F / 27°C.

*** xx – Refers to the CCT yy – Refers to model generations within the same nominal performance. Typically blank, 'R', or 'RC'

CERTIFICATION INFORMATION (DLC KITS REFERENCES)

Model No. (DLC)	Lamp Model	Lamp Qty	External Driver Model	DLC Product ID
9.5T8/2F/830/EXT/A2/R	98325 9.5T8/2F/830/EXT	2	98259 15T8T5HEDRIVER/2CH/R	PLM8D0P0F40J
9.5T8/2F/830/EXT/A3/R		3	98260 15T8T5HEDRIVER/4CH/R	PLI2CYURPJJK
9.5T8/2F/830/EXT/A4/R		4		PLTI905OYXXP
9.5T8/2F/835/EXT/A2/R	98326 9.5T8/2F/835/EXT	2	98259 15T8T5HEDRIVER/2CH/R	PLGPR73K3M4F
9.5T8/2F/835/EXT/A3/R		3	98260 15T8T5HEDRIVER/4CH/R	PLAPZOXUMXIT
9.5T8/2F/835/EXT/A4/R		4		PL72NX2CJI0V
9.5T8/2F/840/EXT/A2/R	98327 9.5T8/2F/840/EXT	2	98259 15T8T5HEDRIVER/2CH/R	PLFTE8GCMPQM
9.5T8/2F/840/EXT/A3/R		3	98260 15T8T5HEDRIVER/4CH/R	PLL1ZDVCY90G
9.5T8/2F/840/EXT/A4/R		4		PLZ6P9IX9XET
10.5T8/3F/830/EXT/A2/R	98328 10.5T8/3F/830/EXT	2		PL74PJLNCZAX
10.5T8/3F/835/EXT/A2/R	98329 10.5T8/3F/835/EXT	2	98259 15T8T5HEDRIVER/2CH/R	PLN8BUPRXXUI
10.5T8/3F/840/EXT/A2/R	98330 10.5T8/3F/840/EXT	2		PL8BEF279780
14T8/4F/840/EXT/RC/A2	37126 14T8/4F/840/EXT/R	2	98259 15T8T5HEDRIVER/2CH/R	S-58Z3IR
14T8/4F/840/EXT/RC/A3		3	98260 15T8T5HEDRIVER/4CH/R	S-PZB4XT
14T8/4F/840/EXT/RC/A4		4		S-HD7WKE
14T8/4F/850/EXT/RC/A2	37127 14T8/4F/850/EXT/R	2	98259 15T8T5HEDRIVER/2CH/R	S-T24AO3
14T8/4F/850/EXT/RC/A3		3	98260 15T8T5HEDRIVER/4CH/R	S-EGKI4U
14T8/4F/850/EXT/RC/A4		4		S-LMGO9C
14T8/4F/840/EXT/A2/R	98335 14T8/4F/840/EXT	2	98259 15T8T5HEDRIVER/2CH/R	PLJEY782DG5H
14T8/4F/840/EXT/A3/R		3	98260 15T8T5HEDRIVER/4CH/R	PL577Q8YX12C
14T8/4F/840/EXT/A4/R		4		PL48C1A62CV5
14T8/4F/850/EXT/A2/R	98336 14T8/4F/850/EXT	2	98259 15T8T5HEDRIVER/2CH/R	PL1QQZ0JRVEX
14T8/4F/850/EXT/A3/R		3	98260 15T8T5HEDRIVER/4CH/R	PLWIB5CH1B3Q
14T8/4F/850/EXT/A4/R		4		PL001QHCVCCL2

Note: All rights reserved. All sizes and specifications are subject to change at any time without notice.



EXTERNAL DRIVER T8 (UL TYPE C)

CERTIFICATION INFORMATION (DLC KITS REFERENCES)					
Model No. (DLC)	Lamp Model	Lamp Qty	External Driver Model	DLC Product ID	
11.5T8/4F/830/EXT/RC/A2	37121 11.5T8/4F/830/EXT/R	2	98259 15T8T5HEDRIVER/2CH/R	S-IFE6Y3	
11.5T8/4F/830/EXT/RC/A3		3	98260 15T8T5HEDRIVER/4CH/R	S-RCVEMF	
11.5T8/4F/830/EXT/RC/A4		4		S-L145SF	
11.5T8/4F/835/EXT/RC/A2	37122 11.5T8/4F/835/EXT/R	2	98259 15T8T5HEDRIVER/2CH/R	S-92UVRO	
11.5T8/4F/835/EXT/RC/A3		3	98260 15T8T5HEDRIVER/4CH/R	S-ZAW14Q	
11.5T8/4F/835/EXT/RC/A4		4		S-XIZTNB	
11.5T8/4F/840/EXT/RC/A2	37123 11.5T8/4F/840/EXT/R	2	98259 15T8T5HEDRIVER/2CH/R	S-FJZM7Y	
11.5T8/4F/840/EXT/RC/A3		3	98260 15T8T5HEDRIVER/4CH/R	S-AB78X1	
11.5T8/4F/840/EXT/RC/A4		4		S-FQGVZ	
11.5T8/4F/850/EXT/RC/A2	37124 11.5T8/4F/850/EXT/R	2	98259 15T8T5HEDRIVER/2CH/R	S-YNCF86	
11.5T8/4F/850/EXT/RC/A3		3	98260 15T8T5HEDRIVER/4CH/R	S-1OLA5T	
11.5T8/4F/850/EXT/RC/A4		4		S-QM4D0Y	
11.5T8/4F/830/EXT/A2/R	98331 11.5T8/4F/830/EXT	2	98259 15T8T5HEDRIVER/2CH/R	PL2SX5VMBI3V	
11.5T8/4F/830/EXT/A3/R		3	98260 15T8T5HEDRIVER/4CH/R	PL5XI9LML290	
11.5T8/4F/830/EXT/A4/R		4		PL56XHSX9YM3	
11.5T8/4F/835/EXT/A2/R	98332 11.5T8/4F/835/EXT	2	98259 15T8T5HEDRIVER/2CH/R	PLH64RBZNOEA	
11.5T8/4F/835/EXT/A3/R		3	98260 15T8T5HEDRIVER/4CH/R	PLW2CRRZ7MW3	
11.5T8/4F/835/EXT/A4/R		4		PLNP1OT7W2T0	
11.5T8/4F/840/EXT/A2/R	98333 11.5T8/4F/840/EXT	2	98259 15T8T5HEDRIVER/2CH/R	PLCLA8S3KCXT	
11.5T8/4F/840/EXT/A3/R		3	98260 15T8T5HEDRIVER/4CH/R	PL9MLMV0UDK7	
11.5T8/4F/840/EXT/A4/R		4		PL5VTYLAXX7X	
11.5T8/4F/850/EXT/A2/R	98334 11.5T8/4F/850/EXT	2	98259 15T8T5HEDRIVER/2CH/R	PL5ZM032EK83	
11.5T8/4F/850/EXT/A3/R		3	98260 15T8T5HEDRIVER/4CH/R	PL0J7C9IU8WZ	
11.5T8/4F/850/EXT/A4/R		4		PLQTXUQNI33X	
T8 2'					
9.5T8/2F/830/EXT/SD/A2	98325 9.5T8/2F/830/EXT	2	35896 15T8T5HEDRIVER/SD/2CH	PMPXCJZO	
9.5T8/2F/835/EXT/SD/A2	98326 9.5T8/2F/835/EXT	2		P4BO955V	
9.5T8/2F/840/EXT/SD/A2	98327 9.5T8/2F/840/EXT	2		POYVW40A	
9.5T8/2F/830/EXT/SD/A3	98325 9.5T8/2F/830/EXT	3	35897 15T8T5HEDRIVER/SD/4CH	PI9LW8O8	
9.5T8/2F/830/EXT/SD/A4		4		PRTUEK3Y	
9.5T8/2F/835/EXT/SD/A3	3	PG7LSAU9			
9.5T8/2F/835/EXT/SD/A4	4	PG93I42V			
9.5T8/2F/840/EXT/SD/A4	4	PLFLC8LB			
9.5T8/2F/840/EXT/SD/A3	3	P58K52JF			
T8 3'					
10.5T8/3F/830/EXT/SD/A2	98328 10.5T8/3F/830/EXT	2		35896 15T8T5HEDRIVER/SD/2CH	P3P8VZNV
10.5T8/3F/835/EXT/SD/A2	98329 10.5T8/3F/835/EXT	2	P3111TMG		
10.5T8/3F/840/EXT/SD/A2	98330 10.5T8/3F/840/EXT	2	PG0QUH1P		
T8 4'					
11.5T8/4F/830/EXT/SD/A2	98331 11.5T8/4F/830/EXT	2	35896 15T8T5HEDRIVER/SD/2CH	PB0WC99G	
11.5T8/4F/835/EXT/SD/A2	98332 11.5T8/4F/835/EXT	2		PUKVV51F	
11.5T8/4F/840/EXT/SD/A2	98333 11.5T8/4F/840/EXT	2		PI89W04G	
11.5T8/4F/850/EXT/SD/A2	98334 11.5T8/4F/850/EXT	2	35897 15T8T5HEDRIVER/SD/4CH	PB7UGCCY	
11.5T8/4F/830/EXT/SD/A3	98331 11.5T8/4F/830/EXT	3		PXJ2Z8UT	
11.5T8/4F/835/EXT/SD/A3	98332 11.5T8/4F/835/EXT	3		PW2IYK0A	
11.5T8/4F/840/EXT/SD/A3	98333 11.5T8/4F/840/EXT	3		PG8XG2JQ	
11.5T8/4F/850/EXT/SD/A3	98334 11.5T8/4F/850/EXT	3		PNIX2U7P	
11.5T8/4F/830/EXT/SD/A4	98331 11.5T8/4F/830/EXT	4		PZ9SP47O	
11.5T8/4F/835/EXT/SD/A4	98332 11.5T8/4F/835/EXT	4		PK2U4HQC	
11.5T8/4F/840/EXT/SD/A4	98333 11.5T8/4F/840/EXT	4		PGWK4I29	
11.5T8/4F/850/EXT/SD/A4	98334 11.5T8/4F/850/EXT	4	PJXTLKXT		

Note: All rights reserved. All sizes and specifications are subject to change at any time without notice.



EXTERNAL DRIVER T8 (UL TYPE C)

CERTIFICATION INFORMATION (DLC KITS REFERENCES)				
Model No. (DLC)	Lamp Model	Lamp Qty	External Driver Model	DLC Product ID
T8 4'				
11.5T8/4F/830/EXT/SD/RC/A2	37121 11.5T8/4F/830/EXT/R	2	35896 15T8T5HEDRIVER/SD/2CH	S-CBNEVP
11.5T8/4F/835/EXT/SD/RC/A2	37122 11.5T8/4F/835/EXT/R	2		S-ALKF85
11.5T8/4F/840/EXT/SD/RC/A2	37123 11.5T8/4F/840/EXT/R	2		S-4N31KU
11.5T8/4F/850/EXT/SD/RC/A2	37124 11.5T8/4F/850/EXT/R	2		S-CMWZLX
11.5T8/4F/830/EXT/SD/RC/A3	37121 11.5T8/4F/830/EXT/R	3	35897 15T8T5HEDRIVER/SD/4CH	S-EL80FM
11.5T8/4F/835/EXT/SD/RC/A3	37122 11.5T8/4F/835/EXT/R	3		S-TODL4B
11.5T8/4F/840/EXT/SD/RC/A3	37123 11.5T8/4F/840/EXT/R	3		S-6LCW80
11.5T8/4F/850/EXT/SD/RC/A3	37124 11.5T8/4F/850/EXT/R	3		S-WO1U9G
11.5T8/4F/830/EXT/SD/RC/A4	37121 11.5T8/4F/830/EXT/R	4	35897 15T8T5HEDRIVER/SD/4CH	S-WO8LTI
11.5T8/4F/835/EXT/SD/RC/A4	37122 11.5T8/4F/835/EXT/R	4		S-AWSUH1
11.5T8/4F/840/EXT/SD/RC/A4	37123 11.5T8/4F/840/EXT/R	4		S-BXR91Z
11.5T8/4F/850/EXT/SD/RC/A4	37124 11.5T8/4F/850/EXT/R	4		S-LWSODP
14T8/4F/840/EXT/SD/RC/A2	37126 14T8/4F/840/EXT/R	2	35896 15T8T5HEDRIVER/SD/2CH	S-VR8FZN
14T8/4F/850/EXT/SD/RC/A2	37127 14T8/4F/850/EXT/R	2		S-45TEQU
14T8/4F/830/EXT/SD/RC/A3	37257 14T8/4F/830/EXT/R	3	15T8T5HEDRIVER/SD/4CH	S-PJBDU0
14T8/4F/835/EXT/SD/RC/A3	37125 14T8/4F/835/EXT/R	3		S-C1T8K3
14T8/4F/840/EXT/SD/RC/A3	37126 14T8/4F/840/EXT/R	3		S-23J4S7
14T8/4F/850/EXT/SD/RC/A3	37127 14T8/4F/850/EXT/R	3		S-XW3G0K
14T8/4F/830/EXT/SD/RC/A4	37257 14T8/4F/830/EXT/R	4	15T8T5HEDRIVER/SD/4CH	S-QAE30W
14T8/4F/835/EXT/SD/RC/A4	37125 14T8/4F/835/EXT/R	4		S-NBFU7A
14T8/4F/840/EXT/SD/RC/A4	37126 14T8/4F/840/EXT/R	4		S-DF1SV3
14T8/4F/850/EXT/SD/RC/A4	37127 14T8/4F/850/EXT/R	4		S-TMMHOW
14T8/4F/835/EXT/SD/A2	35675 14T8/4F/835/EXT	2	35896 15T8T5HEDRIVER/SD/2CH	PNNJWLZ9
14T8/4F/840/EXT/SD/A2	98335 14T8/4F/840/EXT	2		P4NK8EEG
14T8/4F/850/EXT/SD/A2	98336 14T8/4F/850/EXT	2		P3DHVMYI
14T8/4F/835/EXT/SD/A3	35675 14T8/4F/835/EXT	3	35897 15T8T5HEDRIVER/SD/4CH	P9U4974V
14T8/4F/835/EXT/SD/A4		4		PI6JH2Q9
14T8/4F/840/EXT/SD/A3	98335 14T8/4F/840/EXT	3	35897 15T8T5HEDRIVER/SD/4CH	P142KC70
14T8/4F/840/EXT/SD/A4		4		PUISHFA0
14T8/4F/850/EXT/SD/A3	98336 14T8/4F/850/EXT	3	35897 15T8T5HEDRIVER/SD/4CH	PPPXBXJ4
14T8/4F/850/EXT/SD/A4		4		PRBFINQR
T8 Ubent				
14.5T8U6/830/EXT/SD/A2	98337 14.5T8U6/830/EXT	2	35896 15T8T5HEDRIVER/SD/2CH	P5PKVLU
14.5T8U6/835/EXT/SD/A2	35461 14.5T8U6/835/EXT			PE95JD8I
14.5T8U6/840/EXT/SD/A2	98338 14.5T8U6/840/EXT			P9PVFQ76
14.5T8U6/850/EXT/SD/A2	98339 14.5T8U6/850/EXT			P2EDHWH3

Note: All rights reserved. All sizes and specifications are subject to change at any time without notice.