

Project Name:	Type:
Part Number:	Date:

3N1 12" SURFACE MOUNT

SPECIFICATION FEATURES

- **Mechanical** - Die cast aluminum heat sink. Polycarbonate trim. Smooth diffuse polycarbonate lens. Galvanized steel bracket mounts to industry standard 4" junction boxes from below the ceiling.
- **Electrical** - 120V only, 50/60 Hz drivers available. 120V drivers are dimmable to 10% using TRIAC or ELV dimmers.
- **Optical** - Edge lighting technology featuring a PMMA light guide plate and smooth polycarbonate lens ensures an even light emitting surface. 110° beam angle. Using SelectKelvin technology, field select color temperature between 3000K/3500K/4000K with a minimum of 90 CRI.
- **Thermal** - Die cast heat sink maximizes passive thermal management and achieves a L70 rated lifetime of 50,000 hours. Ambient temperature rated from -22°F to 95°F (-30°C to 35°C).
- **Compliance and Warranty** - ETL Classified and Listed for wet locations. Certified air-tight per ASTM 283-04. IC Rated for direct contact with insulation. Complies with FCC 47CFR Part 15B consumer limits for EMI/RFI emissions. Compliant with NFPA® 70, NEC® Section 410.16 (A)(3) and 410.16 (C)(5). 5 year parts warranty for complete fixture.



060223



BENEFITS

- Installs almost anywhere with Air-Tight, IC and Wet Location ratings
- Mounts to standard 4" J-box
- Field selectable CCT
- 120V dimmable

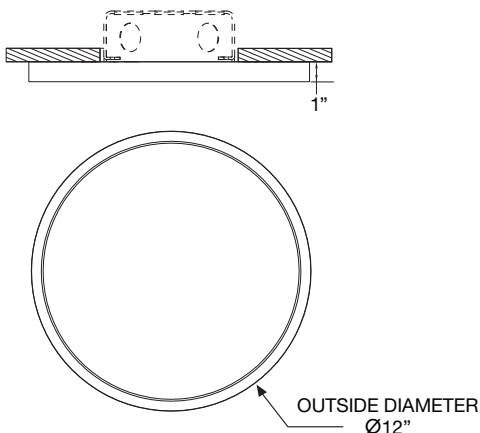
APPLICATIONS

- Commercial – Offices, Common Areas, Vestibules, Storage Closets
- Residential – Bathrooms, Laundry Rooms, Kitchens, Closets, Garages
- Hospitality – Hallways, Bathrooms, Bedrooms, Storage Rooms

ORDERING INFORMATION

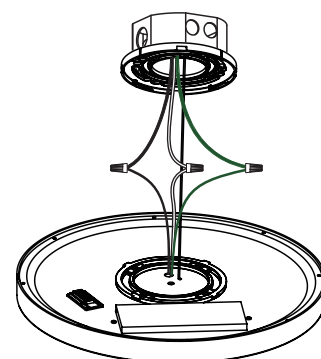
Series	Size	CRI	CCT	Dimming
<input checked="" type="checkbox"/> 3N1 3 N 1	<input checked="" type="checkbox"/> 12 12" 1800lm	<input checked="" type="checkbox"/> 90 CRI 90	<input checked="" type="checkbox"/> CCTS Selectable CCT 3000/3500/4000K	<input checked="" type="checkbox"/> DIM120V 120V Forward and Reverse Phase Dimming

LINE DRAWINGS



INSTALLATION METHODS

Junction Box Mount



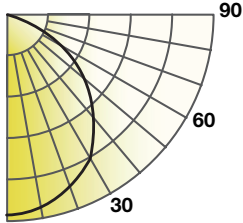
3N1 12" SURFACE MOUNT

TECHNICAL INFORMATION

Dimming	Input Voltage	Input Frequency	Input Current	Input Power	THD Power	Power Factor
DIM120V	120V	50 / 60Hz	0.175A max	24W	<20%	>0.9

PHOTOMETRY

3N1/12/90/CCTS/DIM120V (3500K Selected)



Lumens: 2,161 lm
 CBCP: 740 cd
 Power: 23.4 W
 Efficacy: 92 lm/W
 CRI: 90+
 Spacing Criteria: 1.28
 Beam Angle: 114°

Candlepower Distribution	
Angle (°)	Average (cd)
10	728
20	696
30	640
40	559
50	455
60	334
70	215
80	86
90	0


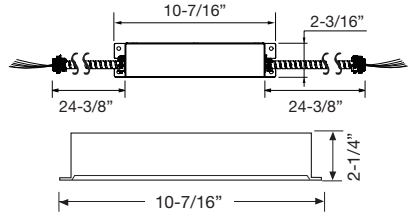
Initial Footcandles		
Height (ft)	Fc	Diameter (ft)
8	17	24.7
10	11	30.9
12	8	37.1
14	6	43.3
16	4	49.5

Zonal Lumen Summary		
Zone	Lumens	%Fixture
0-30	581	27%
0-40	958	45%
0-60	1,704	79%
0-90	2,161	100%

NOMINAL PERFORMANCE

	3N1/12/90/CCTS/DIM120V		
CCT	3000K	3500K	4000K
Output	24W	23.4W	23W
Lumens	2,042	2,161	2,196
LPW	82	92	94

ACCESSORY ORDERING INFORMATION

Product	Model	Description	Pictures	Dimension
98003	23EMDRIVER	California Title 20 Compliant 23W Emergency LED Driver (Field Installation)		

ORDERING GUIDE

Product	Model
35465	3N1/12/90/CCTS/DIM120V

Note: All rights reserved. All sizes and specifications are subject to change at any time without notice.