

Project Name:	Type:
Part Number:	Date:

# PXCYL Cylinder 4"

## SPECIFICATION FEATURES

- Mechanical** - Compact fixture body made from die cast aluminum. Proprietary selectable output driver and polycarbonate lens design provide high quality light to compliment any space. Fixture bodies are available in matte black and matte white, or additional customized colors. Available in Surface, Pendant, Swivel, Suspension cable or Wall mount configuration.
- Electrical** - Two selectable lumen output driver options with SelectDrive technology. The 120V, 50/60 Hz driver is forward or reverse phase dimmable to 5%. The 120-277V, 50/60 Hz driver is 0-10V dimmable to 5% with a low end cutoff and comes with a 12V auxiliary port that provides power for field installed sensors and control modules. Additional DualDim driver is also available, with 0-10V dimming down to 1% at 120-277V and Forward/Reverse phase dimming at 120V only. Static lumen output driver options include the Lutron Hi-Lume 1% EcoSystem driver with Soft-On, Fade-to-Black which dims to 1%. EldoLED ECOdrive and SOLOdrive drivers are available in 0-10V and DALI configurations and dim smoothly to 1% and 0.1% respectively.
- Optical** - Flanged spun aluminum reflector. 45° optical cutoff. Field interchangeable optical lenses. Five beam distributions ranging from 15°- 75°. Wall wash field installed accessory. COB LED binned to 3-step SDCM to ensure color uniformity in 2700K, 3000K, 3500K, 4000K or 5000K CCT. Minimum 90 CRI. 97 CRI with TRUE CHROMA available in 3000K only.
- Thermal** - Die cast heat sink maximizes passive thermal management and achieves an L70 rated lifetime of 50,000 hours. Fixture operating temperature: -22°F to 95°F (-30°C to 35°C). With EM-INT option fixture should be installed in a controlled environment with ambient temperature not exceeding 77°F (25°C).
- Compliance and Warranty** - ETL Listed for damp location, WET location available for Surface Mount and Wall Mount downlighting under covered ceiling. Complies with FCC 47CFR Part 15B consumer limits for EMI/RFI emissions. 5 year parts warranty for complete fixture. Optional 10 Year Extended Warranty available, subject to same terms, conditions and installation requirements as standard 5 Year Warranty. BAA Compliant Luminaire.



### DIGITAL NAVIGATION Explore the spec sheet through the links below

- |  |   |
|--|---|
| <a href="#">ORDERING GUIDE</a>                 | <a href="#">LINE DRAWINGS</a>             |
| <a href="#">ACCESSORY ORDERING INFORMATION</a> | <a href="#">INSTALLATION</a>              |
| <a href="#">TECHNICAL INFORMATION</a>          | <a href="#">NOMINAL PERFORMANCE</a>       |
| <a href="#">PHOTOMETRY</a>                     | <a href="#">CERTIFICATION INFORMATION</a> |



## BENEFITS

- Get the right amount of light with SelectDrive technology
- Multiple finish and customization available to match any décor
- Surface, Pendant, Cable, Down-wall and Up-wall mounting options are available
- Field interchangeable optics ensure smooth light levels
- Large variety of dimming and sensor control options
- Integrated EM option for ease of maintenance and product installation

## SUITABLE APPLICATIONS

- Retail
- Hospitality
- Residential
- Education
- Healthcare

Note: All rights reserved. All sizes and specifications are subject to change at any time without notice.



# PXCYL Cylinder 4"

## ORDERING GUIDE

### SelectDrive Light Engine

PART #

Example: PXCYL4/SM/LEM9035/KDIM010UNV/MD/WH/CC

Series	Size	Mounting	Light Engine <sup>6</sup>	CRI	CCT	Driver	Optical Distribution	Cylinder Finish	Reflector Finish	Options
PXCYL PXCYL Cylinder	4 4"	<b>SM</b> Surface Mount	<b>LES</b> Small Light Engine 500-700-1000 lumens	<b>90</b> CRI 90+	<b>27<sup>3</sup></b> 2700K	<b>KDIM120V</b> SelectDrive 120V, 50/60Hz Forward/Reverse phase dimming	<b>SP</b> Spot 15° Beam Angle	<b>WH</b> Matte White	<b>CC</b> Clear	<b>BLANK</b> None
		<b>CM<sup>1</sup></b> Cable Mount Ready	<b>LEM</b> Medium Light Engine 1500-2000-2500 lumens	<b>97<sup>2,3</sup></b> 97 CRI 3000K TRUE CHROMA	<b>30</b> 3000K	<b>KDIM010UNV</b> SelectDrive 120-277V, 50/60Hz 0-10V dimming	<b>VN</b> Very Narrow 25° Beam Angle	<b>BL</b> Matte Black	<b>WH</b> White	<b>WET<sup>5</sup></b> Wet Location Ready
		<b>PM<sup>1</sup></b> Pendant Mount Ready			<b>35</b> 3500K	<b>DUALDIM1</b> 0-10V dimming to 1% at 120-277V, and Forward/ Reverse phase dimming at 120V only.	<b>NR</b> Narrow 40° Beam Angle	<b>BZ<sup>4</sup></b> Bronze	<b>CZ<sup>4</sup></b> Customized	<b>AWNR<sup>7</sup></b> Lutron Athena Node
		<b>WM</b> Wall Mount			<b>40</b> 4000K		<b>MD</b> Medium 60° Beam Angle	<b>SV<sup>4</sup></b> Silver		For Emergency options please see field installable options below
		<b>WMUP</b> Wall Mount Up lighting			<b>50<sup>3</sup></b> 5000K		<b>WD</b> Wide 75° Beam Angle	<b>CZ<sup>4</sup></b> Customized		

### Fixed Lumen Output Light Engine

PART #

Example: PXCYL4/SM/LE209035/XT010UNV/MD/WH/CC

Series	Size	Mounting	Light Engine	CRI	CCT	Driver	Optical Distribution	Cylinder Finish	Reflector Finish	Options
PXCYL PXCYL Cylinder	4 4"	<b>SM</b> Surface Mount	<b>LE05</b> 500 lumens	<b>90</b> CRI 90+	<b>27<sup>3</sup></b> 2700K	<b>DUALDIM1</b> 0-10V dimming to 1% at 120- 277V, and Forward/Reverse phase dimming at 120V only.	<b>SP</b> Spot 15° Beam Angle	<b>WH</b> Matte White	<b>CC</b> Clear	<b>BLANK</b> None
		<b>CM<sup>1</sup></b> Cable Mount Ready	<b>LE07</b> 700 lumens	<b>97<sup>2,3</sup></b> 97 CRI 3000K TRUE CHROMA	<b>30</b> 3000K	<b>XT010UNV</b> 0-10V 1% Titanium Driver, 120-277V	<b>VN</b> Very Narrow 25° Beam Angle	<b>BL</b> Matte Black	<b>WH</b> White	<b>WET<sup>5</sup></b> Wet Location Ready
		<b>PM<sup>1</sup></b> Pendant Mount Ready	<b>LE10</b> 1,000 lumens		<b>35</b> 3500K	<b>LUT-1UNV</b> Lutron EcoSystem 1% Dimming, 120-277V	<b>NR</b> Narrow 40° Beam Angle	<b>BZ<sup>4</sup></b> Bronze	<b>CZ<sup>4</sup></b> Customized	For Emergency options please see field installable options below
		<b>WM</b> Wall Mount	<b>LE15</b> 1,500 lumens		<b>40</b> 4000K	<b>LUT-L3DUNV</b> Lutron Hi-lume 3-Wire 1% Dimming, 120-277V	<b>MD</b> Medium 60° Beam Angle	<b>SV<sup>4</sup></b> Silver		
		<b>WMUP</b> Wall Mount Up lighting	<b>LE20</b> 2,000 lumens		<b>50<sup>3</sup></b> 5000K	<b>ELD-E010UNV</b> EldoLED ECOdrive 0-10V 1%, 120-277V	<b>WD</b> Wide 75° Beam Angle	<b>CZ<sup>4</sup></b> Customized		
			<b>LE25</b> 2,500 lumens			<b>ELD-EDALIUNV</b> EldoLED ECOdrive DALI 1%, 120-277V				
					<b>ELD-S010UNV</b> EldoLED SOLOdrive 0-10V 0.1%, 120-277V					
					<b>ELD-SDALIUNV</b> EldoLED SOLOdrive DALI 0.1%, 120-277V					
					<b>OSRDIM010347V</b> Osram OPTOTRONIC 0-10V 1%, 347V					

#### FOOTNOTES:

1. Cable and Pendant Mount ready for Stem or Cable Suspension, order Canopy type and length separately.
2. TRUE CHROMA only available for 3000K, contact factory for detail and other CCT.
3. Non-stock item: may be subject to extended lead time and minimum order quantity. Please contact factory for details.
4. Please contact factory for silver, bronze and customized finish color or customized reflectors for feasibility and lead times.
5. WET location are available only for Surface Mounted and Wall Mount downlighting under covered ceiling. WET location is not compatible with any sensor options.
6. Factory setting at highest lumen output for selectable lumen outputs.
7. Only available with KDIM010UNV, using 12V Aux.



# PXCYL Cylinder 4"

## MOUNTING AND CANOPY ACCESSORIES AND OPTIONS

PART #		Example: CABLECPY/WH/50/18/3	
Series	Color	Length <sup>2</sup>	Cord Type
<b>CABLECPY<sup>1</sup></b> Cable mount canopy for flat and slope ceiling (use with CM mounting only)	<b>WH</b> White	<b>50</b> Adjustable length up to 50" max.	<b>18/3</b> 3 x 18 AWG, for non Dimming or TRIAC/ELV
	<b>BL</b> Black	<b>72</b> Adjustable length up to 72" max.	<b>18/3-22/2</b> 3 x 18 AWG, 2 x 22 AWG (purple, pink), for 0-10V control and dimming and/or to connect a field installable micro inverter (FHUPS1-UNV-25L-SD)
	<b>CZ<sup>3</sup></b> Customized	<b>100</b> Adjustable length up to 100" max.	<b>18/4-22/2</b> 4 x 18 AWG, 2 x 22 AWG, for emergency wiring with EM-INT option or field installable EM driver (FHSCP-UNV-10.7WL(-CEC))
		<b>CZ<sup>3</sup></b> Customized	

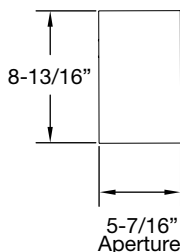
PART #		Example: STEMSCCPY/3-8/WH/12/18/3	
Series	Color	Length	Cord Type
<b>STEMSCCPY/3-8<sup>1</sup></b> Pendant Canopy with 3/8 IPS Stem for flat and slope ceiling up to 45° (Use with PM only)	<b>WH</b> White	<b>12</b> 12" long	<b>18/3</b> 3 x 18 AWG, for non Dimming or TRIAC/ELV
	<b>BL</b> Black	<b>24</b> 24" long	<b>18/3-22/2</b> 3 x 18 AWG, 2 x 22 AWG (purple, pink), for 0-10V control and dimming and/or to connect a field installable micro inverter (FHUPS1-UNV-25L-SD)
<b>STEMCDTFCCPY/3-8<sup>4</sup></b> Jbox Cover Canopy with 3/8 IPS Stem, for flat ceiling with 4x side conduits pass (Use with PM only)	<b>CZ<sup>3</sup></b> Customized	<b>36</b> 36" long	<b>18/4-22/2</b> 4 x 18 AWG, 2 x 22 AWG, for emergency wiring with EM-INT option or field installable EM driver (FHSCP-UNV-10.7WL(-CEC))
		<b>48</b> 48" long	
		<b>CZ<sup>3</sup></b> Customized	

FOOTNOTES:

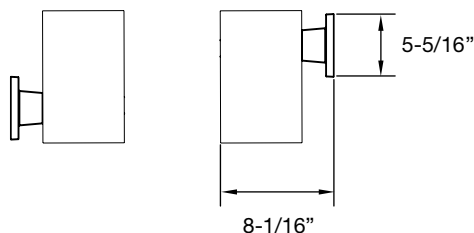
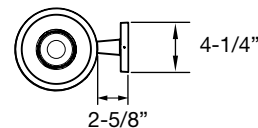
- The Stem and cable canopies can be used for both plane and slope ceiling.
- Cord length will be approximately 12" longer than cable or Stem.
- Please contact factory for customized color and length. Please note the minimum customizable length of stem is 6".

## LINE DRAWINGS

CEILING



WALL MOUNT

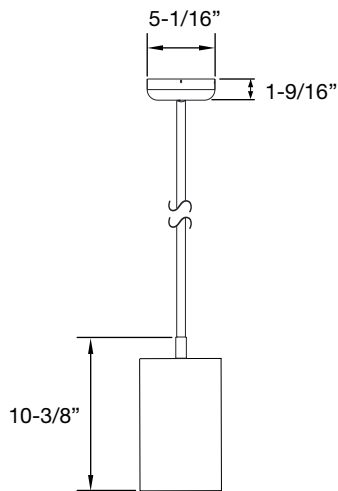




# PXCYL Cylinder 4"

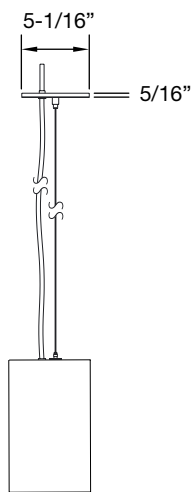
## LINE DRAWINGS

### PENDANT



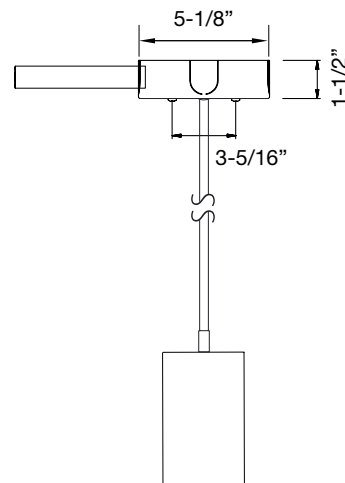
Shown with STEMSCCPY/3-8  
Mounting Option

### CABLE



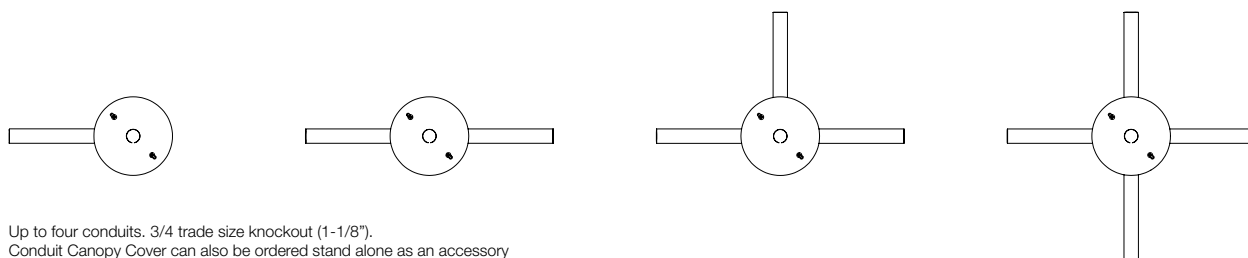
Shown with CABLECPY  
Mounting Option

### CONDUIT CANOPY PENDANT



Shown with STEMCDTFCCPY/3-8  
Mounting Option

### CONDUIT CONFIGURATION OPTIONS



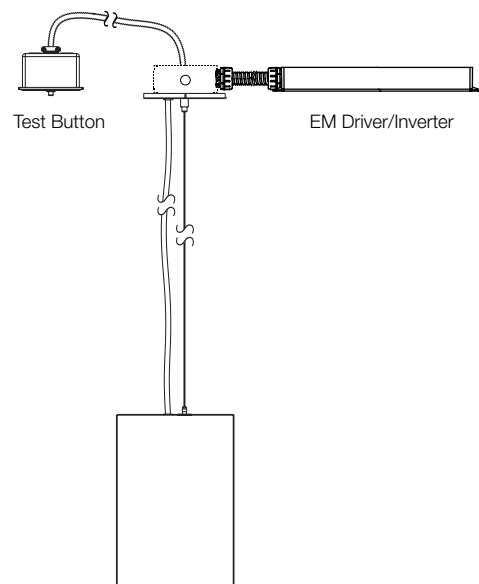
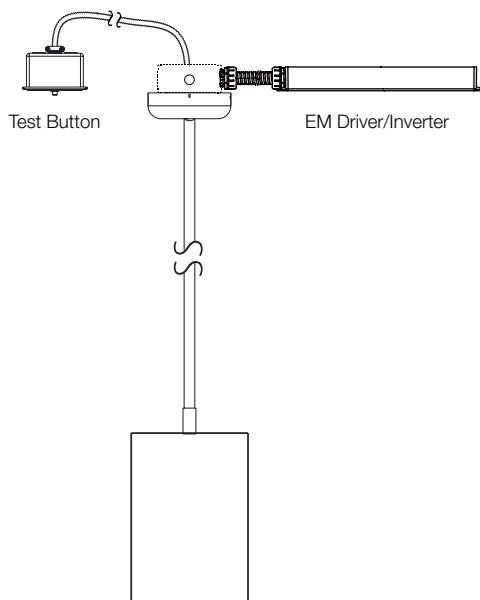
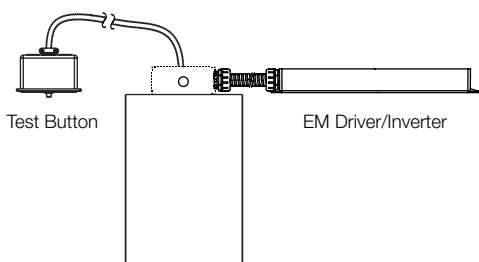
Up to four conduits. 3/4 trade size knockout (1-1/8").  
Conduit Canopy Cover can also be ordered stand alone as an accessory  
to complete your project (please see accessory table)



# PXCYL Cylinder 4"

## LINE DRAWINGS

### WITH FIELD INSTALLABLE EM




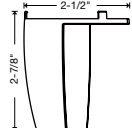

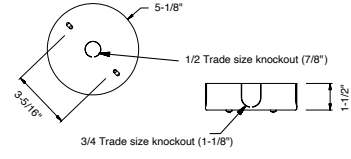


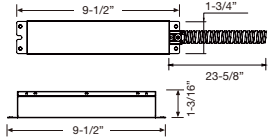

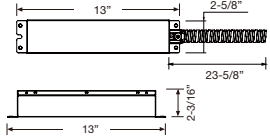

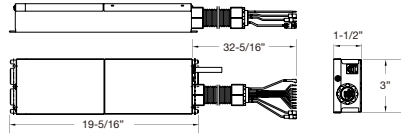

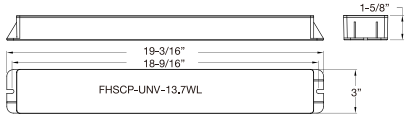
Field installable remote EM driver and Test button shown in surface mount installation. Test button is supplied with EM driver/inverter.  
Electrical Box and Single gang j-box by others.

Field installable remote EM driver and Test button shown in Pendant Mount installation. Test button is supplied with EM driver/inverter. Must be used with 18/3-22/2 type cord for FUHPS1-UNV-25L-SD, GC 8EMINVERTER and 24EMINVERTER, or 18/4-22/2 for FHSCP-UNV-10.7WL/FHSCP-UNV-10.7WL-CEC. Electrical Box and Single gang j-box by others.

Field installable remote EM driver and Test button shown in Pendant Mount installation. Test button is supplied with EM driver/inverter. Must be used with 18/3-22/2 type cord for FUHPS1-UNV-25L-SD, GC 8EMINVERTER and 24EMINVERTER, or 18/4-22/2 for FHSCP-UNV-10.7WL/FHSCP-UNV-10.7WL-CEC. Electrical Box and Single gang j-box by others.



# PXCYL Cylinder 4"

ACCESSORY ORDERING INFORMATION				
Product	Model	Description	Pictures	Dimensions
98079	ADWAW	Wall Wash (Field Installed on Module)		
JCOV-WH	JCOV-WH	White finish, decorative Jbox cover, with 4 side conduit pass-through.		
JCOV-BK	JCOV-BK	Black finish, decorative Jbox cover, with 4 side conduit pass-through.		
37934	8EMINVERTER	California Title 20 Compliant 8W Emergency LED Inverter (Field Installation) Compatible for 0-10V dimming models with LES and LEM light engines.		
38096	24EMINVERTER	California Title 20 Compliant 24W Emergency LED Inverter (Field Installation) Compatible for 0-10V dimming models with LES and LEM light engines, or 120V dimming models with LES light engine.		
FHUPS1-UNV-25L-SD	FHUPS1-UNV-25L-SD	25W Emergency Micro Inverter for field installation to use with 0-10V Driver options. 100-277VAC (up to 150W with use of 0-10V dimming). CEC Compliant.		
FHSCP-UNV-10.7WL	FHSCP-UNV-10.7WL	10.7W Emergency Driver for field installation to use with 120V and 0-10V Driver option in SM/MM mounting and 120V and non 0-10V Driver options for PM/CM mounting. CEC Compliant.		

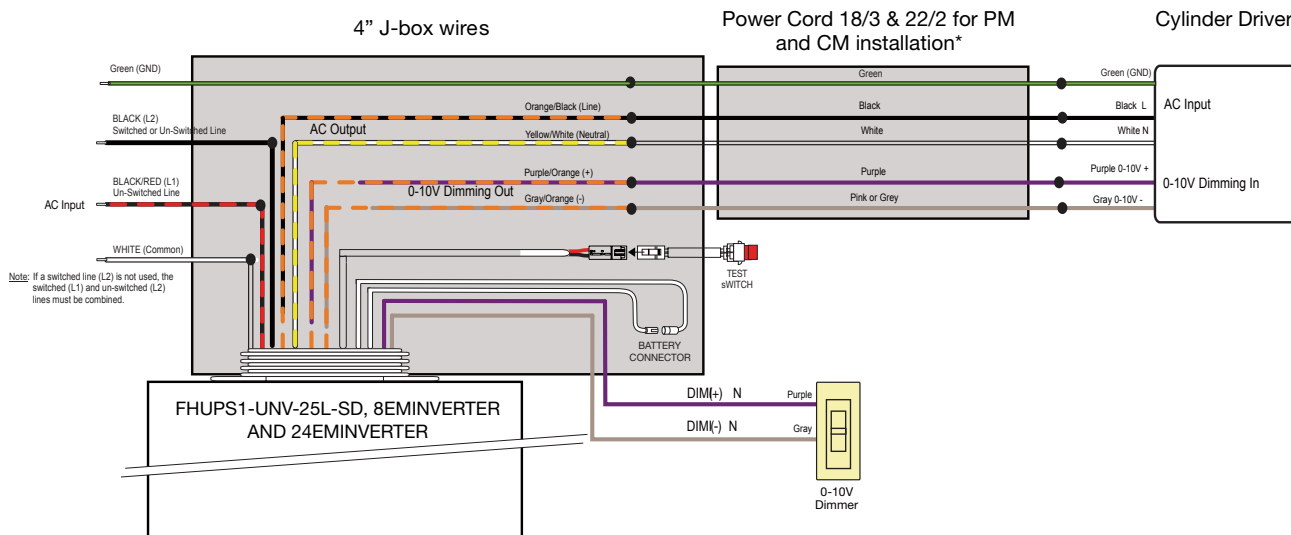
Note: For details of compatibility between each emergency solution and specific product models, please refer to the Products Emergency Compatibility Matrix file available on <https://greencreative.com/emergency-accessories/>



# PXCYL Cylinder 4"

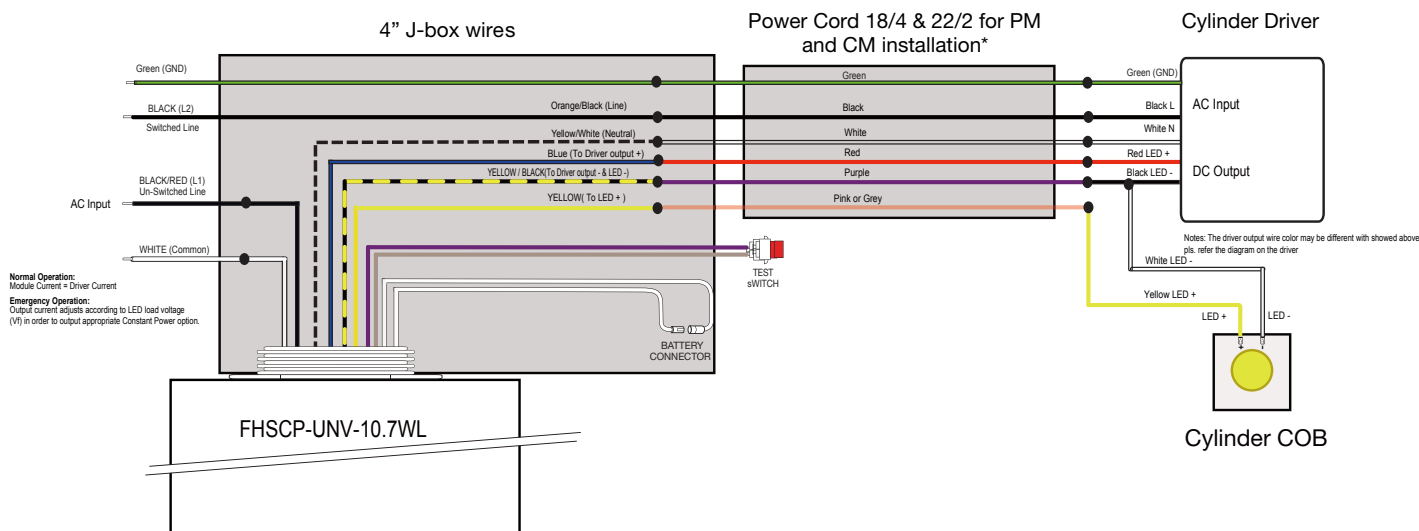
## INSTALLATION

### FHUPS1-UNV-25L-SD, 8EMINVERTER AND 24EMINVERTER FIELD WIRING DIAGRAM INSTALLATION



\*For SM installation power cord is not needed connect the EM driver directly to the driver.

### FHSCP-UNV-10.7WL(-CEC) FIELD WIRING DIAGRAM INSTALLATION



\*For SM installation power cord is not needed connect the EM driver directly to the driver and LED wires.



# PXCYL Cylinder 4"

## TECHNICAL INFORMATION

Light Engine	Input Voltage	Input Frequency	Input Current	Max. Input Power	THD Power	Power Factor
LES	120-277V	50-60Hz	0.115 / 0.047A	13W	<20%	>0.9
LEM			0.270 / 0.114A	31.5W		
LE05			0.056 / 0.024A	6.5W		
LE07			0.073 / 0.034A	8.5W		
LE10			0.112 / 0.047A	13W		
LE15			0.154 / 0.068A	18W		
LE20			0.218 / 0.092A	25.5W		
LE25			0.269 / 0.116A	31.5W		

## NOMINAL PERFORMANCE

LES (LE05 / LE07 / LE10) - Low / Medium / High - 6.5 / 8.5 / 12.5W

CCT	2700K						3000K						3500K						4000K						5000K					
	Low		Medium		High		Low		Medium		High		Low		Medium		High		Low		Medium		High		Low		Medium		High	
	Im	LPW	Im	LPW	Im	LPW	Im	LPW	Im	LPW	Im	LPW	Im	LPW	Im	LPW	Im	LPW	Im	LPW	Im	LPW	Im	LPW	Im	LPW	Im	LPW	Im	LPW
Clear Diffuse	500	77	700	82	1,000	80	525	81	735	86	1,050	84	550	85	700	91	1,100	88	575	88	805	95	1,150	92	580	89	810	95	1,165	93
White Finish	500	77	700	82	1,000	80	525	81	735	86	1,050	84	550	85	700	91	1,100	88	575	88	805	95	1,150	92	580	89	810	95	1,165	93

LEM (LE15 / LE20 / LE25) - Low / Medium / High - 18.0 / 25.5 / 31.5W

CCT	2700K						3000K						3500K						4000K						5000K					
	Low		Medium		High		Low		Medium		High		Low		Medium		High		Low		Medium		High		Low		Medium		High	
	Im	LPW	Im	LPW	Im	LPW	Im	LPW	Im	LPW	Im	LPW	Im	LPW	Im	LPW	Im	LPW	Im	LPW	Im	LPW	Im	LPW	Im	LPW	Im	LPW	Im	LPW
Clear Diffuse	1,600	89	2,125	83	2,500	79	1,632	91	2,169	85	2,550	81	1,664	92	2,210	87	2,600	83	1,696	94	2,253	88	2,650	84	1,713	95	2,275	89	2,677	85
White Finish	1,600	89	2,125	83	2,500	79	1,632	91	2,169	85	2,550	81	1,664	92	2,210	87	2,600	83	1,696	94	2,253	88	2,650	84	1,713	95	2,275	89	2,677	85

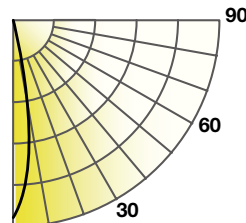
\*\* Lumen output are based on rated lumens, for exact value please refer to the IES files



# PXYL Cylinder 4"

## PHOTOMETRY

PXYL4/xx/LES9035/KDIM010UNV/SP/xx/CC (High Output)



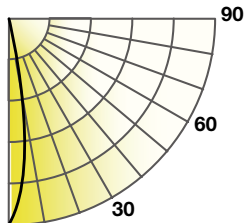
Candlepower Distribution	
Angle (°)	Average (cd)
10	1,959
20	542
30	315
40	163
50	52
60	10
70	2
80	0
90	0

Initial Footcandles		
Height (ft)	Fc	Diameter (ft)
8	45	3
10	29	3
12	20	4
15	13	5
20	7	6

Zonal Lumen Summary		
Zone	Lumens	%Fixt
0-30	749	75
0-40	895	89
0-60	998	99
0-90	1,004	100

Lumens: 1,005 lm  
CBCP: 4,803 cd  
Power: 13 W  
Efficacy: 84 lm/W  
CRI: 92  
Spacing Criteria: 0.3  
Beam Angle: 18°

PXYL4/xx/LES9035/KDIM010UNV/VN/xx/CC (High Output)



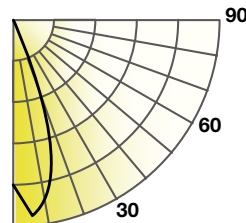
Candlepower Distribution	
Angle (°)	Average (cd)
10	2,590
20	1,142
30	329
40	71
50	21
60	4
70	1
80	0
90	0

Initial Footcandles		
Height (ft)	Fc	Diameter (ft)
8	60	3
10	38	4
12	27	5
15	17	6
20	10	8

Zonal Lumen Summary		
Zone	Lumens	%Fixt
0-30	1,102	89
0-40	1,193	96
0-60	1,236	100
0-90	1,239	100

Lumens: 1,239 lm  
CBCP: 4,968 cd  
Power: 13 W  
Efficacy: 103 lm/W  
CRI: 92  
Spacing Criteria: 0.4  
Beam Angle: 22°

PXYL4/xx/LES9035//KDIM010UNV/NR/xx/CC (High Output)



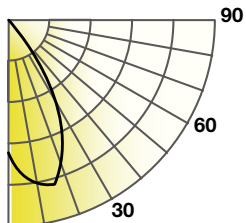
Candlepower Distribution	
Angle (°)	Average (cd)
10	2,184
20	1,428
30	442
40	72
50	15
60	3
70	1
80	0
90	0

Initial Footcandles		
Height (ft)	Fc	Diameter (ft)
8	51	6
10	32	8
12	23	10
15	14	12
20	8	16

Zonal Lumen Summary		
Zone	Lumens	%Fixt
0-30	1,095	88
0-40	1,205	97
0-60	1,240	100
0-90	1,241	100

Lumens: 1,242 lm  
CBCP: 2,289 cd  
Power: 13 W  
Efficacy: 104 lm/W  
CRI: 92  
Spacing Criteria: 0.7  
Beam Angle: 44°

PXYL4/xx/LES9035/KDIM010UNV/MD/xx/CC (High Output)



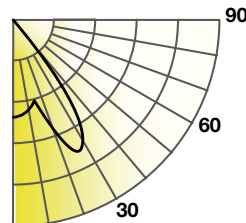
Candlepower Distribution	
Angle (°)	Average (cd)
10	1,237
20	1,228
30	711
40	234
50	26
60	5
70	1
80	0
90	0

Initial Footcandles		
Height (ft)	Fc	Diameter (ft)
8	29	10
10	23	12
12	18	13
15	13	15
20	8	19

Zonal Lumen Summary		
Zone	Lumens	%Fixt
0-30	926	74
0-40	1,176	94
0-60	1,250	100
0-90	1,253	100

Lumens: 1,254 lm  
CBCP: 1,362 cd  
Power: 13 W  
Efficacy: 105 lm/W  
CRI: 92  
Spacing Criteria: 0.95  
Beam Angle: 65°

PXYL4/xx/LES9035/KDIM010UNV/WD/xx/CC (High Output)



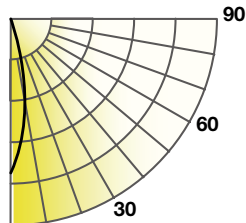
Candlepower Distribution	
Angle (°)	Average (cd)
10	649
20	739
30	1,000
40	448
50	39
60	8
70	8
80	0
90	0

Initial Footcandles		
Height (ft)	Fc	Diameter (ft)
8	15	14
10	10	18
12	7	22
15	4	27
20	2	36

Zonal Lumen Summary		
Zone	Lumens	%Fixt
0-30	669	52
0-40	1,116	86
0-60	1,285	100
0-90	1,290	100

Lumens: 1,292 lm  
CBCP: 1,018 cd  
Power: 13 W  
Efficacy: 108 lm/W  
CRI: 92  
Spacing Criteria: 1.2  
Beam Angle: 84°

PXYL4/xx/LEM9035/KDIM010UNV/SP/xx/CC (High Output)



Candlepower Distribution	
Angle (°)	Average (cd)
10	453
20	123
30	73
40	38
50	12
60	1
70	1
80	0
90	0

Initial Footcandles		
Height (ft)	Fc	Diameter (ft)
8	11	3
10	7	3
12	5	4
15	3	5
20	2	6

Zonal Lumen Summary		
Zone	Lumens	%Fixt
0-30	1,718	74
0-40	2,054	89
0-60	2,293	99
0-90	2,309	100

Lumens: 2,311 lm  
CBCP: 11,054 cd  
Power: 30 W  
Efficacy: 73 lm/W  
CRI: 92  
Spacing Criteria: 0.3  
Beam Angle: 18°

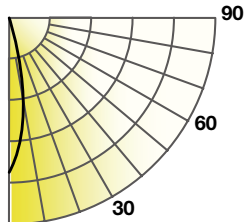
Note: All rights reserved. All sizes and specifications are subject to change at any time without notice.



# PXCYL Cylinder 4"

## PHOTOMETRY

PXCYL4/xx/LEM9035/KDIM010UNV/VN/xx/CC (High Output)



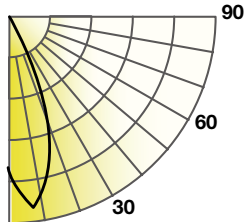
Candlepower Distribution	
Angle (°)	Average (cd)
10	597
20	261
30	75
40	16
50	5
60	1
70	0
80	0
90	0

Initial Footcandles		
Height (ft)	Fc	Diameter (ft)
8	14	3
10	9	4
12	6	5
15	4	6
20	2	8

Zonal Lumen Summary		
Zone	Lumens	%Fixt
0-30	2,530	89
0-40	2,738	96
0-60	2,840	100
0-90	2,847	100

Lumens: 2,849 lm  
CBCP: 11,431 cd  
Power: 30 W  
Efficacy: 91 lm/W  
CRI: 92  
Spacing Criteria: 0.4  
Beam Angle: 22°

PXCYL4/xx/LEM9035/KDIM010UNV/NR/xx/CC (High Output)



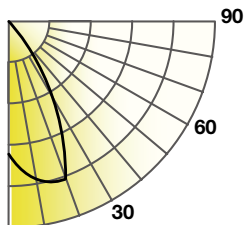
Candlepower Distribution	
Angle (°)	Average (cd)
10	5,067
20	3,327
30	1,021
40	168
50	35
60	8
70	2
80	0
90	0

Initial Footcandles		
Height (ft)	Fc	Diameter (ft)
8	118	6
10	75	8
12	52	10
15	33	12
20	19	16

Zonal Lumen Summary		
Zone	Lumens	%Fixt
0-30	2,540	88
0-40	2,797	97
0-60	2,879	100
0-90	2,884	100

Lumens: 2,886 lm  
CBCP: 5,316 cd  
Power: 30 W  
Efficacy: 91 lm/W  
CRI: 92  
Spacing Criteria: 0.7  
Beam Angle: 44°

PXCYL4/xx/LEM9035/KDIM010UNV/MD/xx/CC (High Output)



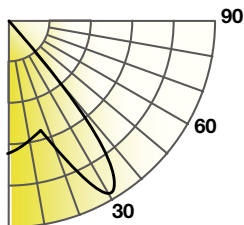
Candlepower Distribution	
Angle (°)	Average (cd)
10	2,826
20	2,816
30	1,630
40	541
50	60
60	12
70	3
80	1
90	0

Initial Footcandles		
Height (ft)	Fc	Diameter (ft)
8	66	10
10	42	13
12	29	15
15	19	19
20	10	26

Zonal Lumen Summary		
Zone	Lumens	%Fixt
0-30	2,121	74
0-40	2,695	94
0-60	2,865	100
0-90	2,874	100

Lumens: 2,877 lm  
CBCP: 3,117 cd  
Power: 30 W  
Efficacy: 91 lm/W  
CRI: 92  
Spacing Criteria: 1.0  
Beam Angle: 65°

PXCYL4/xx/LEM9035/KDIM010UNV/WD/xx/CC (High Output)



Candlepower Distribution	
Angle (°)	Average (cd)
10	1,497
20	1,705
30	2,300
40	1,026
50	91
60	18
70	5
80	2
90	0

Initial Footcandles		
Height (ft)	Fc	Diameter (ft)
8	35	14
10	22	18
12	15	22
15	10	27
20	6	36

Zonal Lumen Summary		
Zone	Lumens	%Fixt
0-30	1,535	52
0-40	2,561	86
0-60	2,951	99
0-90	2,965	100

Lumens: 2,970 lm  
CBCP: 2,332 cd  
Power: 30 W  
Efficacy: 95 lm/W  
CRI: 92  
Spacing Criteria: 1.2  
Beam Angle: 84°

## CERTIFICATION INFORMATION

Model	ES ID#
PXCYL#/**/LES90##/KDIM120V/**/**/**	3848867
PXCYL#/**/LES90##/KDIM010UNV/**/**/**	3848865
PXCYL#/**/LEM90##/KDIM010UNV/**/**/**	3848864
PXCYL#/**/LEM90##/KDIM120V/**/**/**	3848866
PXCYL#/**/LEL90##/KDIM010UNV/**/**/**	3848862
PXCYL#/**/LEL90##/KDIM120V/**/**/**	3848863
PXCYL#/**/LEL90##/DUALDIM1/**/**/**	4481075
PXCYL#/**/LEM90##/DUALDIM1/**/**/**	4481074
PXCYL#/**/LES90##/DUALDIM1/**/**/**	4481073