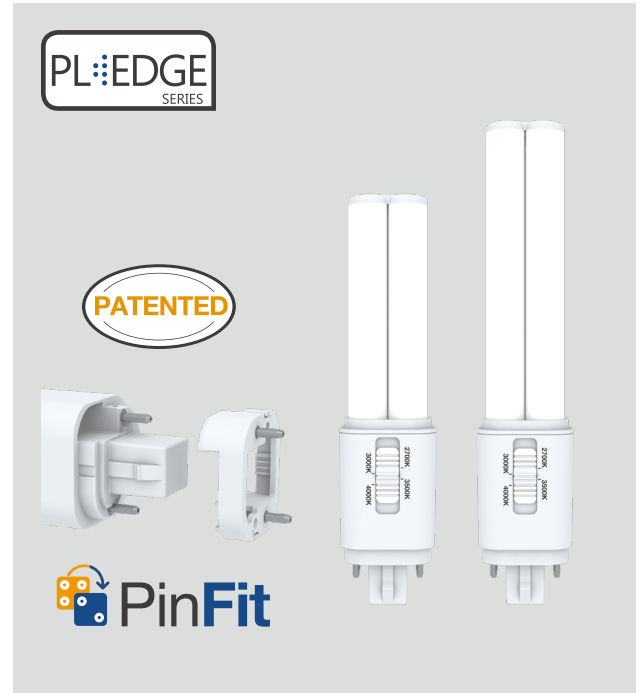


Project Name:	Type:
Part Number:	Date:

CCT SELECT PINFIT PL OMNI

FEATURES

- Replaces 13W-26W CFL lamps
- DIrect or BYPass installation
- DIrect installation¹ - Compatible with both electronic ballast (G24q/GX24q) and magnetic ballast (G24d/GX24d)
- BYPass installation - Work off line voltage (G24d/GX24d/G24q/GX24q)
- Patented modular socket design allows easy switching of the lamp socket from 4 pin mode for DIrect installation with electronic ballast to 2 pin mode for DIrect installation with magnetic ballast or BYPass installation without ballast in the field
- Embedded universal driver suitable for electronic ballast, magnetic ballast or no-ballast environments
- SelectKelvin technology - field selectable color temperature in 2700K, 3000K, 3500K, and 4000K
- 0-10V dimmable (ballast dependent)¹
- Omni directional light distribution equivalent to fluorescent lamps
- May be installed horizontally and vertically
- Exceptional high efficacy up to 141 LPW
- Shatter-resistant plastic construction for durable protection
- Suitable for damp locations and totally enclosed fixtures²
- UL Listed and UL Classified
- Lamp ambient temperature: -4°F to 113°F (-20°C to 45°C)
- Fixture operating temperature: -4°F to 95°F (-20°C to 35°C)
- Rated lifetime (L70): 50,000hrs
- 5 year limited warranty³ / 10 year available (see EXTENDED WARRANTIES table for information)
- NSF (National Sanitation Foundation) certified for Food Zone (Non-Contact), Splash, and Non-Food Zones



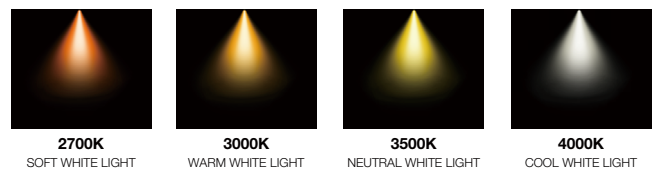
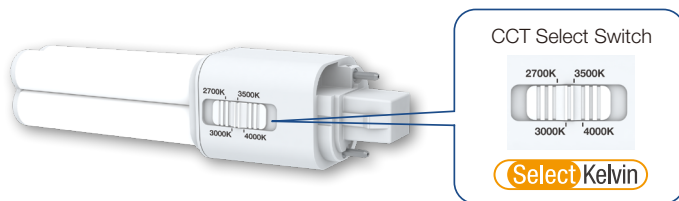
DIGITAL NAVIGATION

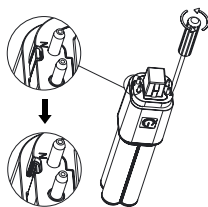
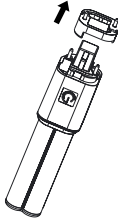
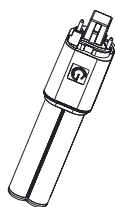
Explore the spec sheet through the links below

- [SPECIFICATIONS](#)
- [DIMENSION & WEIGHT](#)
- [MINIMUM COMPARTMENT DIMENSIONS](#)
- [TEMPERATURE](#)
- [INSTALLATION](#)
- [ACCESSORY ORDERING INFORMATION](#)
- [LOGISTIC INFORMATION](#)
- [EXTENDED WARRANTIES](#)



FOCUS FEATURE



<p>The revolutionary modular socket design of the PinFit PL Omni allows easy switch of the lamp socket from G24q to G24d in the field, offering great installation versatility. Simply use a screwdriver to pry open the buckle and remove the modular socket and the transformation from a 4 pins lamp to a 2 pins lamp is done.</p>	<p>Step 1 Pry open the buckle</p> 	<p>Step 2 Remove the modular socket</p> 	<p>Step 3 Lamp is transformed into 2 pins mode</p> 
---	---	--	--

Note: All rights reserved. All sizes and specifications are subject to change at any time without notice.



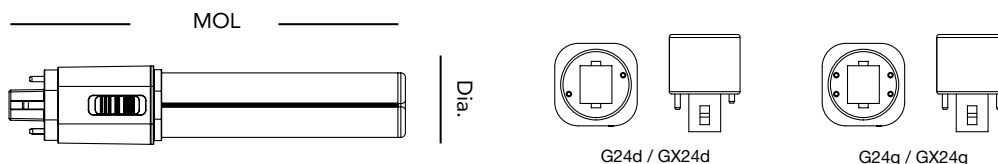
CCT SELECT PINFIT PL OMNI

SPECIFICATIONS

Product	Model	Equiv.	Lamp Base	Input Voltage	Wattage (W)	CCT ⁴	Lumens	Efficacy (LPW)	CRI	Power Factor	THD	Beam Angle	Dim. ¹	Fixture Rating ²	NSF
38861	6.8PLO/8CCTS/HYB/PF	13-18W	G24q or G24d	120-277V	6.8	2700K	860	126	82	0.9	<20%	360°	No	Enclosed	✓
						3000K	900	132							
						3500K	960	141							
						4000K	960	141							
38862	9PLO/8CCTS/HYB/PF/R	26W	G24q or G24d	120-277V	9	2700K	1,050	117	82	0.9	<20%	360°	Yes	Enclosed	✓
						3000K	1,100	122							
						3500K	1,200	133							
						4000K	1,200	133							

- FOOTNOTES:
- Ballast Dependent. Please refer to www.greencreative.com for full ballast and dimmer compatibility list.
 - Suitable for use in totally enclosed fixtures. Please make sure the minimum dimensions of the lamp compartment in the fixture meet the guidelines in the installation guide.
 - Please visit www.greencreative.com for Limited Warranty terms.
 - Factory setting at 4000K CCT.

DIMENSION & WEIGHT



Model	Compatible Base	MOL	Dia.	Weight
6.8PLO/8CCTS/HYB/PF	G24d, GX24d, G24q & GX24q	5-11/16"	1-3/8"	0.19 lb
9PLO/8CCTS/HYB/PF/R		6-7/8"	1-3/8"	0.22 lb

MINIMUM COMPARTMENT DIMENSIONS

Note – the base of this lamp is 1-3/8” by 1-3/8” and the opening in the reflector should be a minimum of 1-3/8” by 1-3/8” to insure a proper fit. For non-enclosed rated applications the minimum compartment must follow the below guidelines.

Non-enclosed Fixture Horizontal Installation	Model Number		6.8PLO/8CCTS/HYB/PF	9PLO/8CCTS/HYB/PF/R
		Lamp Compartment Dimensions	Diameter	6-1/8"
Height			4-3/4"	4-3/4"
Maximum Lamps in Luminaire		2		2
Lampholder-to-Lampholder Spacing		3/8"		3/8"
Non-enclosed Fixture Vertical Installation	Model Number		6.8PLO/8CCTS/HYB/PF	9PLO/8CCTS/HYB/PF/R
	Lamp Compartment Dimensions	Diameter	4-1/2"	6-5/16"
		Height	9-1/16"	9-1/16"
Maximum Lamps in Luminaire		1		1

For enclosed rated applications the minimum compartment must follow the below guidelines.

Wall Mounted Enclosed Fixture Installation	Model Number		6.8PLO/8CCTS/HYB/PF	9PLO/8CCTS/HYB/PF/R
	Lamp Compartment Dimensions	Length	11-13/16"	11-13/16"
		Width	6-5/16"	6-5/16"
		Height	2-3/4"	2-3/4"
Maximum Lamps in Luminaire		2		2
Lampholder-to-Lampholder Spacing		1-7/8"		1-7/8"

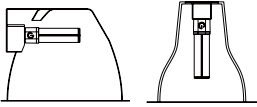
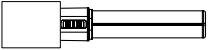
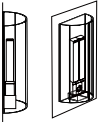
Product warranty is defined based on the condition of above minimum compartment size, maximum lamps in glass/metal luminaire.

Note: All rights reserved. All sizes and specifications are subject to change at any time without notice.

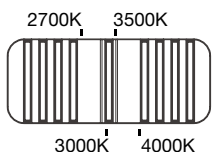


CCT SELECT PINFIT PL OMNI

TEMPERATURE

Fixture operating temperature		Lamp ambient temperature	
 <p>Non-enclosed Fixture</p>	-4°F to 95°F (-20°C to 35°C)	 <p>6.8PLO/8CCTS/HYB/PF 9PLO/8CCTS/HYB/PF/R</p>	-4°F to 113°F (-20°C to 45°C)
 <p>Wall Mounted Enclosed Fixture</p>			

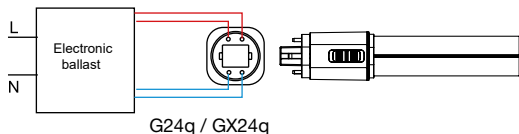
INSTALLATION



Adjust the CCT select switch to proper CCT position.
Note: Do not adjust the CCT select switch when power on.

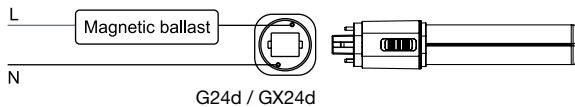
DIRECT INSTALLATION – ELECTRONIC BALLAST – DEFAULT 4 PIN MODE

When used with an electronic ballast, the PLO PinFit can function as a plug & play lamp and operate with the existing ballast at default 4 pin mode.



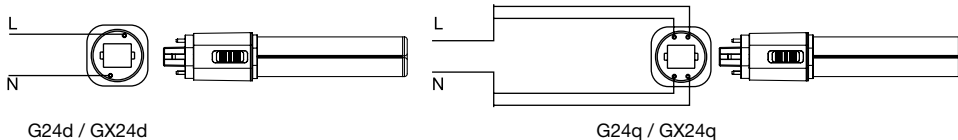
DIRECT INSTALLATION – MAGNETIC BALLAST – 2 PIN MODE

When used with a magnetic ballast, the PLO PinFit can function as a plug & play lamp and operate with the existing ballast by transferring to 2 pin mode.

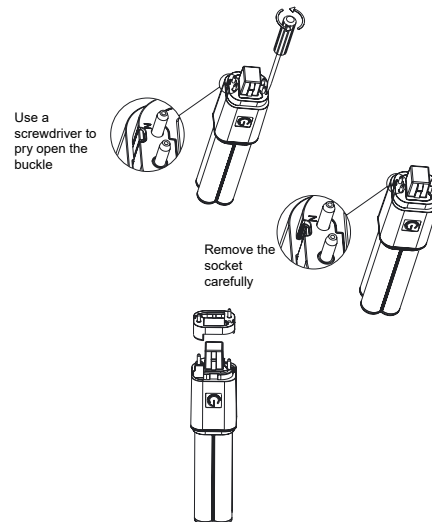


BYPASS INSTALLATION – NO BALLAST – 2 PIN MODE

If the ballast is not compatible, it can be bypassed and the lamp can run directly off line voltage by transferring to 2 pin mode.



Transfer lamp from 4 pin mode to 2 pin mode





CCT SELECT PINFIT PL OMNI

ACCESSORY ORDERING INFORMATION

Product	Model	Description	Pictures	Dimensions	Compatible Skus
37934	8EMINVERTER	California Title 20 Compliant 8W Emergency LED Inverter (Field Installation)			6.8PLO/8CCTS/HYB/PF 9PLO/8CCTS/HYB/PF/R

LOGISTIC INFORMATION

Model	Master Carton			Shipping Carton		
	Case Qty	Case Dimensions (LxWxH)	Case Weight	Case Qty	Case Dimensions (LxWxH)	Case Weight
6.8PLO/8CCTS/HYB/PF	6PCS	6-1/8" x 4-3/4" x 3-3/8"	1.45lb	24PCS	13-3/16" x 10-7/16" x 4-3/4"	6.2lb
9PLO/8CCTS/HYB/PF/R	6PCS	7-5/16" x 4-11/16" x 3-3/8"	1.72lb	24PCS	15-3/8" x 10-7/16" x 4-3/4"	7.5lb

EXTENDED WARRANTIES⁵

Model	Description
6.8PLO/8CCTS/HYB/PF/10YEARWARRANTY	10 Year warranty for 6.8PLO/8CCTS/HYB/PF
9PLO/8CCTS/HYB/PF/R/10YEARWARRANTY	10 Year warranty for 9PLO/8CCTS/HYB/PF/R

FOOTNOTES:
5. Warranty based on a maximum of 4,368 annual operating hours (per year for ten years) and exposure to a maximum ambient temperature of 80°F / 27°C.