

Project Name:	Type:
Part Number:	Date:

# PREMIUM FILAMENT BULB FAMILY

## FEATURES

- Suitable to replace 11W, 25W, 40W and 60W incandescent
- Vintage look fits most decorative applications
- 320° omnidirectional beam angle
- Smooth dimming with most forward and reverse phase controls\*
- Comfortable warm diffused light
- Full glass construction
- Suitable for use in wet locations, not suitable for use in totally enclosed fixtures
- Fixture operating temperature: -13°F to 95°F (-25°C to 35°C)
- Lamp ambient temperature: -13°F to 113°F (-25°C to 45°C)
- Rated Lifetime (L70): 15,000hrs
- 3 year limited warranty\*\*



041224



## SPECIFICATIONS

Product	Model	Equiv.	CCT	Finish	Wattage (W)	Lumens (LM)	Efficacy (LPW)	Power Factor	Input Voltage	CRI	Beam Angle	Dim.*	UL Location	Fixture Rating	ES / T20
36075	3FT6DIM/820/A/R	25W	2000K	Amber	3	110	37	≥0.7	120V	82	320°	YES	Wet	Non-Enclosed	N.A. / N.A.
36077	1FS14/827/R	11W	2700K	Clear	1	55	55	≥0.7	120V	82	320°	NO	Wet	Non-Enclosed	N.A. / N.A.
36078	1FS14/820/A/R	11W	2000K	Amber	1	35	35	≥0.7	120V	82	320°	NO	Wet	Non-Enclosed	N.A. / N.A.
36082	9FA19DIM/927/R	60W	2700K	Clear	9	810	90	≥0.7	120V	92	320°	YES	Wet	Non-Enclosed	√ / √
36083	9FA19DIM/927/FR/R	60W	2700K	Frosted	9	810	89	≥0.7	120V	92	320°	YES	Wet	Non-Enclosed	√ / √
36084	7.5FA19DIM/820/A/R	60W	2000K	Amber	7.5	600	80	≥0.7	120V	82	320°	YES	Wet	Non-Enclosed	N.A. / N.A.
36085	7.5FA19DIM/827/SB/R	60W	2700K	Silver Bowl	7.5	700	93	≥0.7	120V	82	320°	YES	Wet	Non-Enclosed	N.A. / N.A.

\* This lamp might not be compatible with all dimmers. Please visit [www.greencreative.com](http://www.greencreative.com) for compatibility information.

\*\* Please visit [www.greencreative.com](http://www.greencreative.com) for Limited Warranty terms.

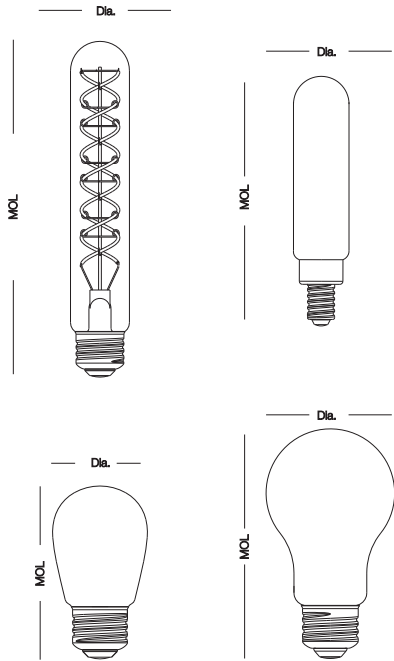
Project Name:	Type:
Part Number:	Date:



GREENCREATIVE

# PREMIUM FILAMENT BULB FAMILY

## DIMENSION & WEIGHT



Product	Model	Base	MOL	Dia.	Weight
36075	3FT6DIM/820/A/R	E12	3-9/16"	15/16"	0.03lb
36076	3.5FT10DIM/820/A/R	E26	7-7/16"	1-1/8"	0.1lb
36077	1FS14/827/R	E26	3-3/8"	1-3/4"	0.04lb
36078	1FS14/820/A/R	E26	3-3/8"	1-3/4"	0.04lb
36080	5FA19DIM/927/FR/R	E26	4-3/16"	2-3/8"	0.07lb
36082	9FA19DIM/927/R	E26	4-3/16"	2-3/8"	0.07lb
36083	9FA19DIM/927/FR/R	E26	4-3/16"	2-3/8"	0.07lb
36084	7.5FA19DIM/820/A/R	E26	4-3/16"	2-3/8"	0.07lb
36085	7.5FA19DIM/827/SB/R	E26	4-3/16"	2-3/8"	0.07lb

## ORDERING INFORMATION

Model	Product Series	Master Carton			Shipping Carton		
		Case Qty	Case Dimensions (LxWxH)	Case Weight	Case Qty	Case Dimensions (LxWxH)	Case Weight
36075	3FT6DIM/820/A/R	6 PCS	4-15/16" x 3-5/16" x 4-3/4"	0.99lb	24 PCS	10-5/8" x 7-1/2" x 5-5/16"	4.41lb
36076	3.5FT10DIM/820/A/R	12 PCS	4-11/16" x 3-3/16" x 8-5/8"	0.66lb	48PCS	10" x 7" x 9-7/16"	4.30lb
36077	1FS14/827/R	12 PCS	6-5/16" x 4-5/16" x 8-1/16"	1.01lb	48 PCS	13-3/16" x 9-1/4" x 8-5/8"	4.56lb
36078	1FS14/820/A/R	12 PCS	6-5/16" x 4-5/16" x 8-1/16"	1.01lb	48 PCS	13-3/16" x 9-1/4" x 8-5/8"	4.56lb
36080	5FA19DIM/927/FR/R	6 PCS	8 -1/4" x 5-9/16" x 5-1/8"	1.08lb	24 PCS	17-1/8" x 11-13/16" x 6-1/8"	4.78lb
36082	9FA19DIM/927/R	6 PCS	8 -1/4" x 5-9/16" x 5-1/8"	1.08lb	24 PCS	17-1/8" x 11-13/16" x 6-1/8"	4.78lb
36083	9FA19DIM/927/FR/R	6 PCS	8 -1/4" x 5-9/16" x 5-1/8"	1.08lb	24 PCS	17-1/8" x 11-13/16" x 6-1/8"	4.78lb
36084	7.5FA19DIM/820/A/R	6 PCS	8-1/4" x 5-1/2" x 5-5/16"	0.90lb	24 PCS	16-15/16" x 12-3/16" x 6-5/16"	4.34lb
36085	7.5FA19DIM/827/SB/R	6PCS	8 -1/4" x 5-9/16" x 5-1/8"	1.08lb	24 PCS	17-1/8" x 11-13/16" x 6-1/8"	4.78lb

## CERTIFICATION INFORMATION

Product	Model	ES ID#
36080	5FA19DIM/927/FR/R	2378397
36082	9FA19DIM/927/R	2378400
36083	9FA19DIM/927/FR/R	2378399

Note: All rights reserved. All sizes and specifications are subject to change at any time without notice.