

Project Name:	Type:
Part Number:	Date:

# PXCYL DIRECT AND INDIRECT CYLINDER

## SPECIFICATION FEATURES

- Mechanical** - Compact fixture body made from die cast aluminum. Proprietary selectable output driver and polycarbonate lens design provide high quality light to compliment any space. Fixture bodies are available in matte black and matte white, or additional customized colors. Available in Pendant, Swivel or Suspension cable configuration.
- Electrical** - Two selectable lumen output driver options with SelectDrive technology. The 120V, 50/60 Hz driver is forward or reverse phase dimmable to 5%. The 120-277V, 50/60 Hz driver is 0-10V dimmable to 5% with a low end cutoff and comes with a 12V auxiliary port that provides power for field installed sensors and control modules. Additional DualDim driver is also available, with 0-10V dimming down to 1% at 120-277V and Forward/Reverse phase dimming at 120V only. Emergency options are available for external field installation.
- Optical Direct (Down)** - Self-flanged spun aluminum reflector for direct distribution. 35° optical cutoff. Field interchangeable optical lenses. Five beam distributions range from 15°- 75° using TIR optic available for Direct distribution. Wall wash field installed accessory. COB LED binned to 3-step SDCM to ensure color uniformity in 3000K, 3500K or 4000K CCT. Minimum 90 CRI.
- Optical Indirect (Up)** - Proprietary Medium and Wide Optic. SMD LED array binned to 3-step SDCM to ensure color uniformity in 3000K, 3500K or 4000K CCT. Minimum 90 CRI.
- Thermal** - Die cast heat sink maximizes passive thermal management and achieves a L70 rated lifetime of 50,000 hours. Ambient temperature rated from -22°F to 95°F (-30°C to 45°C).
- Compliance and Warranty** - ETL Listed for damp locations. Complies with FCC 47CFR Part 15B consumer limits for EMI/RFI emissions. 5 year parts warranty for complete fixture. Optional 10 Year Extended Warranty available, subject to same terms, conditions and installation requirements as standard 5 Year Warranty. BAA Compliant Luminaire.



### DIGITAL NAVIGATION Explore the spec sheet through the links below

- [ORDERING GUIDE](#)
- [ACCESSORY ORDERING INFORMATION](#)
- [TECHNICAL INFORMATION](#)
- [PHOTOMETRY](#)
- [LINE DRAWINGS](#)
- [INSTALLATION](#)
- [NOMINAL PERFORMANCE](#)

## BENEFITS

- Central Mono-point suspension for clean up-light.
- Multiple finish and customization available to match any décor
- Pendant and cable mounting available
- Eliminate any indirect shadow and experience the cleanest and softest indirect lighting
- Special optical up-light design for a shallow non obstructive Cylinder

## SUITABLE APPLICATIONS

- Retail
- Hospitality
- Residential
- Education
- Healthcare

Note: All rights reserved. All sizes and specifications are subject to change at any time without notice.



# PXCYL DIRECT AND INDIRECT CYLINDER

## ORDERING GUIDE

PART #		Example: PXCYLDI4/CM/LE1305/930/DIM010UNV/SP/MD/RALxxxx/CC									
Series	Size	Mounting	Output (Direct/Indirect) <sup>2</sup>	CRI	CCT <sup>4</sup>	Driver	Optic Direct	Optic Indirect	Cylinder Finish	Reflector Finish Indirect	Options
<b>PXCYLDI</b> Indoor PXCYL Cylinder Direct/Indirect	<b>4</b> 4"	<b>CM<sup>1</sup></b> Cable Mount Ready	<b>LEM</b> Medium Light Engine 70% Direct (Down) 2150/1785/1275lm, 30% Indirect (Up) 850/695/475lm	<b>9</b> CRI 90+	<b>30</b> 3000K	<b>DIM120V</b> SelectDrive 120V	<b>SP</b> Spot 15° Beam Angle	<b>MD</b> Medium 60° Beam Angle	<b>WH</b> Matte White	<b>CC</b> Clear	For Emergency options please see field installable options below
	<b>6</b> 6"	<b>PM<sup>1</sup></b> Pendant Mount Ready	<b>LEL</b> Large Light Engine 70% Direct (Down) 3950/3400/2800lm, 30% Indirect (Up) 1650/1450/1200lm		<b>35</b> 3500K	<b>DIM010UNV</b> SelectDrive 0-10V	<b>VN</b> Very Narrow 25° Beam Angle	<b>WD</b> Wide 75° Beam Angle	<b>BL</b> Matte Black	<b>WH</b> White	
	*For Wall Mount option please see EXCYL Cylinder Series		<b>LExyy</b> Fixed Lumens 70% Direct (Down) xx= 21, 18, 13 / 40, 34, 28 Fixed Lumens 30% Indirect (Up) yy= 09, 07, 05 / 17, 15, 12		<b>40</b> 4000K	<b>DUALDIM1</b> 0-10V dimming to 1% at 120-277V, and Forward/Reverse phase dimming at 120V only.	<b>NR</b> Narrow 40° Beam Angle	<b>MD</b> Medium 60° Beam Angle	<b>WD</b> Wide 75° Beam Angle	<b>BZ<sup>3</sup></b> Bronze	

FOOTNOTES:  
 1. Cable and Pendant Mount ready for Stem or Cable Suspension, order Canopy type and length separately.  
 2. LEL (LE xx=40, 34, 28 yy= 17, 15, 12) are not available for 4" Cylinder.  
 3. Non-stock item: may be subject to extended lead time and minimum order quantity. Please contact factory for silver, bronze and customized finish color or customized reflectors for details.  
 4. CCT is the same direct and indirect

## MOUNTING AND CANOPY ACCESSORIES AND OPTIONS

PART #		Example: CABLECPY/WH/50/18/3	
Series	Color	Length <sup>2</sup>	Cord Type
<b>CABLECPY<sup>1</sup></b> Cable mount canopy for flat and slope ceiling (use with CM mounting only)	<b>WH</b> White	<b>50</b> Adjustable length up to 50" max.	<b>18/3</b> 3 x 18 AWG, for non Dimming or TRIAC/ELV
	<b>BL</b> Black	<b>72</b> Adjustable length up to 72" max.	<b>18/3-22/2</b> 3 x 18 AWG, 2 x 22 AWG (purple, pink), for 0-10V control and dimming and/or to connect a field installable micro inverter (FHUPS1-UNV-25L-SD)
	<b>CZ<sup>3</sup></b> Customized	<b>100</b> Adjustable length up to 100" max.	<b>18/4-22/2</b> 4 x 18 AWG, 2 x 22 AWG, for emergency wiring with field installable EM driver (FHSCP-UNV-10.7WL(-CEC))
		<b>CZ<sup>3</sup></b> Customized	

PART #		Example: STEMSCCPY/3-8/WH/12/18/3	
Series	Color	Length	Cord Type
<b>STEMSCCPY/3-8<sup>1</sup></b> Pendant Canopy with 3/8 IPS Stem for flat and slope ceiling up to 45° (Use with PM only)	<b>WH</b> White	<b>12</b> 12" long	<b>18/3</b> 3 x 18 AWG, for non Dimming or TRIAC/ELV
	<b>BL</b> Black	<b>24</b> 24" long	<b>18/3-22/2</b> 3 x 18 AWG, 2 x 22 AWG (purple, pink), for 0-10V control and dimming and/or to connect a field installable micro inverter (FHUPS1-UNV-25L-SD)
		<b>36</b> 36" long	<b>18/4-22/2</b> 4 x 18 AWG, 2 x 22 AWG, for emergency wiring with field installable EM driver (FHSCP-UNV-10.7WL(-CEC))
		<b>48</b> 48" long	
		<b>CZ<sup>3</sup></b> Customized	

FOOTNOTES:  
 1. The Stem and cable canopies can be used for both plane and slope ceiling.  
 2. Cord length will be approximately 12" longer than cable or Stem.  
 3. Please contact factory for customized color and length.  
 4. Stem Conduit Canopy only available for flat ceiling.

Note: All rights reserved. All sizes and specifications are subject to change at any time without notice.

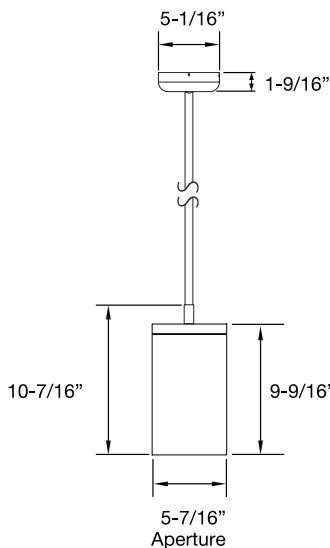


# PXYCL DIRECT AND INDIRECT CYLINDER

## LINE DRAWINGS

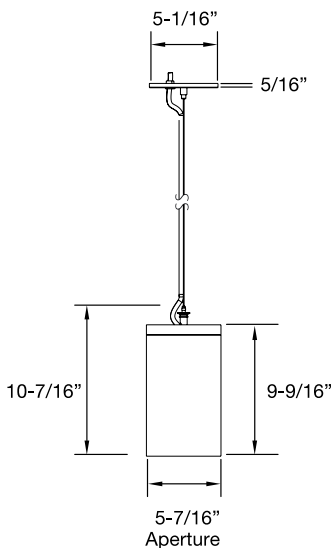
### 4 INCH

#### PENDANT



Shown with STEMSCOPY/3-8 Mounting Option

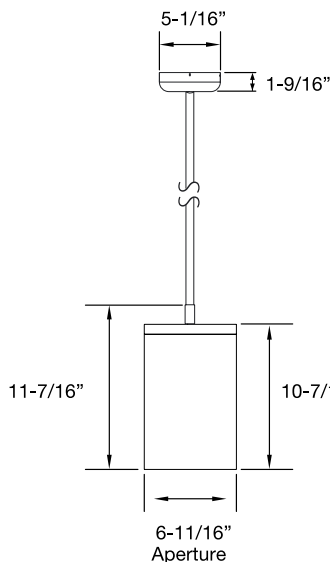
#### CABLE



Shown with CABLECOPY Mounting Option

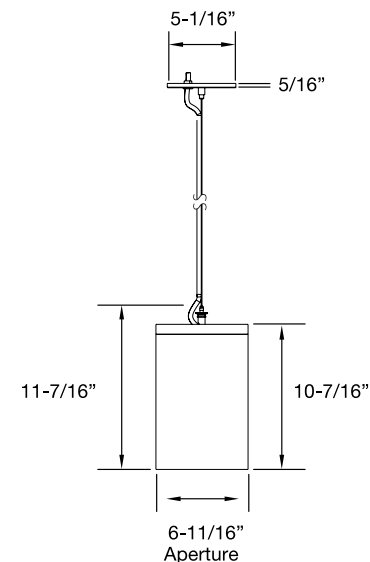
### 6 INCH

#### PENDANT



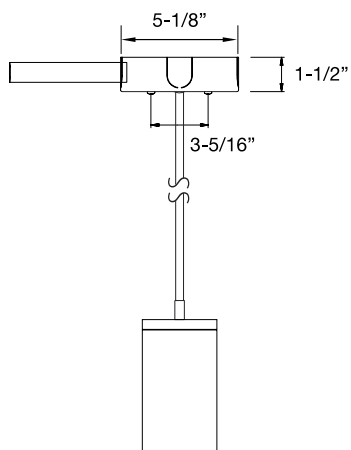
Shown with STEMSCOPY/3-8 Mounting Option

#### CABLE



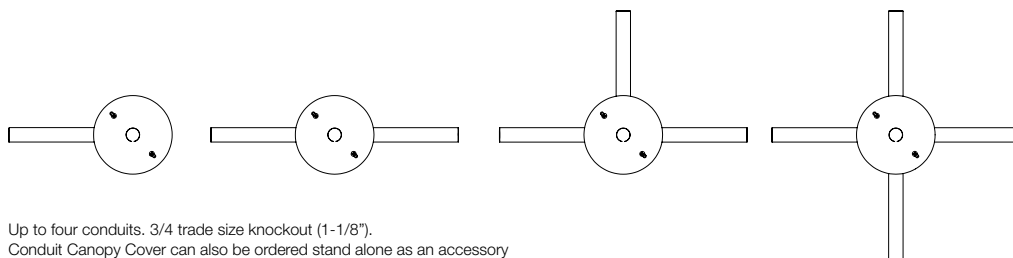
Shown with CABLECOPY Mounting Option

### CONDUIT CANOPY PENDANT



Shown with STEMCDTFCCPY/3-8 Mounting Option

### CONDUIT CONFIGURATION OPTIONS



Up to four conduits. 3/4 trade size knockout (1-1/8").  
Conduit Canopy Cover can also be ordered stand alone as an accessory to complete your project (please see accessory table)



# PXYL DIRECT AND INDIRECT CYLINDER

ACCESSORY ORDERING INFORMATION				
Product	Model	Description	Pictures	Dimensions
98079	ADWAW	Wall Wash (Field installed on Module, for Direct Optic only)		
JCOV-WH	JCOV-WH	White finish, decorative Jbox cover, with 4 side conduit pass-through.		
JCOV-BK	JCOV-BK	Black finish, decorative Jbox cover, with 4 side conduit pass-through.		
37934	8EMINVERTER	California Title 20 Compliant 8W Emergency LED Inverter (Field Installation) Compatible for 0-10V dimming models.		
38096	24EMINVERTER	California Title 20 Compliant 24W Emergency LED Inverter (Field Installation) Compatible for 0-10V dimming models.		
FHUPS1-UNV-25L-SD	FHUPS1-UNV-25L-SD	25W Emergency Micro Inverter for field installation to use with 0-10V Driver options. 100-277VAC (up to 150W with use of 0-10V dimming). CEC Compliant.		
FHSCP-UNV-10.7WL	FHSCP-UNV-10.7WL	10.7W Emergency Driver for field installation to use with 120V and non 0-10V Driver options for PM/CM mounting. CEC Compliant.		

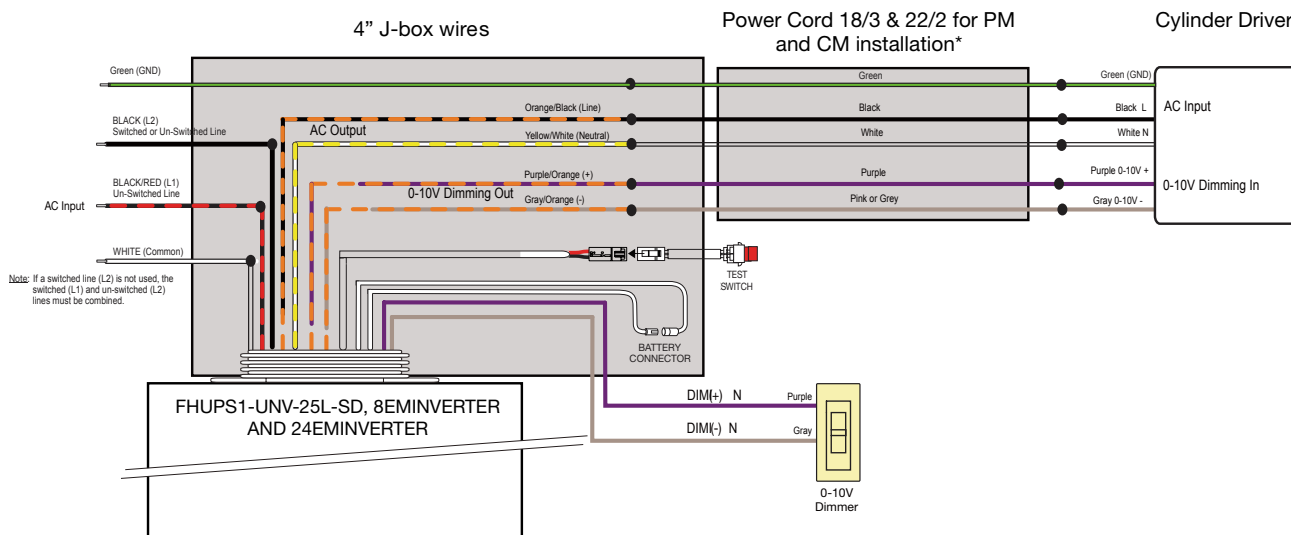
Note: For details of compatibility between each emergency solution and specific product models, please refer to the Products Emergency Compatibility Matrix file available on <https://greencreative.com/emergency-accessories/>



# PXYCL DIRECT AND INDIRECT CYLINDER

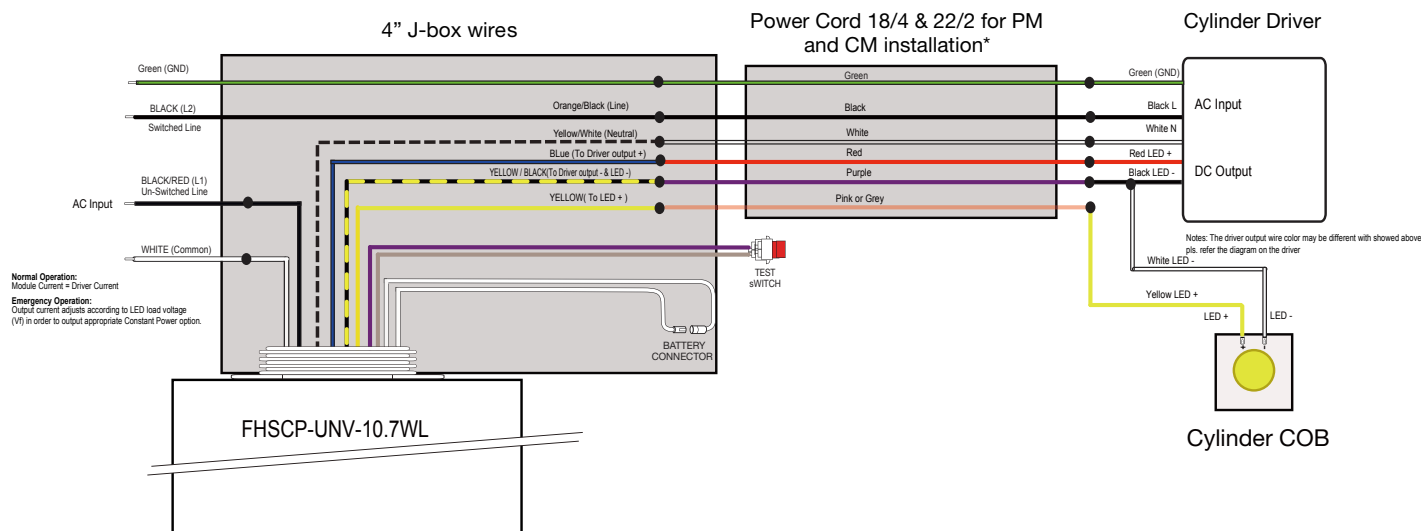
## INSTALLATION

### FHUPS1-UNV-25L-SD, 8EMINVERTER AND 24EMINVERTER FIELD WIRING DIAGRAM INSTALLATION



\*For SM installation power cord is not needed connect the EM driver directly to the driver.

### FHSCP-UNV-10.7WL(-CEC) FIELD WIRING DIAGRAM INSTALLATION



\*For SM installation power cord is not needed connect the EM driver directly to the driver and LED wires.



# PXCYL DIRECT AND INDIRECT CYLINDER

## TECHNICAL INFORMATION

Light Engine	Input Voltage	Input Frequency	Input Current		Max. Input Power	THD Power		Power Factor	
			120V	277V		120V	277V	120V	277V
LEM	120-277V	50-60Hz	0.270A	0.117A	31.5W	<20%	>0.9		
LEL			0.530A	0.230A	60W				
LE13/05			0.140A	0.075A	18W				
LE18/07			0.210A	0.100A	25.5W				
LE21/09			0.270A	0.117A	31.5W				
LE28/12			0.300A	0.155A	37.5W				
LE34/15			0.390A	0.190A	48.5W				
LE40/17			0.530A	0.230A	60W				

## NOMINAL PERFORMANCE

### LEM (LE13/05, LE18/07, LE21/09)

CCT		3000K						3500K						4000K					
Finish	Output	Low		Medium		High		Low		Medium		High		Low		Medium		High	
		lm	LPW	lm	LPW	lm	LPW	lm	LPW	lm	LPW	lm	LPW	lm	LPW	lm	LPW	lm	LPW
Clear Diffuse	Direct	1,250	94	1,650	90	2,150	92	1,275	96	1,750	95	2,190	94	1,300	98	1,820	98	2,240	95
N/A	Indirect	450	94	650	90	750	92	460	96	660	95	770	94	470	98	680	98	750	95
White Diffuse	Direct	1,250	94	1,650	90	2,150	92	1,275	96	1,750	95	2,190	94	1,300	98	1,820	98	2,240	95
N/A	Indirect	450	94	650	90	750	92	460	96	660	95	770	94	470	98	680	98	750	95

### LEL (LE28/12, LE34/15, LE40/17)

CCT		3000K						3500K						4000K					
Finish	Output	Low		Medium		High		Low		Medium		High		Low		Medium		High	
		lm	LPW	lm	LPW	lm	LPW	lm	LPW	lm	LPW	lm	LPW	lm	LPW	lm	LPW	lm	LPW
Clear Diffuse	Direct	2,500	96	3,100	90	3,500	83	2,550	98	3,160	93	3,570	85	2,600	100	3,220	94	3,640	87
N/A	Indirect	1,100	96	1,300	90	1,500	83	1,120	98	1,330	93	1,530	85	1,140	100	1,350	94	1,560	87
White Diffuse	Direct	2,500	96	3,100	90	3,500	83	2,550	98	3,160	93	3,570	85	2,600	100	3,220	94	3,640	87
N/A	Indirect	1,100	96	1,300	90	1,500	83	1,120	98	1,330	95	1,530	85	1,140	100	1,350	94	1,560	87

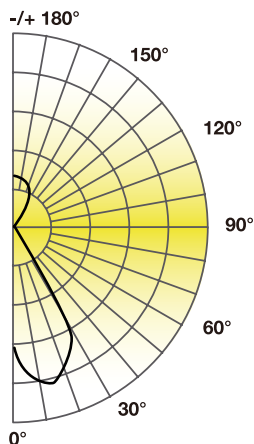
Note: All rights reserved. All sizes and specifications are subject to change at any time without notice.



# PXYCL DIRECT AND INDIRECT CYLINDER

## PHOTOMETRY

PXYCLDI4/PM/LEM/935/DIM010UNV/MD/MD/WH/CC



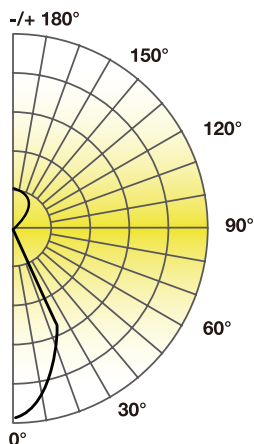
Lumens: 3,179 lm  
 CBCP: 1,620 cd  
 Power: 30 W  
 Efficacy: 108 lm/W  
 CRI: 95  
 Spacing Criteria: 1.0  
 Beam Angle: 68°

Initial Footcandles		
Height (ft)	Fc	Diameter (ft)
8	47	11
10	30	13
12	21	16
15	13	20
20	7	27

DOWN		
Candlepower Distribution		
Angle (°)	Average (cd)	
10	2,003	
20	1,999	
30	1,282	
40	410	
50	47	
60	16	
70	8	
80	6	
90	0	
Zonal Lumen Summary		
Zone	Lumens	%Fixt
0-30	1,568	49
0-40	2,036	63
0-60	2,178	68
0-90	2,201	69

UP		
Candlepower Distribution		
Angle (°)	Average (cd)	
180	653	
170	644	
160	573	
150	408	
140	258	
130	150	
120	78	
110	39	
100	20	
Zonal Lumen Summary		
Zone	Lumens	%Fixt
150-180	457	14
130-180	803	25
120-180	808	25
90-180	998	31

PXYCLDI6/PM/LEL/935/DIM010UNV/MD/MD/WH/CC



Lumens: 5,967 lm  
 CBCP: 5,508 cd  
 Power: 58 W  
 Efficacy: 103 lm/W  
 CRI: 95  
 Spacing Criteria: 0.8  
 Beam Angle: 55°

Initial Footcandles		
Height (ft)	Fc	Diameter (ft)
8	112	8
10	72	10
12	50	12
15	32	16
20	18	21

DOWN		
Candlepower Distribution		
Angle (°)	Average (cd)	
10	4,837	
20	3,597	
30	2,435	
40	581	
50	27	
60	15	
70	11	
80	9	
90	0	
Zonal Lumen Summary		
Zone	Lumens	%Fixt
0-30	3,042	50
0-40	3,937	65
0-60	4,069	68
0-90	4,103	68

UP		
Candlepower Distribution		
Angle (°)	Average (cd)	
180	1,232	
170	1,219	
160	1,092	
150	776	
140	489	
130	284	
120	150	
110	74	
100	52	
Zonal Lumen Summary		
Zone	Lumens	%Fixt
150-180	866	14
130-180	1,709	30
120-180	1,828	29
90-180	1,891	32

Note: All rights reserved. All sizes and specifications are subject to change at any time without notice.