

Project Name:	Type:
Part Number:	Date:

# PXCYL CYLINDER 8"

## SPECIFICATION FEATURES

- Mechanical** - Compact fixture body made from die cast aluminum. Proprietary selectable output driver and polycarbonate lens design provide high quality light to compliment any space. Fixture bodies are available in matte black and matte white, or additional customized colors. Available in Surface, Pendant, Swivel, Suspension cable or Wall mount configuration.
- Electrical** - Two selectable lumen output driver options with SelectDrive technology. The 120V, 50/60 Hz driver is forward or reverse phase dimmable to 5%. The 120-277V, 50/60 Hz driver is 0-10V dimmable to 5% with a low end cutoff and comes with a 12V auxiliary port that provides power for field installed sensors and control modules. Static lumen output driver options include the Lutron Hi-Lume 1% EcoSystem driver with Soft-On, Fade-to-Black which dims to 1%. EldoLED ECOdrive and SOLOdrive drivers are available in 0-10V and DALI configurations and dim smoothly to 1% and 0.1% respectively. Enlighted compact sensors and Philips EasySense sensors are field installable and directly integrate with the factory provided Philips Xitanium driver and Sensor Ready bridge. Features optional integrated 6W emergency driver for maintaining a visually appealing consistency, other emergency options for higher power are also available for external field installation.
- Optical** - Flanged spun aluminum reflector. 45° optical cutoff. Field interchangeable optical lenses. Five beam distributions ranging from 15°-75°. Wall wash field installed accessory. COB LED binned to 3-step SDCM to ensure color uniformity in 2700K, 3000K, 3500K, 4000K or 5000K CCT. Minimum 90 CRI. 97 CRI with TRUE CHROMA available in 3000K only.
- Thermal** - Die cast heat sink maximizes passive thermal management and achieves an L70 rated lifetime of 50,000 hours. Fixture operating temperature: -22°F to 95°F (-30°C to 35°C). With EM-INT option fixture should be installed in a controlled environment with ambient temperature not exceeding 77°F (25°C).
- Compliance and Warranty** - ETL Listed for damp location, WET location available for Surface Mount and Wall Mount downlighting under covered ceiling. Complies with FCC 47CFR Part 15B consumer limits for EMI/RFI emissions. 5 year parts warranty for complete fixture. Optional 10 Year Extended Warranty available, subject to same terms, conditions and installation requirements as standard 5 Year Warranty.



041624



## BENEFITS

- Get the right amount of light with SelectDrive technology
- Multiple finish and customization available to match any décor
- Surface, Pendant, Cable, Down-wall and Up-wall mounting options are available.
- Field interchangeable optics ensure smooth light levels
- Large variety of dimming and sensor control options
- Integrated EM option for ease of maintenance and product installation.

## APPLICATIONS

- Retail
- Hospitality
- Residential
- Education
- Healthcare



# PXCYL CYLINDER 8"

## ORDERING INFORMATION

ORDERING EXAMPLE: PXCYL8/SM/LEM9035/KDIM010UNV/MD/WH/CC

### SelectDrive Light Engine

PXCYL	8	/	/	/	/	/	/	/	/	/
Model Series	Size	Mounting	Light Engine <sup>9</sup>	CRI	CCT	Driver	Optical Distribution	Cylinder Finish	Reflector Finish	Options
<input type="checkbox"/> PXCYL PXCYL Cylinder	<input type="checkbox"/> 8 8"	<input type="checkbox"/> SM Surface Mount	<input type="checkbox"/> LES Small Light Engine 500-700-1000 lumens	<input type="checkbox"/> 90 CRI 90+	<input type="checkbox"/> 27 <sup>3</sup> 2700K	<input type="checkbox"/> KDIM120V SelectDrive 120V, 50/60Hz Forward/Reverse phase dimming	<input type="checkbox"/> SP Spot 15° Beam Angle	<input type="checkbox"/> WH Matte White	<input type="checkbox"/> CC Clear	<input type="checkbox"/> EM-INT <sup>8</sup> 6W Integrated EM Backup CEC Compliant
		<input type="checkbox"/> CM <sup>1</sup> Cable Mount Ready	<input type="checkbox"/> LEM Medium Light Engine 1500-2000-2500 lumens	<input type="checkbox"/> 97 <sup>2,3</sup> 97 CRI 3000K TRUE CHROMA	<input type="checkbox"/> 30 3000K	<input type="checkbox"/> KDIM010UNV SelectDrive 120-277V, 50/60Hz 0-10V dimming	<input type="checkbox"/> VN Very Narrow 25° Beam Angle	<input type="checkbox"/> BL Matte Black	<input type="checkbox"/> WH White	<input type="checkbox"/> WET <sup>7</sup> Wet Location Ready
		<input type="checkbox"/> PM <sup>1</sup> Pendant Mount Ready	<input type="checkbox"/> LEL Large Light Engine 3000-4000-5000 lumens		<input type="checkbox"/> 35 3500K		<input type="checkbox"/> NR Narrow 40° Beam Angle	<input type="checkbox"/> BZ <sup>4</sup> Bronze	<input type="checkbox"/> CZ <sup>4</sup> Customized	For additional Emergency options please see field installable options below
		<input type="checkbox"/> WM Wall Mount			<input type="checkbox"/> 40 4000K		<input type="checkbox"/> MD Medium 60° Beam Angle	<input type="checkbox"/> SV <sup>4</sup> Silver		
		<input type="checkbox"/> WMUP Wall Mount Up lighting			<input type="checkbox"/> 50 <sup>3</sup> 5000K		<input type="checkbox"/> WD Wide 75° Beam Angle	<input type="checkbox"/> CZ <sup>4</sup> Customized		

### Fixed Lumen Output Light Engine

PXCYL	8	/	/	/	/	/	/	/	/	/
Model Series	Size	Mounting	Light Engine	CRI	CCT	Driver	Optical Distribution	Cylinder Finish	Reflector Finish	Options
<input type="checkbox"/> PXCYL PXCYL Cylinder	<input type="checkbox"/> 8 8"	<input type="checkbox"/> SM Surface Mount	<input type="checkbox"/> LE05 500 lumens	<input type="checkbox"/> 90 CRI 90+	<input type="checkbox"/> 27 <sup>3</sup> 2700K	<input type="checkbox"/> PSRUNV 0-10V Xitanium Driver + SR Ready Bridge, 120-277V	<input type="checkbox"/> SP Spot 15° Beam Angle	<input type="checkbox"/> WH Matte White	<input type="checkbox"/> CC Clear	<input type="checkbox"/> ES <sup>5</sup> Philips EasySense CPM SNS211MC Ceiling Mount Sensor
		<input type="checkbox"/> CM <sup>1</sup> Cable Mount Ready	<input type="checkbox"/> LE07 700 lumens	<input type="checkbox"/> 97 <sup>2,3</sup> 97 CRI 3000K TRUE CHROMA	<input type="checkbox"/> 30 3000K	<input type="checkbox"/> XT010UNV 0-10V 1% Xitanium Driver, 120-277V	<input type="checkbox"/> VN Very Narrow 25° Beam Angle	<input type="checkbox"/> BL Matte Black	<input type="checkbox"/> WH White	<input type="checkbox"/> ENLS <sup>6</sup> -IL Enlighted Two Wire ENLIGHTED ONE Compact Sensor
		<input type="checkbox"/> PM <sup>1</sup> Pendant Mount Ready	<input type="checkbox"/> LE10 1,000 lumens		<input type="checkbox"/> 35 3500K	<input type="checkbox"/> LUT-1UNV Lutron EcoSystem 1% Dimming, 120-277V	<input type="checkbox"/> NR Narrow 40° Beam Angle	<input type="checkbox"/> BZ <sup>4</sup> Bronze	<input type="checkbox"/> CZ <sup>4</sup> Customized	<input type="checkbox"/> ENLS <sup>6</sup> -CL Enlighted Two Wire CONNECTED LIGHTING Compact Sensor
		<input type="checkbox"/> WM Wall Mount	<input type="checkbox"/> LE15 1,500 lumens		<input type="checkbox"/> 40 4000K	<input type="checkbox"/> LUT-L3DUNV Lutron Hi-Lume 3-Wire 1% Dimming, 120-277V	<input type="checkbox"/> MD Medium 60° Beam Angle	<input type="checkbox"/> SV <sup>4</sup> Silver		<input type="checkbox"/> ENLS <sup>6</sup> -IOT Enlighted Two Wire IOT Compact Sensor
		<input type="checkbox"/> WMUP Wall Mount Up lighting	<input type="checkbox"/> LE20 2,000 lumens		<input type="checkbox"/> 50 <sup>3</sup> 5000K	<input type="checkbox"/> ELD-E010UNV EldoLED ECOdrive 0-10V 1%, 120-277V	<input type="checkbox"/> WD Wide 75° Beam Angle	<input type="checkbox"/> CZ <sup>4</sup> Customized		<input type="checkbox"/> EM-INT <sup>8</sup> 6W Integrated EM Backup CEC Compliant
			<input type="checkbox"/> LE25 2,500 lumens			<input type="checkbox"/> ELD-EDALIUNV EldoLED ECOdrive DALI 1%, 120-277V				<input type="checkbox"/> WET <sup>7</sup> Wet Location Ready
			<input type="checkbox"/> LE30 3,000 lumens			<input type="checkbox"/> ELD-S010UNV EldoLED SOLOdrive 0-10V 0.1%, 120-277V				For additional Emergency options please see field installable options below
			<input type="checkbox"/> LE40 4,000 lumens			<input type="checkbox"/> ELD-SDALIUNV EldoLED SOLOdrive DALI 0.1%, 120-277V				
			<input type="checkbox"/> LE50 <sup>9</sup> 5,000 lumens			<input type="checkbox"/> OSRDIM010347V Osram OPTOTRONIC 0-10V 1%, 347V				

<sup>1</sup> Cable and Pendant Mount ready for Stem or Cable Suspension, order Canopy type and length separately. <sup>2</sup> TRUE CHROMA only available for 3000K, contact factory for detail and other CCT. <sup>3</sup> Non-stock item: may be subject to extended lead time and minimum order quantity. Please contact factory for details. <sup>4</sup> Please contact factory for silver, bronze and customized finish color or customized reflectors for feasibility and lead times. <sup>5</sup> Philips EasySense ceiling mounted sensor is only available with the PSRUNV driver. <sup>6</sup> Enlighted Two Wire Compact Sensor with ceiling mount is only available with the PSRUNV driver. <sup>7</sup> WET location are available only for Surface Mounted and Wall Mount downlighting under covered ceiling. WET location is not compatible with any sensor options. <sup>8</sup> EM-INT is integrated Emergency unit, factory installed, with test button on the Cylinder. Fixture with EM-INT should be installed in a controlled environment with ambient temperature not exceeding 77°F (25°C). <sup>9</sup> Factory setting at highest lumen output for selectable lumen outputs.



# PXCYL CYLINDER 8"

## MOUNTING AND CANOPY ACCESSORIES AND OPTIONS

ORDERING EXAMPLE: **CABLECPY/WH/50/18/3**

CABLECPY / / /			
Model Series	Color	Length <sup>2</sup>	Cord Type
<input type="checkbox"/> <b>CABLECPY<sup>1</sup></b> Cable mount canopy for flat and slope ceiling (use with CM mounting only)	<input type="checkbox"/> <b>WH</b> White	<input type="checkbox"/> <b>50</b> Adjustable length up to 50" max.	<input type="checkbox"/> <b>18/3</b> 3 x 18 AWG, for non Dimming or TRIAC/ELV
	<input type="checkbox"/> <b>BL</b> Black	<input type="checkbox"/> <b>72</b> Adjustable length up to 72" max.	<input type="checkbox"/> <b>18/3-22/2</b> 3 x 18 AWG, 2 x 22 AWG (purple, pink), for 0-10V control and dimming and/or to connect a field installable micro inverter (FHUPS1-UNV-25L-SD)
	<input type="checkbox"/> <b>CZ<sup>3</sup></b> Customized	<input type="checkbox"/> <b>100</b> Adjustable length up to 100" max.	<input type="checkbox"/> <b>18/4-22/2</b> 4 x 18 AWG, 2 x 22 AWG, for emergency wiring with EM-INT option or field installable EM driver (FHSCP-UNV-10.7WL(-CEC))
		<input type="checkbox"/> <b>CZ<sup>3</sup></b> Customized	

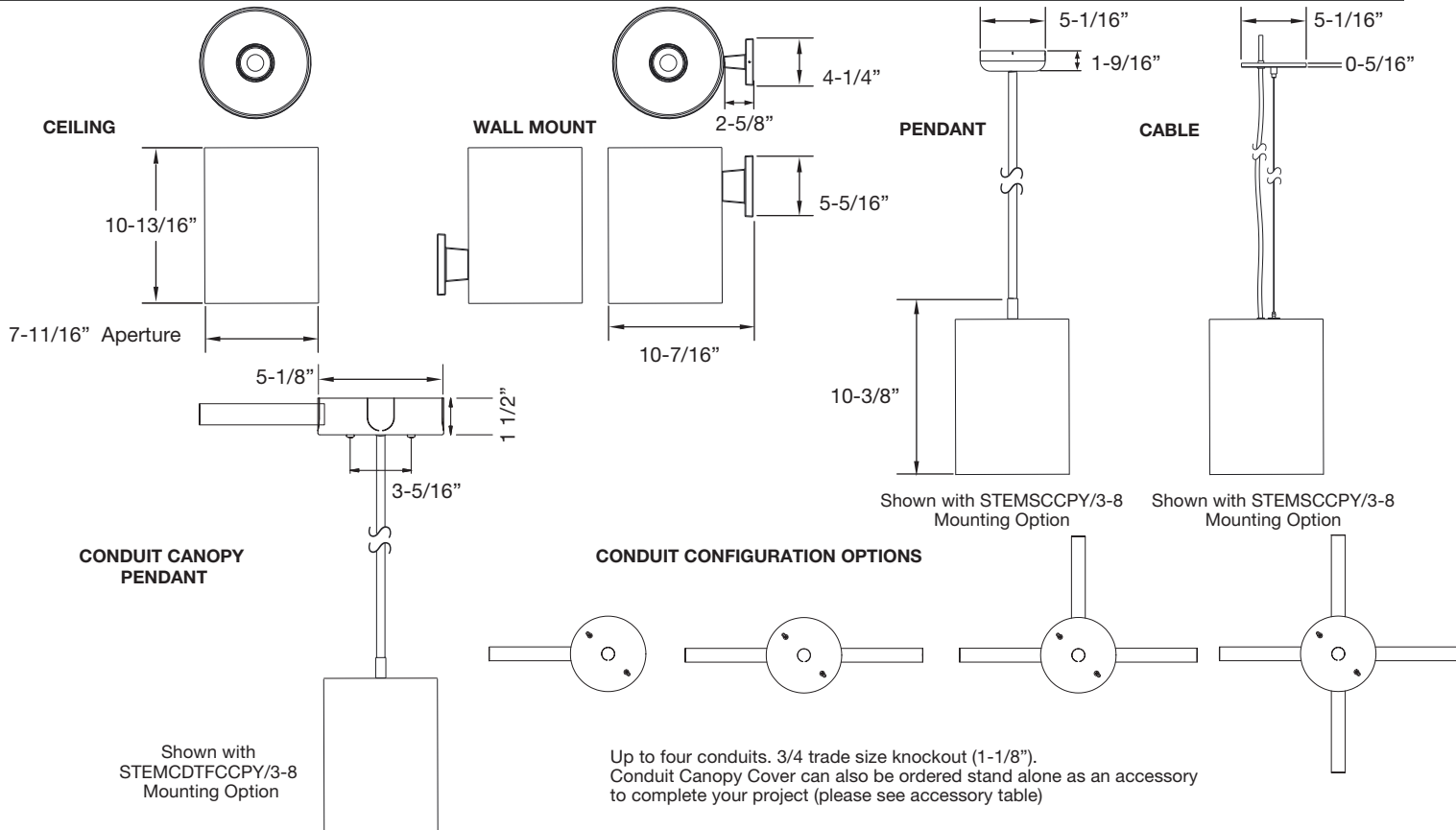
ORDERING EXAMPLE: **STEMSCCPY/3-8/WH/12/18/3**

STEMSCCPY/3-8 / / /			
Model Series	Color	Length <sup>2</sup>	Cord Type
<input type="checkbox"/> <b>STEMSCCPY/3-8<sup>1</sup></b> Pendant Canopy with 3/8 IPS Stem for flat and slope ceiling up to 45" (Use with PM only)	<input type="checkbox"/> <b>WH</b> White	<input type="checkbox"/> <b>12</b> 12" long	<input type="checkbox"/> <b>18/3</b> 3 x 18 AWG, for non Dimming or TRIAC/ELV
<input type="checkbox"/> <b>STEMCDTFCCPY/3-8<sup>4</sup></b> Jbox Cover Canopy with 3/8 IPS Stem, for flat ceiling with 4x side conduits pass (Use with PM only)	<input type="checkbox"/> <b>BL</b> Black	<input type="checkbox"/> <b>24</b> 24" long	<input type="checkbox"/> <b>18/3-22/2</b> 3 x 18 AWG, 2 x 22 AWG (purple, pink), for 0-10V control and dimming and/or to connect a field installable micro inverter (FHUPS1-UNV-25L-SD)
		<input type="checkbox"/> <b>36</b> 36" long	<input type="checkbox"/> <b>18/4-22/2</b> 4 x 18 AWG, 2 x 22 AWG, for emergency wiring with EM-INT option or field installable EM driver (FHSCP-UNV-10.7WL(-CEC))
		<input type="checkbox"/> <b>48</b> 48" long	
		<input type="checkbox"/> <b>CZ<sup>3</sup></b> Customized	

<sup>1</sup> The Stem and cable canopies can be used for both plane and slope ceiling. <sup>2</sup> Cord length will be approximately 12" longer than cable or Stem.

<sup>3</sup> Please contact factory for customized color and length. <sup>4</sup> Stem Conduit Canopy only available for flat ceiling.

## LINE DRAWINGS

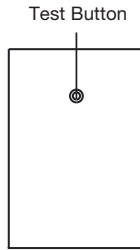




# PXCYL CYLINDER 8"

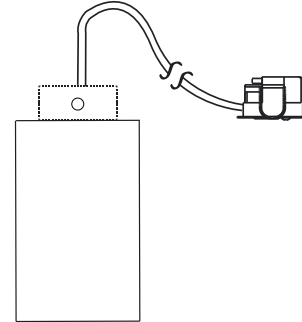
## LINE DRAWINGS

WITH EM-INT



EM Driver and Test button are integrated in the Cylinder and Factory installed. Test button is located on the upper part of the cylinder. Consult factory for additional options.

WITH SENSOR



Philips EasySense sensor shown in Surface mount installation. Enlighted compact sensor also available. Consult factory for additional options.

## ACCESSORY ORDERING INFORMATION

Product	Model	Description	Pictures	Dimensions
98079	ADWAW	Wall Wash (Field Installed on Module)		
JCOV-WH	JCOV-WH	White finish, decorative Jbox cover, with 4 side conduit pass-through.		
JCOV-BK	JCOV-BK	Black finish, decorative Jbox cover, with 4 side conduit pass-through.		

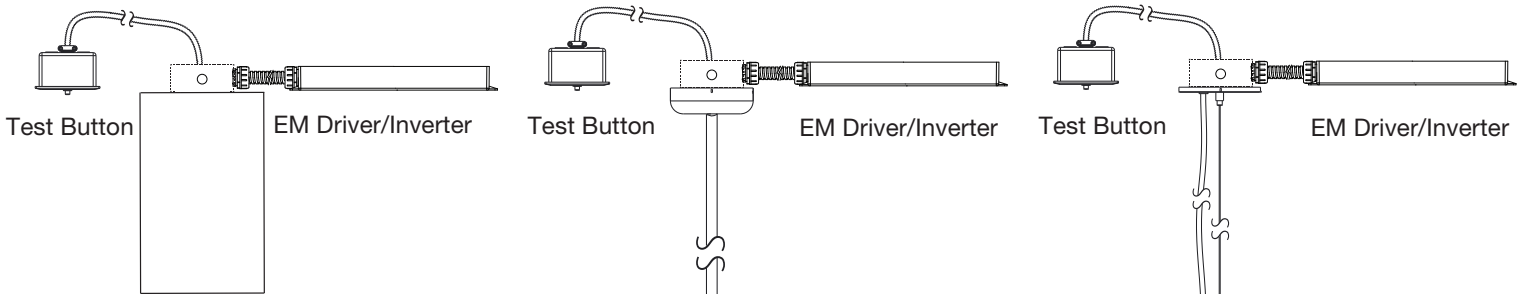
## FIELD INSTALLABLE EMERGENCY UNIT ORDERING INFORMATION

Product	Model	Description	Picture	Dimension
37934	8EMINVERTER	California Title 20 Compliant 8W Emergency LED Inverter (Field Installation) Compatible for 0-10V dimming models with LES, LEM and LEL light engines.		
37935	21EMINVERTER	California Title 20 Compliant 21W Emergency LED Inverter (Field Installation) Compatible for 0-10V dimming models with LES, LEM and LEL light engines, or 120V dimming models with LES light engine.		
FHUPS1-UNV-25L-SD	FHUPS1-UNV-25L-SD	25W Emergency Micro Inverter for field installation to use with 0-10V Driver options. 100-277VAC (up to 150W with use of 0-10V dimming). CEC Compliant.		
FHSCP-UNV-10.7WL	FHSCP-UNV-10.7WL	10.7W Emergency Driver for field installation to use with 120V and 0-10V Driver option in SM/WM mounting and 120V and non 0-10V Driver options for PM/CM mounting. CEC Compliant.		



# PXCYL CYLINDER 8"

## LINE DRAWINGS WITH OPTIONS

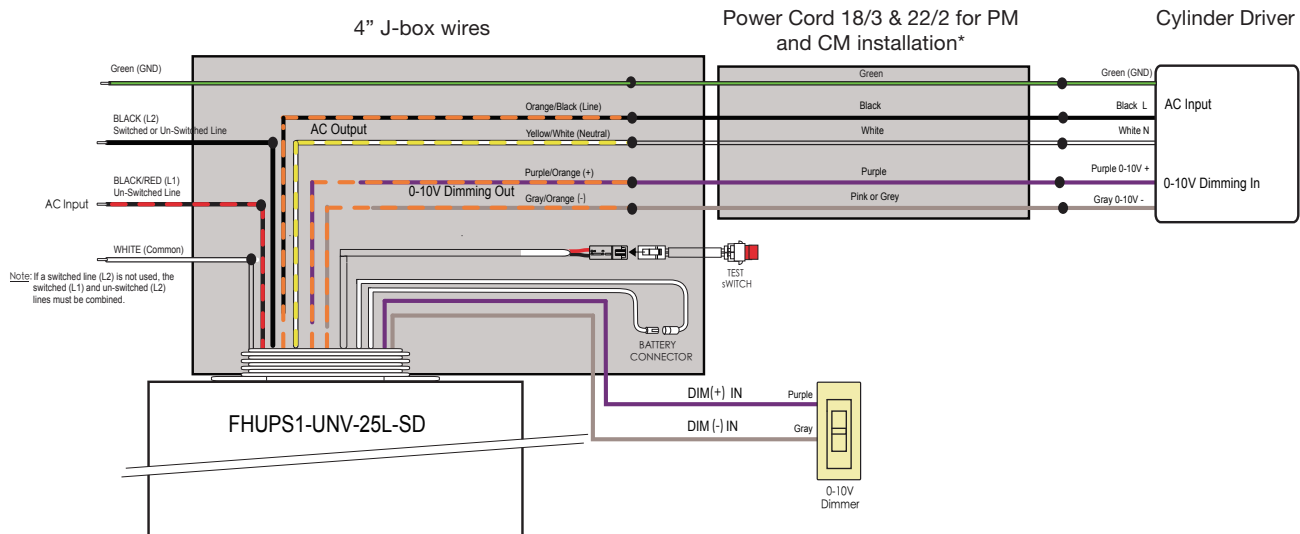


Field installable remote EM driver and Test button shown in surface mount installation. Electrical Box and Single gang j-box by others.

Field installable remote EM driver and Test button shown in Pendant Mount installation. Need to be use with 18-3/2-22 Type cord for FHUPS1-UNV-25L-SD or 18-4/22-2 for FHSCP-UNV-10.7WL/FHSCP-UNV-10.7WL-CEC Electrical Box and Single gang j-box by others.

Field installable remote EM driver and Test button shown in Cable Mount installation. Need to be use with 18-3/2-22 Type cord for FHUPS1-UNV-25L-SD or 18-4/22-2 for FHSCP-UNV-10.7WL/FHSCP-UNV-10.7WL-CEC Electrical Box and Single gang j-box by others.

## FHUPS1-UNV-25L-SD FIELD WIRING DIAGRAM INSTALLATION

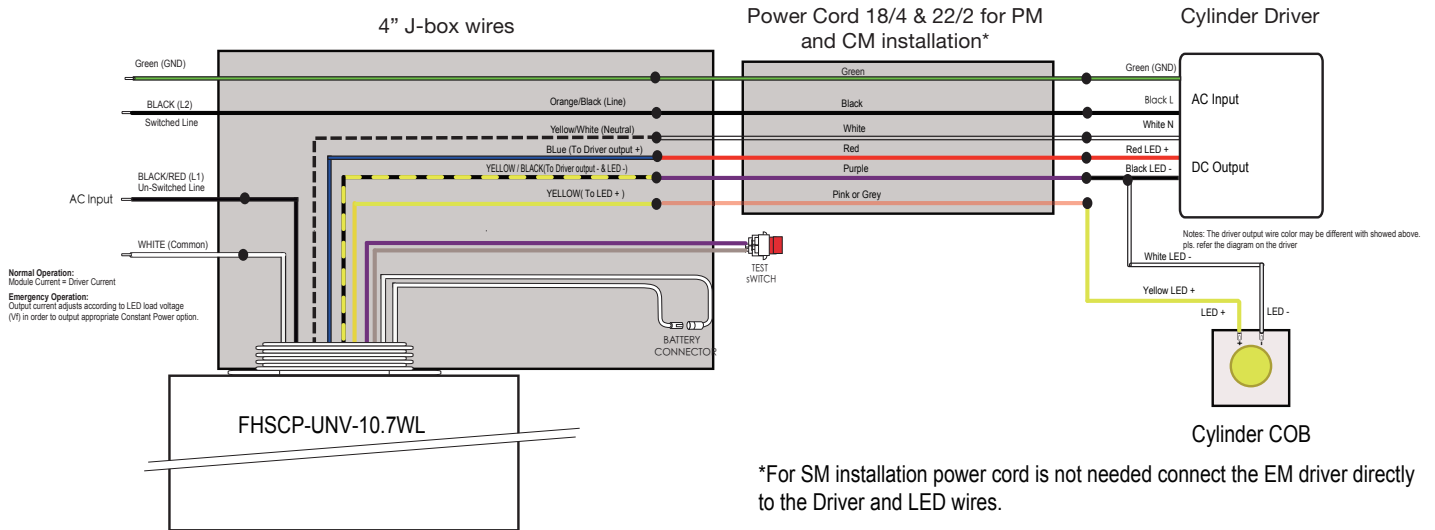


\*For SM installation power cord is not needed connect the EM driver directly to the Driver.



# PXCYL CYLINDER 8"

## FHSCP-UNV-10.7WL(-CEC) FIELD WIRING DIAGRAM INSTALLATION



### TECHNICAL INFORMATION

Light Engine	Input Voltage	Input Frequency	Input Current	Max. Input Power	THD Power	Power Factor
LES	120-277V	50-60Hz	0.115 / 0.047A	13W	<20%	>0.9
LEM			0.270 / 0.114A	31.5W		
LE05			0.056 / 0.024A	6.5W		
LE07			0.073 / 0.034A	8.5W		
LE10			0.112 / 0.047A	13W		
LE15			0.154 / 0.068A	18W		
LE20			0.218 / 0.092A	25.5W		
LE25			0.269 / 0.116A	31.5W		
LE30			0.318 / 0.133A	37.5W		
LE40			0.411 / 0.165A	48.5W		
LE50			0.487 / 0.203A	57.5W		



# PXCYL CYLINDER 8"

## NOMINAL PERFORMANCE

LES (LE05 / LE07 / LE10) - Low / Medium / High - 6.5 / 8.5 / 12.5W

CCT	2700K			3000K			3500K			4000K			5000K		
Output**	Low	Medium	High	Low	Medium	High	Low	Medium	High	Low	Medium	High	Low	Medium	High
Finish	lm LPW	lm LPW	lm LPW	lm LPW	lm LPW	lm LPW	lm LPW	lm LPW	lm LPW	lm LPW	lm LPW	lm LPW	lm LPW	lm LPW	lm LPW
Clear Diffuse	500 77	700 82	1,000 80	525 81	735 86	1,050 84	550 85	770 91	1,100 88	575 88	805 95	1,150 92	580 89	810 95	1,165 93
White Finish	500 77	700 82	1,000 80	525 81	735 86	1,050 84	550 85	770 91	1,100 88	575 88	805 95	1,150 92	580 89	810 95	1,165 93

LEM (LE15 / LE20 / LE25) - Low / Medium / High - 18.0 / 25.5 / 31.5W

CCT	2700K			3000K			3500K			4000K			5000K		
Output**	Low	Medium	High	Low	Medium	High	Low	Medium	High	Low	Medium	High	Low	Medium	High
Finish	lm LPW	lm LPW	lm LPW	lm LPW	lm LPW	lm LPW	lm LPW	lm LPW	lm LPW	lm LPW	lm LPW	lm LPW	lm LPW	lm LPW	lm LPW
Clear Diffuse	1,600 89	2,125 83	2,500 79	1,632 91	2,169 85	2,550 81	1,664 92	2,210 87	2,600 83	1,696 94	2,253 88	2,650 84	1,713 95	2,275 89	2,677 85
White Finish	1,600 89	2,125 83	2,500 79	1,632 91	2,169 85	2,550 81	1,664 92	2,210 87	2,600 83	1,696 94	2,253 88	2,650 84	1,713 95	2,275 89	2,677 85

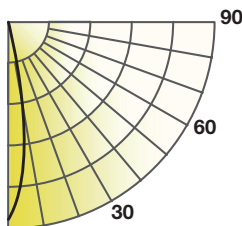
LEL (LE30 / LE40 / LE50) - Low / Medium / High - 37.5 / 48.5 / 60.0W

CCT	2700K			3000K			3500K			4000K			5000K		
Output**	Low	Medium	High	Low	Medium	High	Low	Medium	High	Low	Medium	High	Low	Medium	High
Finish	lm LPW	lm LPW	lm LPW	lm LPW	lm LPW	lm LPW	lm LPW	lm LPW	lm LPW	lm LPW	lm LPW	lm LPW	lm LPW	lm LPW	lm LPW
Clear Diffuse	3,325 69	4,085 84	4,750 79	3,360 90	4,080 84	4,800 80	3,500 93	4,250 88	5,000 83	3,640 97	4,420 91	5,200 87	3,640 97	4,420 91	5,200 87
White Finish	3,325 69	4,085 84	4,750 79	3,360 90	4,080 84	4,800 80	3,500 93	4,250 88	5,000 83	3,640 97	4,420 91	5,200 87	3,640 97	4,420 91	5,200 87

\*\* Lumen output are based on rated lumens, for exact value please refer to the IES files

## PHOTOMETRY

PXCYL8/xx/LES9035/KDIM010UNV/SP/xx/CC (High Output)



Lumens: 1,004 lm  
CBCP: 5,430 cd  
Power: 13 W  
Efficacy: 84 lm/W  
CRI: 92  
Spacing Criteria: 0.3  
Beam Angle: 18°

Candlepower Distribution	
Angle (°)	Average (cd)
10	2,270
20	647
30	303
40	83
50	5
60	1
70	0
80	0
90	0

Initial Footcandles		
Height (ft)	Fc	Diameter (ft)
8	53	3
10	34	3
12	23	4
15	15	5
20	8	6

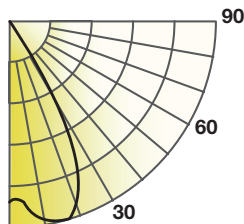
Zonal Lumen Summary		
Zone	Lumens	%Fixt
0-30	868	86
0-40	978	98
0-60	1,003	100
0-90	1,004	100



# PXCYL CYLINDER 8"

## PHOTOMETRY

PXCYL8/xx/LES9035/KDIM010UNV/VN/xx/CC (High Output)



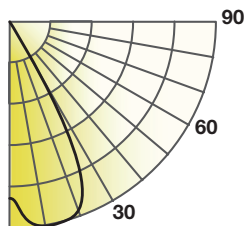
Lumens: 1,227 lm  
CBCP: 1,383 cd  
Power: 12 W  
Efficacy: 102 lm/W  
CRI: 92  
Spacing Criteria: 1.0  
Beam Angle: 25°

Candlepower Distribution	
Angle (°)	Average (cd)
10	2,578
20	1,313
30	722
40	145
50	7
60	2
70	0
80	0
90	0

Initial Footcandles		
Height (ft)	Fc	Diameter (ft)
8	60	4
10	38	4
12	27	5
15	17	7
20	10	9

Zonal Lumen Summary		
Zone	Lumens	%Fixt
0-30	971	79
0-40	1,201	98
0-60	1,226	100
0-90	1,227	100

PXCYL8/xx/LES9035/KDIM010UNV/NR/xx/CC (High Output)



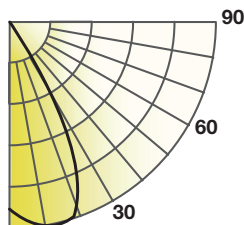
Lumens: 1,240 lm  
CBCP: 1,397 cd  
Power: 12 W  
Efficacy: 103 lm/W  
CRI: 92  
Spacing Criteria: 1.1  
Beam Angle: 44°

Candlepower Distribution	
Angle (°)	Average (cd)
10	1,326
20	1,266
30	729
40	146
50	7
60	2
70	0
80	0
90	0

Initial Footcandles		
Height (ft)	Fc	Diameter (ft)
8	31	6
10	20	8
12	14	10
15	9	12
20	5	16

Zonal Lumen Summary		
Zone	Lumens	%Fixt
0-30	981	79
0-40	1,213	98
0-60	1,238	100
0-90	1,239	100

PXCYL8/xx/LES9035/KDIM010UNV/MD/xx/CC (High Output)



Lumens: 1,251 lm  
CBCP: 1,510cd  
Power: 13 W  
Efficacy: 101 lm/W  
CRI: 92  
Spacing Criteria: 0.9  
Beam Angle: 59°

Candlepower Distribution	
Angle (°)	Average (cd)
10	1,490
20	1,331
30	661
40	142
50	3
60	0
70	0
80	0
90	0

Initial Footcandles		
Height (ft)	Fc	Diameter (ft)
8	35	9
10	22	11
12	15	14
15	10	17
20	6	23

Zonal Lumen Summary		
Zone	Lumens	%Fixt
0-30	1,022	82
0-40	1,231	98
0-60	1,250	100
0-90	1,250	100

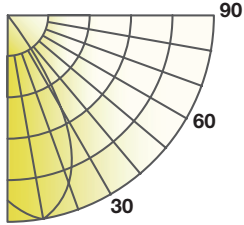




# PXCYL CYLINDER 8"

## PHOTOMETRY

PXCYL8/xx/LES9035/KDIM010UNV/WD/xx/CC (High Output)



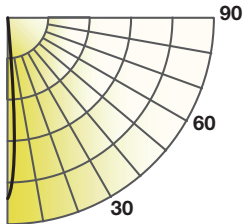
Lumens: 1,289 lm  
CBCP: 1,555 cd  
Power: 12 W  
Efficacy: 107 lm/W  
CRI: 92  
Spacing Criteria: 1.0  
Beam Angle: 81°

Candlepower Distribution	
Angle (°)	Average (cd)
10	1,534
20	1,371
30	680
40	145
50	3
60	0
70	0
80	0
90	0

Initial Footcandles		
Height (ft)	Fc	Diameter (ft)
8	36	14
10	23	17
12	16	21
15	10	26
20	6	34

Zonal Lumen Summary		
Zone	Lumens	%Fixt
0-30	1,053	82
0-40	1,268	98
0-60	1,288	100
0-90	1,288	100

PXCYL8/xx/LEM9035/KDIM010UNV/SP/xx/CC (High Output)



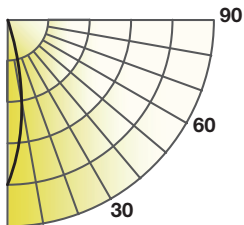
Lumens: 2,326 lm  
CBCP: 12,568 cd  
Power: 30 W  
Efficacy: 74 lm/W  
CRI: 92  
Spacing Criteria: 0.3  
Beam Angle: 18°

Candlepower Distribution	
Angle (°)	Average (cd)
10	530
20	149
30	70
40	19
50	1
60	0
70	0
80	0
90	0

Initial Footcandles		
Height (ft)	Fc	Diameter (ft)
8	12	3
10	8	3
12	5	4
15	3	5
20	2	6

Zonal Lumen Summary		
Zone	Lumens	%Fixt
0-30	2,007	86
0-40	2,263	97
0-60	2,321	100
0-90	2,324	100

PXCYL8/xx/LEM9035/KDIM010UNV/VN/xx/CC (High Output)



Lumens: 2,880 lm  
CBCP: 11,929cd  
Power: 30 W  
Efficacy: 92 lm/W  
CRI: 92  
Spacing Criteria: 0.4  
Beam Angle: 22°

Candlepower Distribution	
Angle (°)	Average (cd)
10	627
20	280
30	74
40	8
50	1
60	0
70	0
80	0
90	0

Initial Footcandles		
Height (ft)	Fc	Diameter (ft)
8	15	3
10	9	4
12	6	5
15	4	6
20	2	8

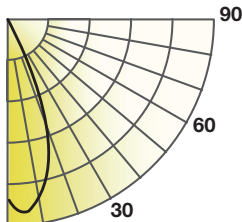
Zonal Lumen Summary		
Zone	Lumens	%Fixt
0-30	2,656	92
0-40	2,849	99
0-60	2,877	100
0-90	2,877	100



# PXCYL CYLINDER 8"

## PHOTOMETRY

PXCYL8/xx/LEM9035/KDIM010UNV/NR/xx/CC (High Output)



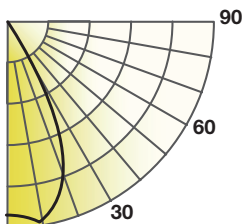
Lumens: 2,893 lm  
CBCP: 5,863 cd  
Power: 30 W  
Efficacy: 93 lm/W  
CRI: 92  
Spacing Criteria: 0.6  
Beam Angle: 43°

Candlepower Distribution	
Angle (°)	Average (cd)
10	5,449
20	3,437
30	941
40	85
50	5
60	1
70	0
80	0
90	0

Initial Footcandles		
Height (ft)	Fc	Diameter (ft)
8	127	6
10	81	8
12	56	9
15	36	12
20	20	16

Zonal Lumen Summary		
Zone	Lumens	%Fixt
0-30	2,637	91
0-40	2,869	99
0-60	2,890	100
0-90	2,891	100

PXCYL8/xx/LEM9035/KDIM010UNV/MD/xx/CC (High Output)



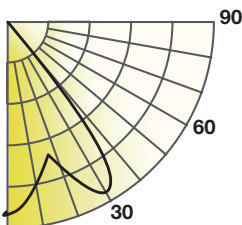
Lumens: 2,899 lm  
CBCP: 3,469 cd  
Power: 30 W  
Efficacy: 92 lm/W  
CRI: 92  
Spacing Criteria: 0.8  
Beam Angle: 59°

Candlepower Distribution	
Angle (°)	Average (cd)
10	3,437
20	3,108
30	1,534
40	332
50	7
60	2
70	0
80	0
90	0

Initial Footcandles		
Height (ft)	Fc	Diameter (ft)
8	80	9
10	51	11
12	35	14
15	23	17
20	13	23

Zonal Lumen Summary		
Zone	Lumens	%Fixt
0-30	2,362	82
0-40	2,846	98
0-60	2,895	100
0-90	2,896	100

PXCYL8/xx/LEM9035/KDIM010UNV/WD/xx/CC (High Output)



Lumens: 2,987 lm  
CBCP: 2,347 cd  
Power: 30 W  
Efficacy: 96 lm/W  
CRI: 92  
Spacing Criteria: 1.0  
Beam Angle: 79°

Candlepower Distribution	
Angle (°)	Average (cd)
10	1,843
20	1,858
30	2,260
40	1,022
50	17
60	4
70	1
80	0
90	0

Initial Footcandles		
Height (ft)	Fc	Diameter (ft)
8	43	13
10	27	16
12	19	20
15	12	25
20	7	33

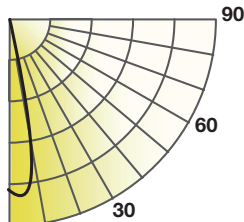
Zonal Lumen Summary		
Zone	Lumens	%Fixt
0-30	1,660	56
0-40	2,749	92
0-60	2,980	100
0-90	2,983	100



# PXCYL CYLINDER 8"

## PHOTOMETRY

PXCYL8/xx/LEL9035/KDIM010UNV/VN/xx/CC (High Output)



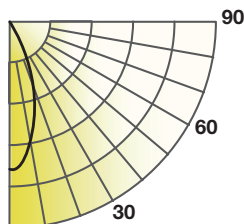
Lumens: 5,137 lm  
CBCP: 12,433 cd  
Power: 60 W  
Efficacy: 93 lm/W  
CRI: 92  
Spacing Criteria: 0.5  
Beam Angle: 31°

Candlepower Distribution	
Angle (°)	Average (cd)
10	862
20	487
30	245
40	19
50	2
60	1
70	0
80	0
90	0

Initial Footcandles		
Height (ft)	Fc	Diameter (ft)
8	20	4
10	13	6
12	9	7
15	6	8
20	3	11

Zonal Lumen Summary		
Zone	Lumens	%Fixt
0-30	4,442	87
0-40	5,047	98
0-60	5,125	100
0-90	5,132	100

PXCYL8/xx/LEL9035/KDIM010UNV/NR/xx/CC (High Output)



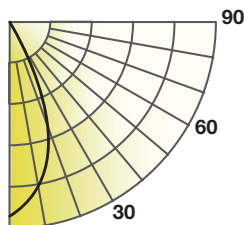
Lumens: 5,357 lm  
CBCP: 10,159 cd  
Power: 60 W  
Efficacy: 97 lm/W  
CRI: 92  
Spacing Criteria: 0.7  
Beam Angle: 44°

Candlepower Distribution	
Angle (°)	Average (cd)
10	811
20	559
30	229
40	20
50	2
60	0
70	0
80	0
90	0

Initial Footcandles		
Height (ft)	Fc	Diameter (ft)
8	19	6
10	12	8
12	8	10
15	5	12
20	3	16

Zonal Lumen Summary		
Zone	Lumens	%Fixt
0-30	4,581	86
0-40	5,299	99
0-60	5,348	100
0-90	5,348	100

PXCYL8/xx/LEL9035/KDIM010UNV/MD/xx/CC (High Output)



Lumens: 5,407 lm  
CBCP: 7,619 cd  
Power: 60 W  
Efficacy: 98 lm/W  
CRI: 92  
Spacing Criteria: 0.8  
Beam Angle: 53°

Candlepower Distribution	
Angle (°)	Average (cd)
10	6,456
20	4,744
30	3,281
40	719
50	18
60	6
70	2
80	0
90	0

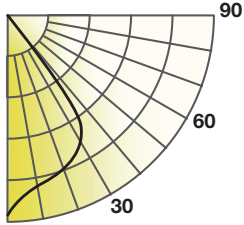
Initial Footcandles		
Height (ft)	Fc	Diameter (ft)
8	150	8
10	96	10
12	67	12
15	43	15
20	24	20

Zonal Lumen Summary		
Zone	Lumens	%Fixt
0-30	4,061	75
0-40	5,278	98
0-60	5,395	100
0-90	5,400	100

# PXCYL CYLINDER 8"

## PHOTOMETRY

PXCYL8/xx/LEL9035/KDIM010UNV/WD/xx/CC (High Output)



Lumens: 5,526 lm  
 CBCP: 4,721 cd  
 Power: 60 W  
 Efficacy: 99 lm/W  
 CRI: 92  
 Spacing Criteria: 1.0  
 Beam Angle: 71°

Candlepower Distribution	
Angle (°)	Average (cd)
10	4,550
20	4,353
30	3,671
40	1,465
50	38
60	11
70	4
80	1
90	0

Initial Footcandles		
Height (ft)	Fc	Diameter (ft)
8	106	11
10	68	14
12	47	17
15	30	21
20	17	28

Zonal Lumen Summary		
Zone	Lumens	%Fixt
0-30	3,573	65
0-40	5,205	94
0-60	5,509	100
0-90	5,519	100

Note: All rights reserved. All sizes and specifications are subject to change at any time without notice.