

Project Name:	Type:
Part Number:	Date:

6" INNOFIT GEN 2 COMMERCIAL DOWNLIGHT

SPECIFICATION FEATURES

- **Mechanical** - INNOFIT, with integrated driver, retrofits existing commercial housings and is field accessible from below the ceiling. Stainless steel spring action clips accommodate ½" to 2" ceiling thicknesses. Optional New Construction housing available.
- **Electrical** - Field select from three lumen outputs using SelectDrive technology. Universal 120-270V, 50/60Hz driver, dimmable to 5% with low end cutoff.
- **Optical** - Self flanged, spun aluminum reflector with baffle trim for pleasant aesthetic in matte white finish. High resistance polycarbonate optical lens, with smooth diffusion. 105° beam angle. LED binned to 3-step SDCM to ensure color uniformity in 3500K or 4000K CCT, with Minimum 80 CRI.
- **Thermal** - Fixture designed using passive thermal management to achieve a L70 rating of 50,000 hours. Fixture operating temperature: -13°F to 95°F (-25°C to 35°C).
- **Compliance and Warranty** - ETL Classified and Listed for wet locations. Certified air-tight per ASTM 283-04. IC Rated for direct contact with insulation. Complies with FCC 47CFR Part 15B consumer limits for EMI/RFI emissions. 5 year parts warranty for complete fixture. Optional 10 Year Extended Warranty available, subject to same terms, conditions and installation requirements as standard 5 Year Warranty.



032524



BENEFITS

- Field select lumen output
- Quick and easy installation
- 0-10V dimmable
- Wet Location, IC and Airtight Rated
- Long life time, L70 Rated for 50,000 hours

APPLICATIONS

- New and retrofit construction
- Shallow plenum applications
- Commercial
- Retail & Office
- Education and Hospitality

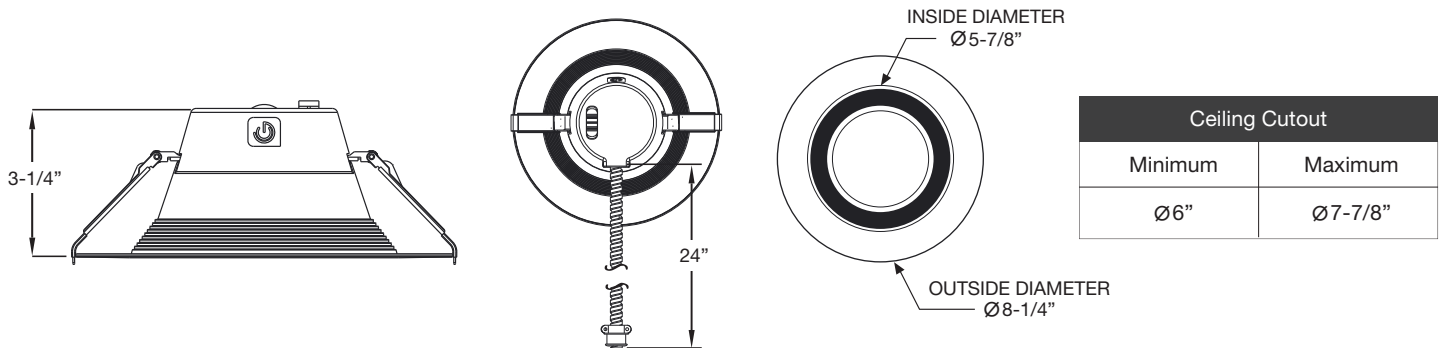
ORDERING INFORMATION

Series	Size	CRI	CCT	Dimming
<input checked="" type="checkbox"/> INFT INNOFIT	<input checked="" type="checkbox"/> 6 6" 800 / 1,100 / 1,600 lumens	<input checked="" type="checkbox"/> 8 CRI 80	<input type="checkbox"/> 35 3500K	<input type="checkbox"/> DIM010UNV 120-277V, 0-10V (Dimmable to 5%)
			<input type="checkbox"/> 40 4000K	

Note: Factory setting at highest lumen output.

6" INNOFIT GEN 2 COMMERCIAL DOWNLIGHT

LINE DRAWINGS

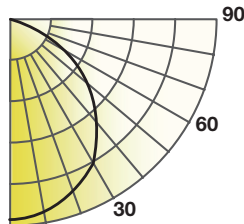


TECHNICAL INFORMATION

Dimming	Input Voltage	Input Frequency	Input Current (Low / Med / High)	Input Power	THD Power	Power Factor
DIM010VUNV	120V	50 / 60Hz	0.055 / 0.08 / 0.11A	6.5 / 9 / 13W	<20%	>0.9
	277V		0.032 / 0.04 / 0.052A			

PHOTOMETRY

INFT6/835/DIM010UNV (HIGH OUTPUT)



Lumens: 1,686 lm
 CBCP: 673 cd
 Power: 12.4 W
 Efficacy: 136 lm/W
 CRI: 80+
 Spacing Criteria: 1.24
 Beam Angle: 104.4°

Candlepower Distribution	
Angle (°)	Average (cd)
0	673
5	671
15	643
25	590
35	514
45	423
55	309
65	189
75	72
85	7
90	0

Initial Footcandles		
Height (ft)	Fc	Diameter (ft)
8	16	20.6
9	12	23.2
10	10	25.8
12	7	30.9
15	4	38.7

Zonal Lumen Summary		
Zone	Lumens	%Fixture
0-30	514	30%
0-40	833	49%
0-60	1,425	85%
0-90	1,686	100%

PERFORMANCE

CCT	3500K			4000K		
	Low	Med	High	Low	Med	High
Output	780	1,080	1,560	800	1,105	1,600
Lumens	780	1,080	1,560	800	1,105	1,600
LPW	120	120	120	123	123	123



6" INNOFIT GEN 2 COMMERCIAL DOWNLIGHT

ACCESSORY ORDERING INFORMATION				
Product	Model	Description	Pictures	Dimensions
98568	GOOFRING6	Goof ring for extending from 8-1/4" to 10-1/2"		
35122	NCFJB8	6" Round New Construction Rough-in Frame with Jbox		
35126	NCFBFB	Field Installable Butterfly Brackets For New Construction Rough-in Frame		
35125	NCFEMB	Field Installable Emergency Bracket For New Construction Rough-in Frame		
58012	35EMINVERTER	35W Emergency Inverter (Field Installation)		
58013	35EMINVERTER/CEC	California Title 20 Compliant 35W Emergency Inverter (Field Installation)		
37934	8EMINVERTER	California Title 20 Compliant 8W Emergency LED Inverter (Field Installation)		
37935	21EMINVERTER	California Title 20 Compliant 21W Emergency LED Inverter (Field Installation)		
98003	23EMDRIVER	California Title 20 Compliant 23W Emergency LED Driver (Field Installation)		



6" INNOFIT GEN 2 COMMERCIAL DOWNLIGHT

ORDERING GUIDE

Product	Model
35068	INFT6/835/DIM010UNV
35069	INFT6/840/DIM010UNV

10 YEAR EXTENDED WARRANTY

Model	INFT6/10YEARWARRANTY
-------	----------------------

Note: All rights reserved. All sizes and specifications are subject to change at any time without notice.