

SPECIFICATION SHEET: FHSCP-UNV-10.7WL

This Is An Original Product From Fulham Co., Inc

Description: Emergency LED Driver - Output 10.7W (Constant) - Universal Voltage - 214-535mA - 20-50V Forward Voltage - Long Case with Wire

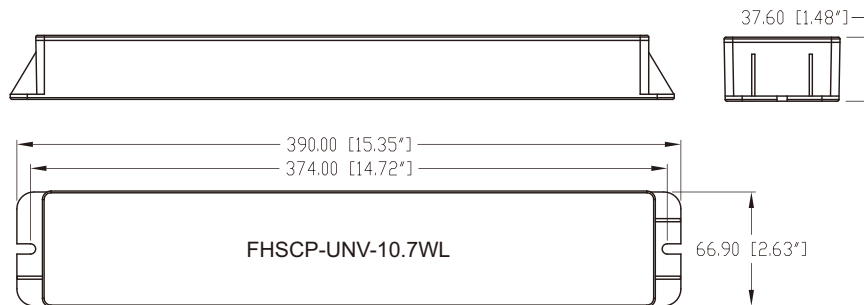
This Driver Will Operate The Following LED Modules:

Any LED module designed to accept constant input current of 214-535mA and that has a forward input voltage range of 20-50VDC.

ELECTRICAL DATA

Input Voltage	120-277VAC, 50/60Hz
Input Current	0.087A Max.
Input Power	5.7W
Output Current	214-535mA
Output Voltage Range	20-50Vdc
Output Power/ Lumens	10.7W (Constant)/ 1700lm
Battery Type/ Model Number	Ni-Cd 9.6Vdc
Battery Capacity Available	26.9WH
Recharge Time	24 Hours
Number of Output Channels	1
RFI/EMI	FCC Part 15A Non-Consumer
Output Type	Class 2
Ambient Operating Temperature Range	0°C to 50°C
Surge Protection	Per C62.41 (TVS)
Protections	Input Overcurrent Protection (Fusible link)
Service Life	50,000 Hours
Approvals / Class	ULus Class 2; Damp Locations

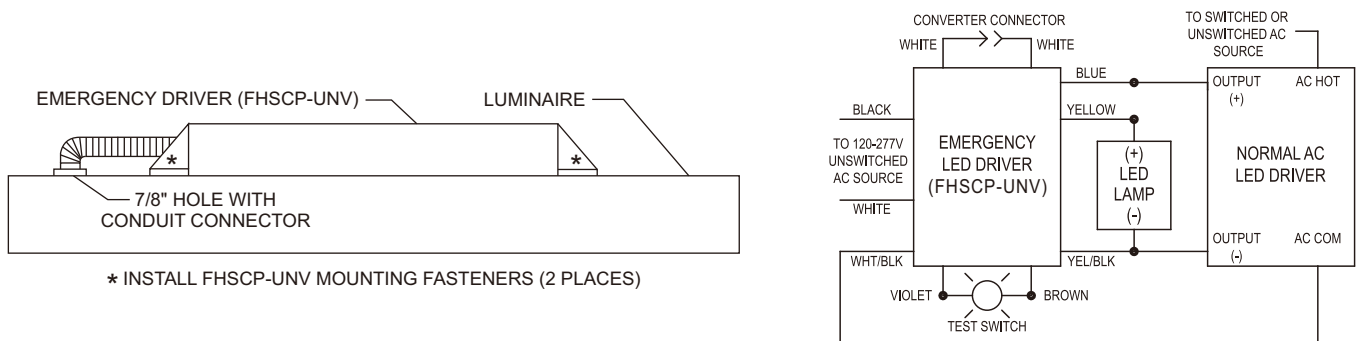
MECHANICAL DATA



Tolerance=±0.02"

NOTE : This Driver Must Be Grounded

WIRING DIAGRAMS



Fulham extends a limited warranty only to the original purchaser or to the first user for a period of **5 years** from the date of manufacture when properly installed and operated under normal conditions of use. For complete terms and conditions, please reference the Fulham Product Catalog (www.fulham.com). Due to a program of continuous improvement, Fulham reserves the right to make modifications or variations in design or construction to the equipment described. © Fulham Company Limited, All Rights Reserved.