

Project Name:	Type:
Part Number:	Date:

INNOFIT 9.5" COMMERCIAL DOWNLIGHT

SPECIFICATION FEATURES

- **Mechanical** - INNOFIT, with integrated driver, retrofits existing commercial housings and is field accessible from below the ceiling. Stainless steel spring action clips accommodate 1/2" to 2" ceiling thicknesses.
- **Electrical** - Field select from three lumen outputs using SelectDrive technology. Universal 120-277V, 50/60 Hz drivers. Non-dimmable.
- **Optical** - Self flanged, spun aluminum reflector in matte white finish. High resistance polycarbonate optical lens, with smooth diffusion. 90° beam angle. High end white finish polycarbonate baffle trim for pleasant aesthetic. Available in 2700K, 3000K, 3500K or 4000K, with Minimum 80CRI.
- **Thermal** - Die cast heat sink maximizes passive thermal management and achieves a L70 rated lifetime of 40,000 hours. Fixture Operating Temperature: -13°F to 95°F (-25°C to 35°C)
- **Compliance and Warranty** - cULus Listed and Classified for damp locations. Not for use where directly exposed to weather or water. 5 year parts warranty for complete fixture. Optional 10 Year Extended Warranty available, subject to same terms, conditions and installation requirements as standard 5 Year Warranty.



052421



BENEFITS

- Field select lumen output with SelectDrive
- Quick and easy installation with spring action clips
- Universal housing compatibility
- Universal 120-277V, 50/60 Hz drivers
- Available in 2700K, 3000K, 3500K & 4000K CCT

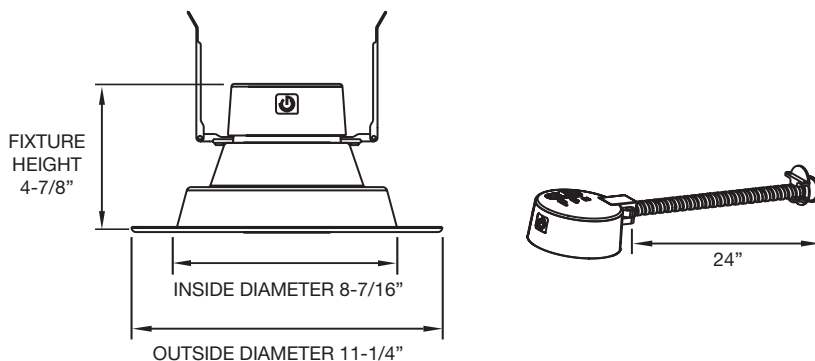
APPLICATIONS

- Commercial
- Educational
- Retail
- Hospitality

ORDERING INFORMATION

Series	Size	CRI	CCT	Dimming
<input checked="" type="checkbox"/> 45CDLA Commercial Downlight 45W Adjustable	<input checked="" type="checkbox"/> 9.5 9.5"	<input checked="" type="checkbox"/> 8 CRI 80	<input type="checkbox"/> 27 2700K	<input checked="" type="checkbox"/> 277V 120-277V Non-Dimmable
			<input type="checkbox"/> 30 3000K	
			<input type="checkbox"/> 35 3500K	
			<input type="checkbox"/> 40 4000K	

LINE DRAWINGS



Ceiling Cutout	
Minimum	Maximum
Ø8-5/8"	Ø10-7/16"

New Construction Frame Ceiling Cutout	
Minimum	Maximum
Ø9-3/4"	Ø10-1/2"



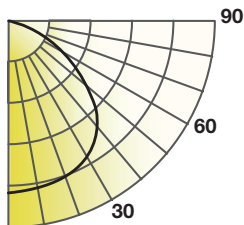
INNOFIT 9.5" COMMERCIAL DOWNLIGHT

TECHNICAL INFORMATION

Dimming	Input Voltage	Input Frequency	Input Current	Input Power	THD Power	Power Factor
Non Dimmable	120-277V	50 / 60Hz	0.38 / 0.27 / 0.2A	23.5 / 32 / 45W	<20%	>0.9

PHOTOMETRY

45CDLA9.5/835/277V (HIGH LUMEN OUTPUT SETTING)



Lumens: 4074 lm
 Power: 45 W
 Efficacy: 91 lm/W
 CRI: 80+
 Spacing Criteria: 1.18
 Beam Angle: 102°

Candlepower Distribution	
Angle (°)	Average (cd)
0	1,657
5	1,649
15	1,568
25	1,417
35	1,212
45	977
55	727
65	449
75	185
85	16
90	0

Initial Footcandles		
Height (ft)	Fc	Diameter (ft)
8	39	20
9	30	22
10	25	24
12	17	29
15	11	37

Zonal Lumen Summary		
Zone	Lumens	%Fixture
0-30	1,249	31
0-40	2,005	50
0-60	3,404	84
0-90	4,074	100

Lumen Output Coefficient				
CCT	2700K	3000K	3500K	4000K
Low Lumen output	0.60	0.61	0.63	0.64
Med Lumen output	0.75	0.75	0.78	0.80
High Lumen output	0.96	0.97	1.00	1.02

PERFORMANCE

45CDLA9.5/8xx/277V


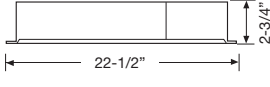

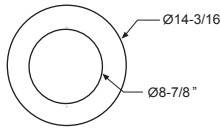

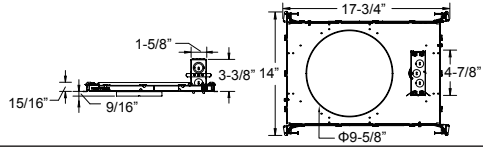

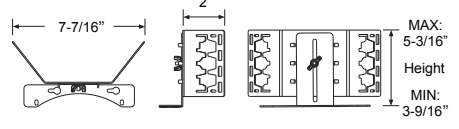

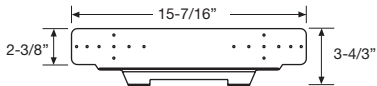
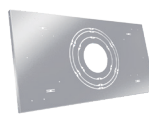
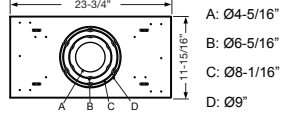

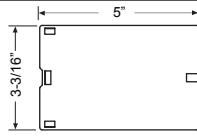
CCT	2700K			3000K			3500K			4000K		
	Low	Med	High	Low	Med	High	Low	Med	High	Low	Med	High
Output												
Lumens	2,454	3,039	3,896	2,477	3,067	3,932	2,567	3,178	4,074	2,623	3,247	4,163
LPW	104	95	87	105	96	87	109	99	91	112	101	93

10 YEAR EXTENDED WARRANTY

Model	INFT9.5/10YEARWARRANTY



INNOFIT 9.5" COMMERCIAL DOWNLIGHT

ACCESSORY ORDERING INFORMATION				
Product	Model	Description	Pictures	Dimensions
98235	50EMINVERTER	Emergency Inverter 50W		
98566	GOOFRING9.5	9.5" Goof Ring - Outer Diameter 14-3/16"		
35124	NCFJB9.5	New Construction Frame for T-Grid ceilings and stud/joist mounting		
35126	NCFBFB	Field Installable Butterfly Brackets For New Construction Frame		
35125	NCFEMB	Field Installable Emergency Bracket For New Construction Frame		
98501	NCPLATE/T4689	New Construction Plate for T-Grid ceilings		
98583	NCPLATEJB	Junction box for New Construction Plates		



INNOFIT 9.5" COMMERCIAL DOWNLIGHT

ORDERING GUIDE

Product	Model
57878	45CDLA9.5/827/277V
57879	45CDLA9.5/830/277V
57880	45CDLA9.5/835/277V
57881	45CDLA9.5/840/277V

Note: All rights reserved. All sizes and specifications are subject to change at any time without notice.