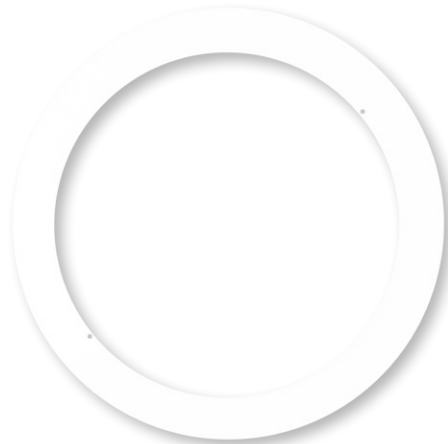
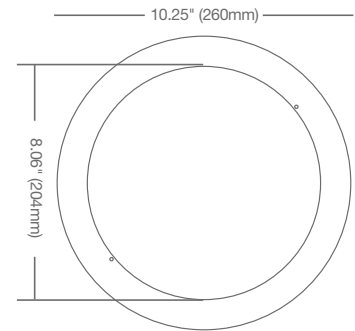


8" GOOF RING

PRO



DIMENSIONS



Ref.:#DSS28 -NCDL-GOOFRING-8-280618

- Ⓞ For use with 8" THINFIT EXT Series products only
- Ⓞ Increases trim diameter to 10.25" (260mm)
- Ⓞ High-quality steel construction
- Ⓞ White powder coat finish

RECOMMENDED USE

THINFIT EXT Series - 8" NCDL 24.5W



The 8" GOOF RING is designed specifically for use with THINFIT EXT Series 8" NCDL 24.5W fixtures. The 8" GOOF RING increases the trim diameter to 10.25" and is ideal for covering mistakes or when the ceiling hole is larger than the fixture.

SPECIFICATIONS

Product Model	98238 DLNC8GOOF
Type	8" Goof Ring
I.D. / O.D.	8.06" (204mm) / 10.25" (260mm)
Weight (lb. / g)	0.14lb. / 63g