

6" CLICK



FEATURES

- Shallow design, less than 1"
- Fits most industry standard 4" J-boxes
- Retrofits 4" to 6" residential can with accessories (sold separately)
- High output up to 1,200lm
- 2700K, 3000K and 4000K CCT
- 90 CRI with 3-steps SDCM binning
- Quick and easy installation
- Wet location and Air-tight rated
- California Title 24 compliant
- ETL Listed and ETL Classified
- ENERGY STAR® certified
- Rated L70 Lifetime of 50,000 hours
- 5 year warranty



Closets



Bathrooms



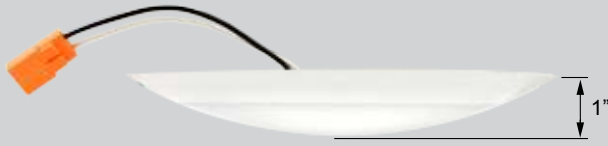
Hallways



Kitchens



BENEFITS

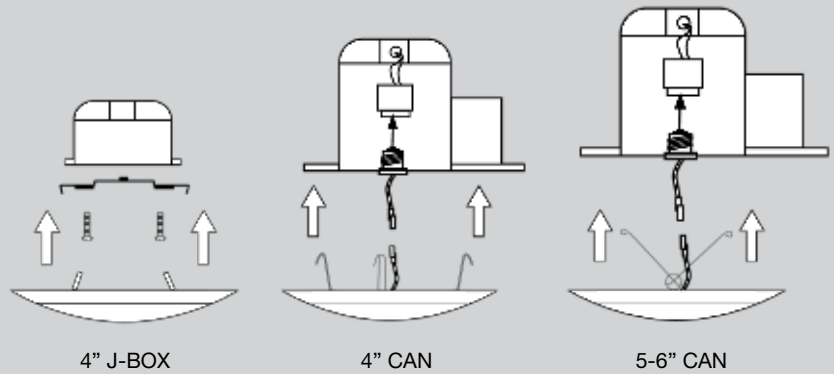


LOW PROFILE AND HIGH PERFORMANCE

The CLICK family is designed to blend in seamlessly with the ceiling and still provide superior performance. The 1" fixture profile allows for up to 1,200 lumens of high quality, 90 CRI light by minimizing the trim flange and maximizing the lens aperture, providing an aesthetically pleasing light source. The wet location and Air-Tight ratings mean it can be installed in your most demanding residential and commercial projects.

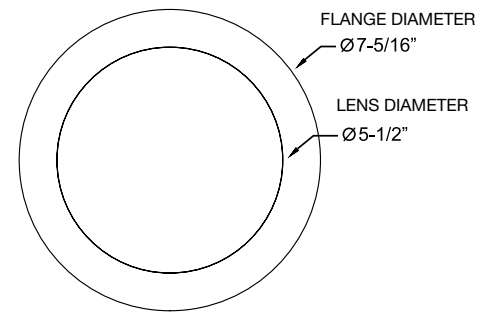
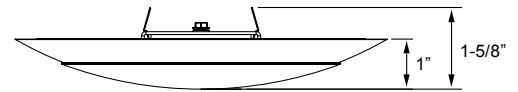
QUICK AND EASY INSTALLATION

The CLICK family installs in minutes with its innovative mounting system. For junction box mountings, screw in the supplied mounting bracket to the junction box, connect the incoming power to the fixture and push the fixture into the bracket until it "CLICKS". It's that easy. For installation in 4", 5" or 6" housings, use the Accessory Kits, sold separately. With its innovative design, the CLICK family will save time and money on all your lighting projects.



ORDERING

Series	Size	CRI	CCT	Driver			
<input checked="" type="checkbox"/> CLK Click	<input type="checkbox"/> 6 6"	<input checked="" type="checkbox"/> 9 CRI 90+	<input type="checkbox"/> 27 2700K	<input checked="" type="checkbox"/> DIM120V 120V, 50/60Hz, dims to 10%			
	<input type="checkbox"/> 6HO 6" High Output		<input type="checkbox"/> 30 3000K				
			<input type="checkbox"/> 40 4000K				
CCT		2700K		3000K		4000K	
Model		Lm	LPW	Lm	LPW	Lm	LPW
CLK6/9xx/DIM120V		792	72	825	75	902	82
CLK6HO/xx/DIM120V		1080	72	1125	75	1230	82



ACCESSORY ORDERING INFORMATION

Product	Model	Picture	Description
57973	SMDL4/ACC		4" Can Installation Accessories
57974	SMDL6/ACC		5-6" Can Installation Accessories