

T5 9.5W HE 2FT. EXT TITANIUM LED SERIES



PRO



EXTERNAL DRIVER

9.5W REPLACES



14W
Fluo.

60% Energy Savings

- Compatible with GREEN CREATIVE external drivers only
- Suitable for use with shunted & non-shunted lamp holders
- Exceptional efficacy 158 LPW
- Suitable for use in totally enclosed fixtures
- Durable plastic construction - Meets NSF requirements
- 0-10V dimming



50,000 H



DIMMABLE



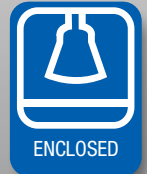
UNIVERSAL



WARRANTY



CRI (Ra)



ENCLOSED



TUBE FEATURES

External Driver - 1-2 & 3-4 Lamp Versions



These lamps are designed for use with GREEN CREATIVE external drivers only. These 0-10V dimmable drivers are available in 1-2 lamp and 3-4 lamp versions and are compatible with GREEN CREATIVE T5 4', 3' and 2' EXT lamps.

Suitable for All T5 Application



T5 9.5W HE 2FT. EXT TITANIUM LED SERIES



SPECIFICATIONS

Product Model	98306 9.5T5HE/2F/830/EXT	98307 9.5T5HE/2F/835/EXT	98308 9.5T5HE/2F/840/EXT
Type	T5	T5	T5
Base	Mini Bi-Pin G5	Mini Bi-Pin G5	Mini Bi-Pin G5
Lamp Power (W)	9.5	9.5	9.5
System Power (W)	12	12	12
Voltage - Frequency	120-277V 50-60Hz	120-277V 50-60Hz	120-277V 50-60Hz
Color Temp. (ANSI)	Warm White 3000K	Neutral White 3500K	Cool White 4000K
CRI (Ra)	82	82	82
Typical lumens (lm)	1350	1400	1500
Efficacy (LPW)	142	147	158
System Efficacy (LPW)	113	117	125
Light Emitting Area	270°	270°	270°
Beam Angle	120°	120°	120°
Dimmable	Yes	Yes	Yes
Power Factor	0.9	0.9	0.9
THD	<20%	<20%	<20%
Rated Lifetime - L70 (hrs.)	50,000	50,000	50,000
Temperature Rating	-4°F / -20°C - 95°F / 35°C	-4°F / -20°C - 95°F / 35°C	-4°F / -20°C - 95°F / 35°C
Dia. x MOL	0.67" x 22" (17 x 559mm)	0.67" x 22" (17 x 559mm)	0.67" x 22" (17 x 559mm)
Weight (lb. / g)	0.17lb. / 77g	0.17lb. / 77g	0.17lb. / 77g

EXTERNAL DRIVER SPECIFICATIONS

Product Model	98259 15T8T5HEDRIVER/2CH	98260 15T8T5HEDRIVER/4CH
Number of lamps	1-2	3-4
Input Voltage - Frequency	120-277V 50-60Hz	120-277V 50-60Hz
Max. Input Current (A)	0.31	0.64
Max. Input Power (W)	37	75
Output Voltage (V)	DC 30-50	DC 30-50
Output Current (A)	0.3 * 2	0.3 * 4
Dimmability	0-10V	0-10V
Temperature Rating	-4°F / -20°C - 95°F / 35°C	-4°F / -20°C - 95°F / 35°C
Max Case Temperature	185°F / 85°C	185°F / 85°C
Case Dimension (LxWxH)	9.5"x1.3"x1.2" (241x33x30mm)	9.5"x1.3"x1.2" (241x33x30mm)

EXTERNAL DRIVER & LED TUBE COMBINATION

			98259				98260							
			15T8T5HEDRIVER/2CH								15T8T5HEDRIVER/4CH			
			1 Lamp		2 Lamps		3 Lamps		4 Lamps					
Product	Model	Color Temp. (ANSI)	System Power (W)	Typical Lumens (lm)	System Power (W)	Typical Lumens (lm)	System Power (W)	Typical Lumens (lm)	System Power (W)	Typical Lumens (lm)				
98306	9.5T5HE/2F/830/EXT	3000K	12	1350	24	2700	36	4050	48	5400				
98307	9.5T5HE/2F/835/EXT	3500K	12	1400	24	2800	36	4200	48	5600				
98308	9.5T5HE/2F/840/EXT	4000K	12	1500	24	3000	36	4500	48	6000				

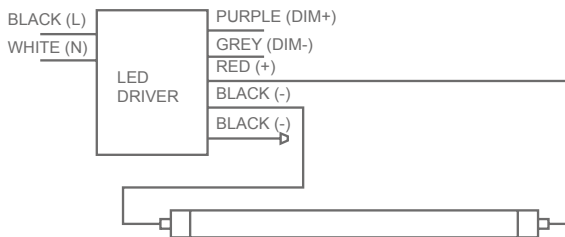
Ref.#: DS306 - T5HE-9.5W-2FT-EXT-250618

EXTERNAL DRIVER INSTALLATION

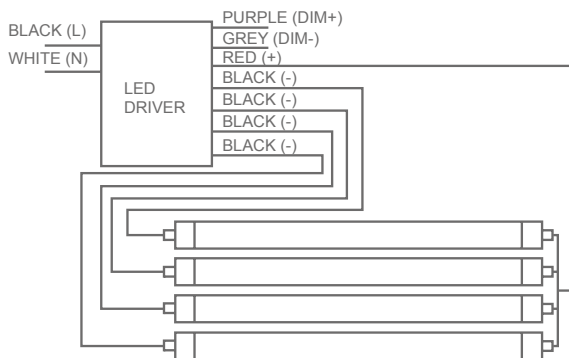
Double-ended Installation

- For shunted & non-shunted lamp holders
- Not polarity sensitive, lamps can be wired at either end

1 Lamp



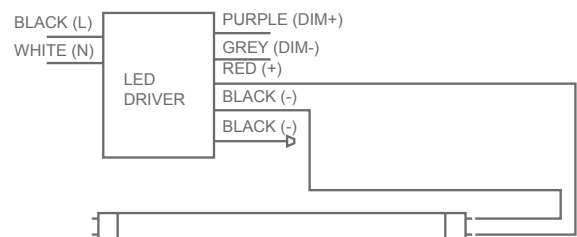
4 Lamps



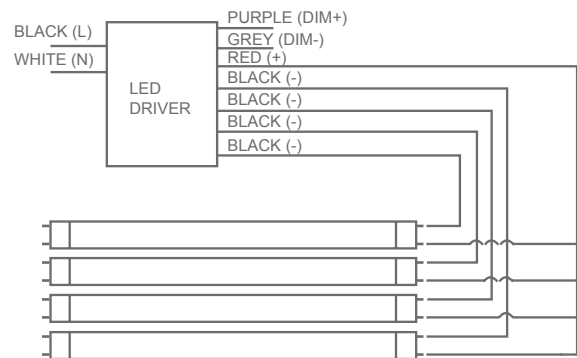
Single-ended Installation

- For non-shunted lamp holders only
- Not polarity sensitive, lamps can be wired at either end

1 Lamp



4 Lamps



* Suitable for use in totally enclosed fixtures

** Suitable for damp locations. Not for use where directly exposed to the weather or water

*** Full installation guide and more details available on website