

3N1 DOWNLIGHT INSTALLATION GUIDE - WARNING

- WARNING** – Read all product labels and instructions before installing fixture.
- WARNING** – Risk of fire or electric shock. LED Retrofit Kit installation requires knowledge of luminaires electrical systems. Installation should be performed only by a qualified electrician in accordance with the National Electrical Code and relevant local code.
- WARNING** – Risk of fire or electric shock. Install this kit only in the luminaires that have the construction features and dimensions shown in the photographs and/or drawings.
- WARNING** – To prevent wiring damage or abrasion, do not expose wiring to edges of sheet metal or other sharp objects.
- WARNING** – Do not make or alter any open holes in an enclosure of wiring or electrical components during kit installation.
- WARNING** – The recessed luminaire is intended for mounting only in a covered ceiling where only the led side of the luminaire will be exposed to damp or dry locations.
- WARNING** – INSTALLATION SHOULD ONLY BE PERFORMED AFTER POWER TO THE FIXTURE HAS BEEN DISCONNECTED.

4” J-BOX INSTALLATION

Compatible with most standard 4” J-boxes. Not all existing J-boxes meeting these requirements will be compatible. A test installation should always be performed. J-box is provided by other.

1. Make sure the POWER IS TURNED OFF at the source to the J-box in which you are installing the product.
2. Attach the mounting bracket to the J-box using provided screws. Note the flanges and fixture’s insert breaches should be facing downward the Jbox. Flat part should be facing toward. (fig. 1)
3. Attach the safety clip to one of the holes in the mounting bracket, allowing the fixture to stay securely in the air. (fig. 2).
4. Wire to the power source (black to hot, white to neutral, green to ground). (fig. 3)
5. Adjust the color temperature to desired one, by sliding the orange selector switch, Make sure the switch is never in between two positions. (fig. 4)
6. Align fixture’s back tabs with bracket’s insert breaches. And push the fixture up into the mounting bracket. Make sure all wires are carefully tucked inside the J-box and downlight is flush with ceiling surface. Then turn the fixture counterclockwise until it blocks to secure it with the bracket retaining tabs. (fig. 5 & 6)
7. Restore power at the source and installation is complete

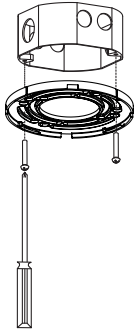


fig. 1

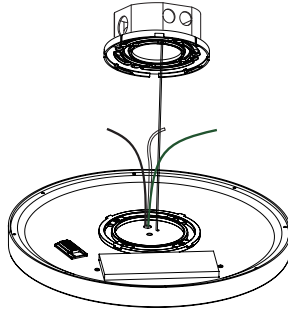


fig. 2

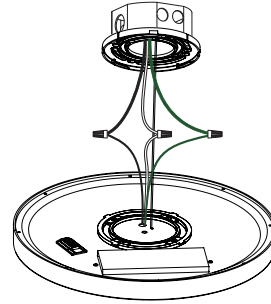


fig. 3

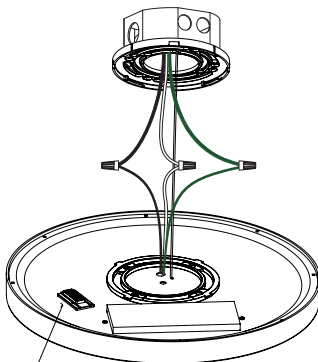


fig. 4

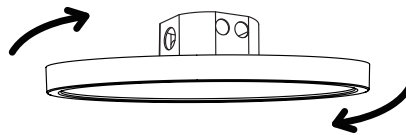
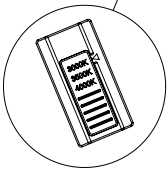


fig. 5



fig. 6