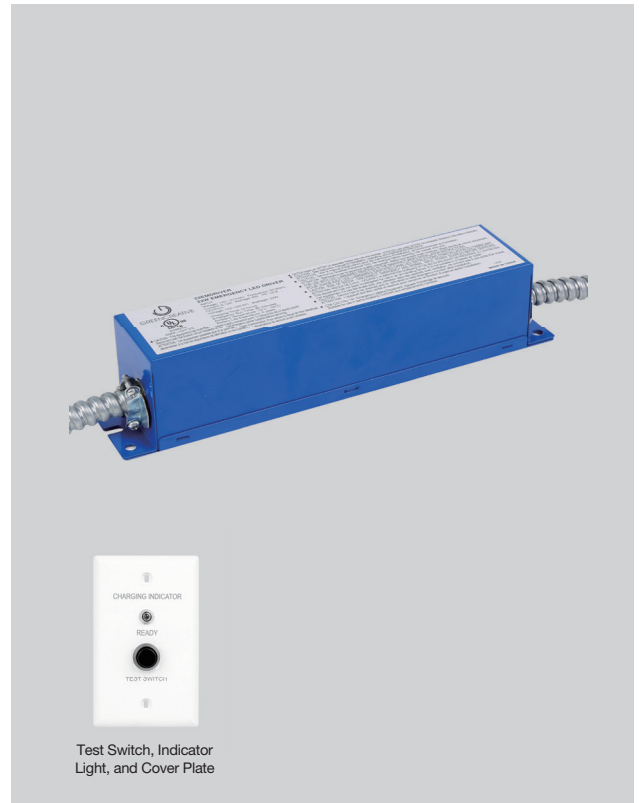


Project Name:	Type:
Part Number:	Date:

23W EMERGENCY LED DRIVER

FEATURES

- Suitable for use with select GREEN CREATIVE fixtures and lamps. See complete list in below "COMPATIBLE FIXTURE AND LAMP " table
- Cold rolled steel housing, powder-coated. 48-3/4" flex conduit provided for easy connection
- Includes test switch and cover plate (mounts to single gang junction box not supplied)
- Dual voltage 120/277 VAC 60Hz input
- Constant power output in emergency mode for a minimum of 90 minutes
- Unit can be remote mounted up to 32 ft. Additional cable and connections supplied by others
- Meets or exceeds all National Electrical Code and Life Safety Code Emergency Lighting Requirements
- Integral short circuit protection
- Recyclable long-life high-temperature Lithium-ion battery
- Low Voltage Disconnect (LVD)
- Rated for use in damp locations
- Driver ambient temperature: 50°F to 122°F (10°C to 50°C)
- 5 year limited warranty*
- Title 20 compliant
- cULus listed to UL 924 / CSA22 No. 141



SPECIFICATIONS

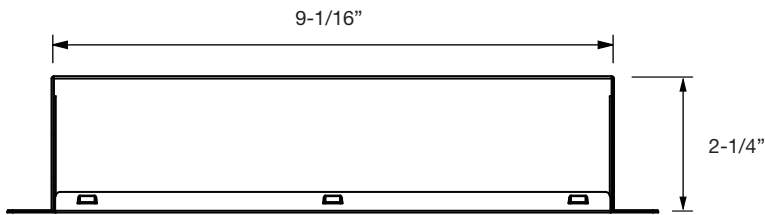
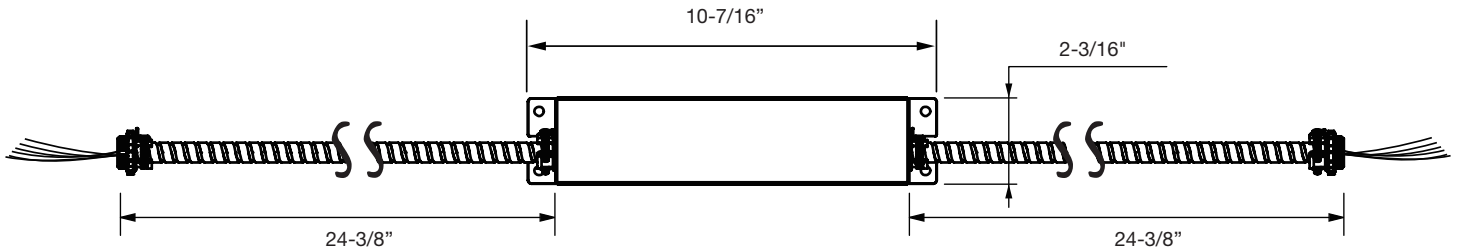
Product	98003
Model	23EMDRIVER
Input Voltage	120/277VAC, 60Hz
Input Current	120mA Max
Input Power	8W Max
Output Power	23W Max
Open Circuit Voltage	143~150VDC
Charge Time	24 hours
Emergency Run Time	90 minutes
Ambient Temperature	50°F to 122°F (10°C to 50°C)
Battery	Hi-temp rechargeable, Lithium-ion
Approval	UL 924 Listed, cUL Listed to CSA C22 No. 141, CEC Compliant

*Please visit www.greencreative.com for Limited Warranty terms.

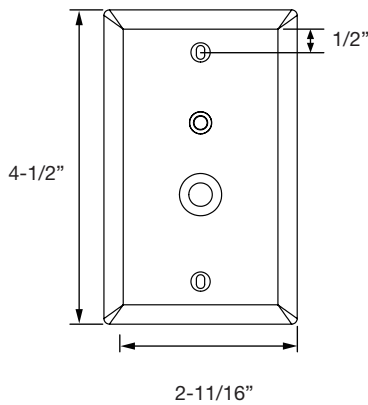


23W EMERGENCY LED DRIVER

DIMENSION & WEIGHT



Model	23EMDRIVER
Length	10-7/16"
Width	2-3/16"
Height	2-1/4"
Weight	2.8 lb.





23W EMERGENCY LED DRIVER

FIXTURE AND LAMP EM DRIVER COMPATIBLE GUIDE

FIXTURE

Commercial Downlighting

NYX	NYXNC4RD/S9CCT5S/DUALDIM/xx/xx
	NYXNC6RD/S9CCT5S/DUALDIM/xx/xx
	NYXNC4SQ/S9CCT5S/DUALDIM/xx/xx
	NYXNC6SQ/S9CCT5S/DUALDIM/xx/xx
	NYXICAT4RD/S9CCT5S/DUALDIM/xx/xx
	NYXICAT4SQ/S9CCT5S/DUALDIM/xx/xx
	NYXDM4RD/S9CCT5S/DUALDIM/xx/xx
	NYXDM4SQ/S9CCT5S/DUALDIM/xx/xx
	NYXDM6RD/S9CCT5S/DUALDIM/xx/xx
	NYXDM6SQ/S9CCT5S/DUALDIM/xx/xx

SELECTFIT	SLFT4/9CCT5S/DUALDIM
	SLFT6/9CCT5S/DUALDIM
	SLFT8/9CCT5S/DUALDIM
	SLFT4/80CCTS/DIM010UNV
	SLFT4/80CCT2750/DIM010UNV
	SLFT6/80CCTS/DIM010UNV
	SLFT6/80CCT2750/DIM010UNV
	SLFT8/80CCTS/DIM010UNV
	SLFT8/80CCT2750/DIM010UNV
	SLFT4/80CCTS/DIM120V
	SLFT6/80CCTS/DIM120V
SLFT8/80CCTS/DIM120V	

INNOFIT	INFTP4/8CCT3S/DIM010UNV
	INFTP6/8CCT3S/DIM010UNV
	INFTP8/8CCT3S/DIM010UNV
	INFTP6/8CCT3S/DIM120V
	INFTP8/8CCT3S/DIM120V
	INFT4/8xx/DIM010UNV
	INFT6/8xx/DIM010UNV
	INFT8/8xx/DIM010UNV
	INFT4/8xx/DIM120V
	14CDLA4/8xx/277V
	INFT6/8xx/DIM120V
	21CDLA6/8xx/277V/R
	INFT8/8xx/DIM120V

MULTIFIT	MFR4/9CCT5S/DUALDIM/EXT
	MFR6/9CCT5S/DUALDIM/EXT
	MFR6HO/9CCT5S/DUALDIM/EXT
	MFR8/9CCT5S/DUALDIM/EXT
	MFR8HO/9CCT5S/DUALDIM/EXT
	MGR4/9CCT5S/DUALDIM/EXT
	MGR6/9CCT5S/DUALDIM/EXT
	MCR4/9CCT5S/DUALDIM/EXT
	MCR6/9CCT5S/DUALDIM/EXT
	MCR6HO/9CCT5S/DUALDIM/EXT

Residential Downlighting

THINFIT EXT	10NCDLR4DIM/9xx/277V/EXT
	12NCDLR6DIM/9xx/277V/EXT
	24.5NCDLR8DIM/9xx/277V/EXT
	10NCDLR4DIM/9xx/EXT
	12NCDLR6DIM/9xx/EXT
	24.5NCDLR8DIM/9xx/EXT



23W EMERGENCY LED DRIVER

FIXTURE AND LAMP EM DRIVER COMPATIBLE GUIDE

FIXTURE

Residential Downlighting

THINFIT	8.5DLNC4DIM/8xx
	11.6DLNC6DIM/8xx
MINIFIT	GIMB1/9xx/FL/DIM120
	GIMB2/9xx/FL/DIM120
	MM2/9xx/FL/DIM120
RDL	10DL4DIM/9xx
	12DL6DIM/9xx
	18DL6DIM/9xx
	11DL6DIM/8CCTD

Surface Mount Downlighting

3N1 Downlight	3N1/5/90/CCTS/DIM120V
	3N1/7/90/CCTS/DIM120V
	3N1/9/90/CCTS/DIM120V
	3N1/12/90/CCTS/DIM120V
	3N1/5/90/CCTS/DIM010UNV
	3N1/7/90/CCTS/DIM010UNV
	3N1/9/90/CCTS/DIM010UNV
CLICK ROUND	CLK6/9xx/DIM120V
	CLK6HO/9xx/DIM120V
	10SMPR5.5DIM/9xx
	15SMPR7DIM/9xx/R
	15SMPR7DIM/9xx/277V
	20SMPR9DIM/9xx
CLICK SQUARE	20SMPR9DIM/9xx/277V
	10SMPS5.5DIM/9xx
	15SMPS7DIM/9xx/R
	15SMPS7DIM/9xx/277V
	20SMPS9DIM/9xx
20SMPS9DIM/9xx/277V	

LAMP

T5 Bypass Lamps	9.5T5HE/2F/8xx/BYP
	11.5T5HO/2F/8xx/BYP
T8 Bypass Lamps	8T8/2F/8xx/BYP/RC
	12T8/3F/8xx/BYP/RC
	12T8/3F/8xx/BYP/R
	10.5T8/4F/8xx/BYP
	13T8/4F/8xx/BYP/RC
	14.5T8/4F/8xx/BYP
	16T8/4F/8xx/BYP/RC
	20.5T8/4F/8xx/BYP/R
	17T8U6/8xx/BYP/R
	13T8/4F/DIM/8xx/BYP
13T8/4F/8xx/GL/BYP	
T8 Bypass Flicker Free Lamps	12T8/3F/8xx/BYP/FF
	8T8/2F/8xx/BYP/FF
	13T8/4F/8xx/BYP/FF
CCT Select PinFit PL Omni Lamps	9PLO/8CCTS/HYB/PF
PinFit PL Omni Lamps	6.8PLO/8xx/HYB/PF
	9PLO/8xx/HYB/PF
CCT Select PL Hybrid Lamps	8PLH/8CCTS/HYBM
	8PLV/8CCTS/HYBM
PL Bypass & Hybrid Bypass Lamps	8PLH/8xx/HYBM



23W EMERGENCY LED DRIVER

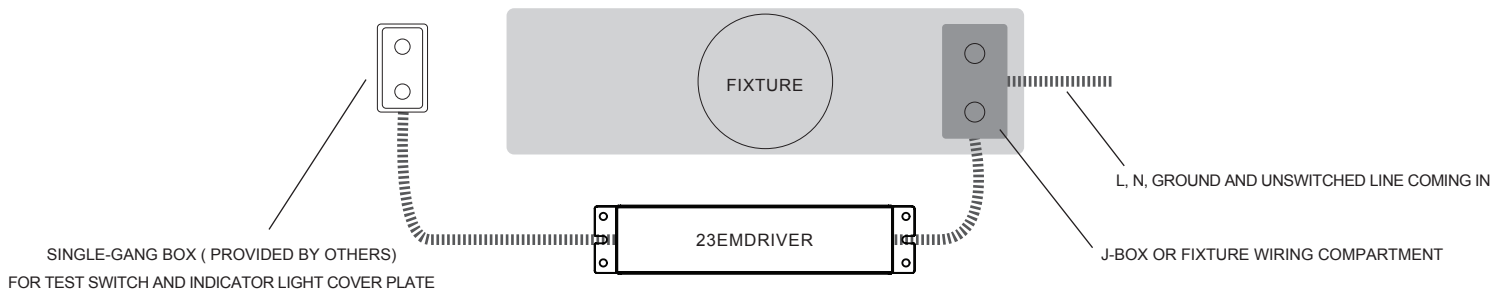
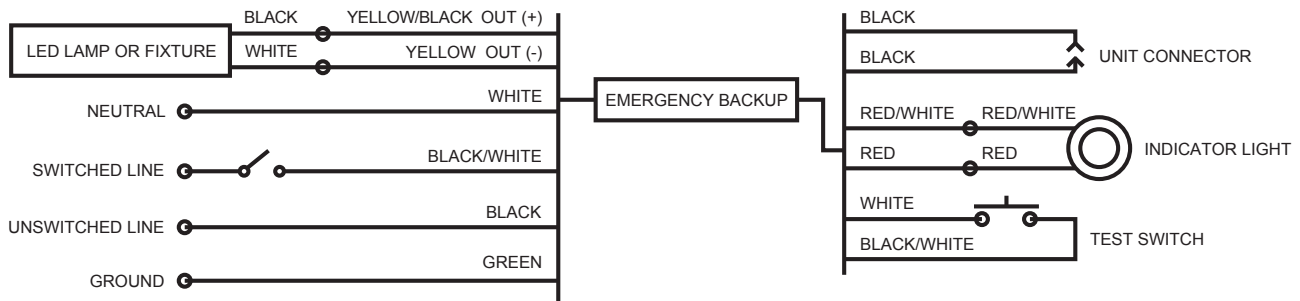
FIXTURE AND LAMP EM DRIVER COMPATIBLE GUIDE

LAMP	
PL Bypass & Hybrid Bypass Lamps	8.5PLV/8xx/HYBM
	15.5PLH/8xx/BYP/R
	16.5PLV/8xx/BYP
	7PLO/8xx/HYBM
	9PLO/8xx/HYBM
PLL Bypass Lamps	8.5PLL/8xx/GL/BYP
	10PLL/8xx/GL/BYP
	16PLL/8xx/GL/BYP
	17PLL/8xx/BYP/R

xx –Refers to the CCT yy – Refers to model generations within the same nominal performance Typically blank, 'R', or 'RC'

INSTALLATION

1. Make sure the POWER IS TURNED OFF at the source to the location at which you are installing the unit.
2. Secure the EMERGENCY DRIVER to the fixture or in a position in the ceiling that does not interfere with any existing hardware. Installation should comply with local and national electrical code.
3. For switched power applications, make sure an unswitched line also exists in the J-box or fixture wiring compartment.
4. The unit connector is not in this conduit. They would have to install the single gang box with test light and button before the can pair the unit connector.
5. For unswitched constant power applications (emergency only, light is off in normal condition) connect the incoming unswitched line to the unit's black wire and cap off the unit's black/white switched line.
6. Install the test accessory plate in a single-gang switch box (provided by others) in the ceiling near the fixture and wire according to the wiring diagram below. Make sure the indicator light and test switch are wired correctly.
7. For testing and maintenance, refer to the Test Button & Indicator Light section below.
8. Restore power at the source and installation is complete.



ORDERING INFORMATION

Model	Master Carton			Shipping Carton		
	Case Qty	Case Dimensions (LxWxH)	Case Weight	Case Qty	Case Dimensions (LxWxH)	Case Weight
23EMDRIVER	N.A.	N.A.	N.A.	6PCS	19-1/16" x 17-1/16" x 11-9/16"	23.15lb

Where xxx means 824-965 which indicates CRI and color temperature

Note: All rights reserved. All sizes and specifications are subject to change at any time without notice