

T5 22W HO 4FT. EXT TITANIUM LED SERIES



PRO



EXTERNAL DRIVER

22W REPLACES



54W
Fluo.

60% Energy Savings

- Compatible with GREEN CREATIVE external drivers only
- Suitable for use with shunted & non-shunted lamp holders
- Exceptional efficacy 155 LPW
- Suitable for use in totally enclosed fixtures
- Durable plastic construction - Meets NSF requirements
- 0-10V dimming



50,000 H



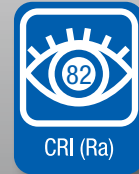
DIMMABLE



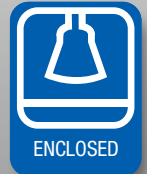
UNIVERSAL



WARRANTY



82



ENCLOSED



TUBE FEATURES

External Driver - 1-2 & 3-4 Lamp Versions



These lamps are designed for use with GREEN CREATIVE external drivers only. These 0-10V dimmable drivers are available in 1-2 lamp and 3-4 lamp versions and are compatible with GREEN CREATIVE T5 HO 4' EXT lamps.

Suitable for All T5 Application



T5 22W HO 4FT. EXT TITANIUM LED SERIES



SPECIFICATIONS

Product Model	98321 22T5HO/4F/830/EXT	98322 22T5HO/4F/835/EXT	98323 22T5HO/4F/840/EXT	98324 22T5HO/4F/850/EXT
Type	T5	T5	T5	T5
Base	Mini Bi-Pin G5	Mini Bi-Pin G5	Mini Bi-Pin G5	Mini Bi-Pin G5
Lamp Power (W)	22	22	22	22
System Power (W)	26	26	26	26
Voltage - Frequency	120-277V 50-60Hz	120-277V 50-60Hz	120-277V 50-60Hz	120-277V 50-60Hz
Color Temp. (ANSI)	Warm White 3000K	Neutral White 3500K	Cool White 4000K	Daylight 5000K
CRI (Ra)	82	82	82	82
Typical lumens (lm)	3200	3200	3400	3400
Efficacy (LPW)	145	145	155	155
System Efficacy (LPW)	123	123	131	131
Light Emitting Area	270°	270°	270°	270°
Beam Angle	120°	120°	120°	120°
Dimmable	Yes	Yes	Yes	Yes
Power Factor	0.9	0.9	0.9	0.9
THD	<20%	<20%	<20%	<20%
Rated Lifetime - L70 (hrs.)	50,000	50,000	50,000	50,000
Temperature Rating	-4°F / -20°C - 95°F / 35°C	-4°F / -20°C - 95°F / 35°C	-4°F / -20°C - 95°F / 35°C	-4°F / -20°C - 95°F / 35°C
Dia. x MOL	0.67" x 46" (17 x 1168mm)	0.67" x 46" (17 x 1168mm)	0.67" x 46" (17 x 1168mm)	0.67" x 46" (17 x 1168mm)
Weight (lb. / g)	0.33lb. / 150g	0.33lb. / 150g	0.33lb. / 150g	0.33lb. / 150g

EXTERNAL DRIVER SPECIFICATIONS

Product Model	98261 24T5HODRIVER/2CH	98262 24T5HODRIVER/4CH
Number of lamps	1-2	3-4
Input Voltage - Frequency	120-277V 50-60Hz	120-277V 50-60Hz
Max. Input Current (A)	0.54	0.91
Max. Input Power (W)	67	109
Output Voltage (V)	DC 30-50	DC 25-43
Output Current (A)	0.54 * 2	0.56 * 4
Dimmability	0-10V	0-10V
Temperature Rating	-4°F / -20°C - 95°F / 35°C	-4°F / -20°C - 95°F / 35°C
Max Case Temperature	185°F / 85°C	185°F / 85°C
Case Dimension (LxWxH)	9.5" x 1.3" x 1.2" (241x33x30mm)	9.5" x 1.75" x 1.2" (241 x 44 x 30mm)

EXTERNAL DRIVER & LED TUBE COMBINATION

Product	Model	Color Temp. (ANSI)	98261 24T5HODRIVER/2CH				98262 24T5HODRIVER/4CH			
			1 Lamp		2 Lamps		3 Lamps		4 Lamps	
			System Power (W)	Typical Lumens (lm)	System Power (W)	Typical Lumens (lm)	System Power (W)	Typical Lumens (lm)	System Power (W)	Typical Lumens (lm)
98321	22T5HO/4F/830/EXT	3000K	26	3200	52	6400	78	9600	104	12,800
98322	22T5HO/4F/835/EXT	3500K	26	3200	52	6400	78	9600	104	12,800
98323	22T5HO/4F/840/EXT	4000K	26	3400	52	6800	78	10,200	104	13,600
98324	22T5HO/4F/850/EXT	5000K	26	3400	52	6800	78	10,200	104	13,600

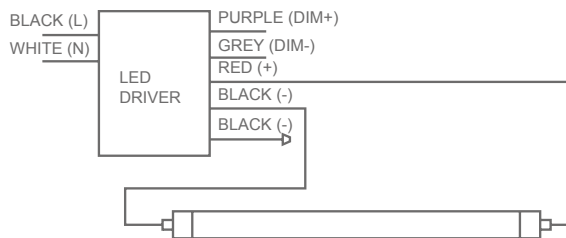
Ref.#: DS302 - T5HO-22W-4FT-EXT-060818

EXTERNAL DRIVER INSTALLATION

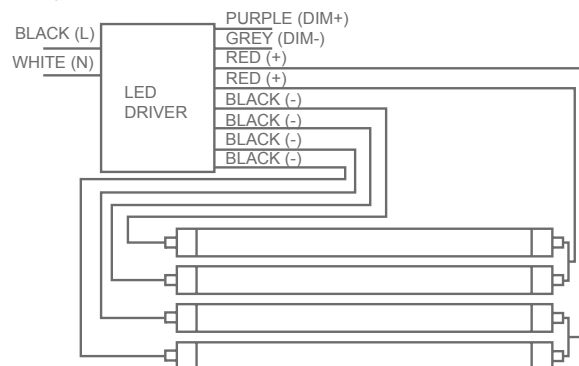
Double-ended Installation

- For shunted & non-shunted lamp holders
- Not polarity sensitive, lamps can be wired at either end

1 Lamp



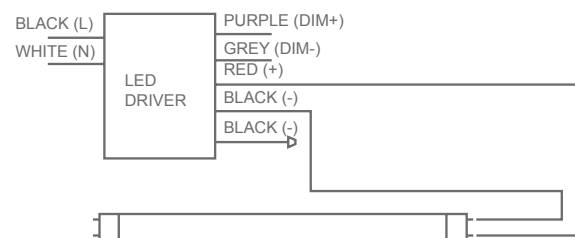
4 Lamps



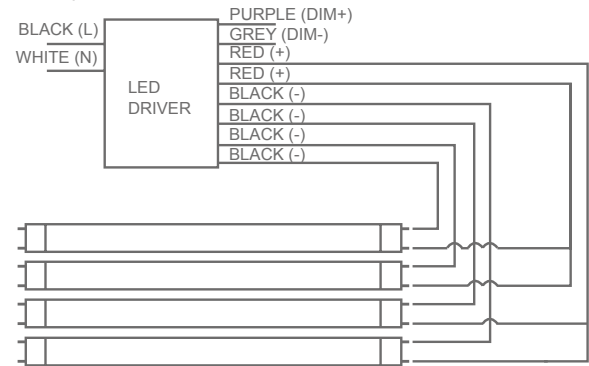
Single-ended Installation

- For non-shunted lamp holders only
- Not polarity sensitive, lamps can be wired at either end

1 Lamp



4 Lamps



* Suitable for use in totally enclosed fixtures

** Suitable for damp locations. Not for use where directly exposed to the weather or water

*** Full installation guide and more details available on website