

T8 14W 4FT. EXT TITANIUM LED SERIES



PRO



EXTERNAL DRIVER

14W REPLACES



32W
Fluo.

60% Energy Savings

- Compatible with GREEN CREATIVE external drivers only
- Suitable for use with shunted & non-shunted lamp holders
- Exceptional efficacy 146 LPW
- Suitable for use in totally enclosed fixtures
- Frosted glass design - Meets NSF requirements
- 0-10V dimming



50,000 H



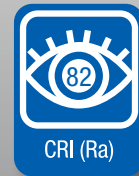
DIMMABLE



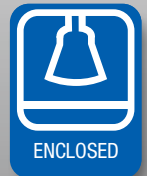
UNIVERSAL



WARRANTY



CRI (Ra)



ENCLOSED



TUBE FEATURES

External Driver - 1-2 & 3-4 Lamp Versions



These lamps are designed for use with GREEN CREATIVE external drivers only. These 0-10V dimmable drivers are available in 1-2 lamp and 3-4 lamp versions and are compatible with GREEN CREATIVE T8 4', 3' and 2' EXT lamps.

Extra Wide Beam Design - Frosted Glass Body

This lamp uses an innovative glass design that diffuses heat and light more evenly. As a result of its compact light engine, this lamp produces a light emitting area of 310°. This wider beam angle improves a fixture's total light distribution and creates a more complete lighting effect.



Lamp Front View



Lamp Back View

SPECIFICATIONS

Product Model	98335 14T8/4F/840/EXT	98336 14T8/4F/850/EXT
Type	T8	T8
Base	Medium Bi-Pin G13	Medium Bi-Pin G13
Lamp Power (W)	14	14
System Power (W)	16	16
Voltage - Frequency	120-277V 50-60Hz	120-277V 50-60Hz
Color Temp. (ANSI)	Cool White 4000K	Daylight 5000K
CRI (Ra)	82	82
Typical lumens (lm)	2050	2050
Efficacy (LPW)	146	146
System Efficacy (LPW)	128	128
Light Emitting Area	310°	310°
Beam Angle	160°	160°
Dimmable	Yes	Yes
Power Factor	0.9	0.9
THD	<20%	<20%
Rated Lifetime - L70 (hrs.)	50,000	50,000
Temperature Rating	-4°F / -20°C - 95°F / 35°C	-4°F / -20°C - 95°F / 35°C
Dia. x MOL	1.14" x 47.76" (29 x 1213mm)	1.14" x 47.76" (29 x 1213mm)
Weight (lb. / g)	0.49lb. / 222g	0.49lb. / 222g

EXTERNAL DRIVER SPECIFICATIONS

Product Model	98259 15T8T5HEDRIVER/2CH	98260 15T8T5HEDRIVER/4CH
Number of lamps	1-2	3-4
Input Voltage - Frequency	120-277V 50-60Hz	120-277V 50-60Hz
Max. Input Current (A)	0.31	0.64
Max. Input Power (W)	37	75
Output Voltage (V)	DC 30-50	DC 30-50
Output Current (A)	0.3 * 2	0.3 * 4
Dimmability	0-10V	0-10V
Temperature Rating	-4°F / -20°C - 95°F / 35°C	-4°F / -20°C - 95°F / 35°C
Max Case Temperature	185°F / 85°C	185°F / 85°C
Case Dimension (LxWxH)	9.5"x1.3"x1.2" (241x33x30mm)	9.5"x1.3"x1.2" (241x33x30mm)

EXTERNAL DRIVER & LED TUBE COMBINATION

Product	Model	Color Temp. (ANSI)	98259 15T8T5HEDRIVER/2CH				98260 15T8T5HEDRIVER/4CH			
			1 Lamp		2 Lamps		3 Lamps		4 Lamps	
			System Power (W)	Typical Lumens (lm)	System Power (W)	Typical Lumens (lm)	System Power (W)	Typical Lumens (lm)	System Power (W)	Typical Lumens (lm)
98335	14T8/4F/840/EXT	4000K	16	2050	32	4100	48	6150	64	8200
98336	14T8/4F/850/EXT	5000K	16	2050	32	4100	48	6150	64	8200

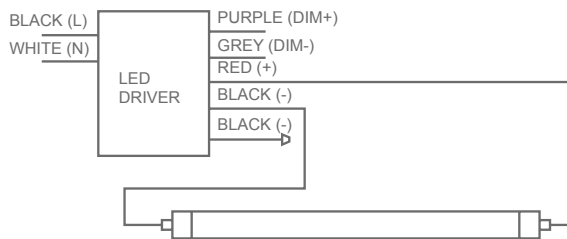
Ref.#: DS287-T8-14W-4FT-EXT-250618

EXTERNAL DRIVER INSTALLATION

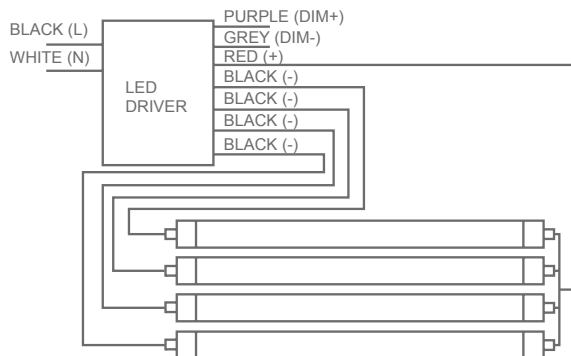
Double-ended Installation

- For shunted & non-shunted lamp holders
- Not polarity sensitive, lamps can be wired at either end

1 Lamp



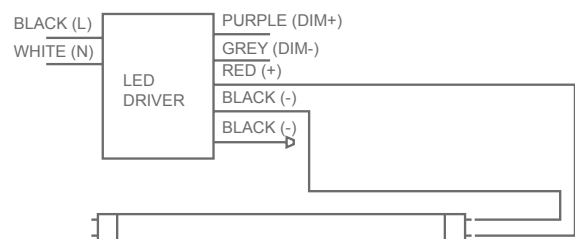
4 Lamps



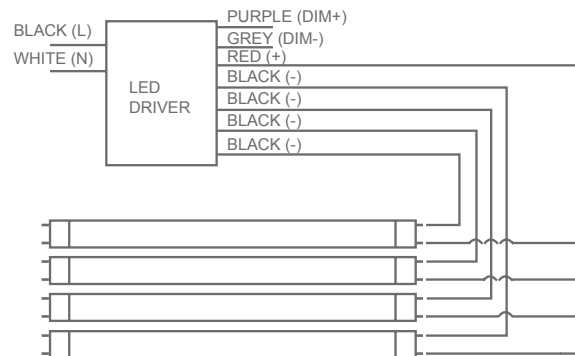
Single-ended Installation

- For non-shunted lamp holders only
- Not polarity sensitive, lamps can be wired at either end

1 Lamp



4 Lamps



* Suitable for use in totally enclosed fixtures

** Suitable for damp locations. Not for use where directly exposed to the weather or water

*** Full installation guide and more details available on website