

# T5 11W HE 3FT. EXT TITANIUM LED SERIES



PRO



EXTERNAL DRIVER

11W REPLACES



21W  
Fluo.

60% Energy Savings

- Compatible with GREEN CREATIVE external drivers only
- Suitable for use with shunted & non-shunted lamp holders
- Exceptional efficacy 136 LPW
- Suitable for use in totally enclosed fixtures
- Durable plastic construction - Meets NSF requirements
- 0-10V dimming



50,000 H



DIMMABLE



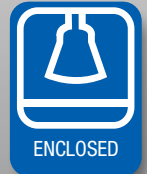
UNIVERSAL



WARRANTY



82



ENCLOSED



## TUBE FEATURES

External Driver - 1-2 & 3-4 Lamp Versions



These lamps are designed for use with GREEN CREATIVE external drivers only. These 0-10V dimmable drivers are available in 1-2 lamp and 3-4 lamp versions and are compatible with GREEN CREATIVE T5 4', 3' and 2' EXT lamps.

Suitable for All T5 Application



# T5 11W HE 3FT. EXT TITANIUM LED SERIES



## SPECIFICATIONS

Product Model	98309 11T5HE/3F/830/EXT	98310 11T5HE/3F/835/EXT	98311 11T5HE/3F/840/EXT
Type	T5	T5	T5
Base	Mini Bi-Pin G5	Mini Bi-Pin G5	Mini Bi-Pin G5
Lamp Power (W)	11	11	11
System Power (W)	13	13	13
Voltage - Frequency	120-277V 50-60Hz	120-277V 50-60Hz	120-277V 50-60Hz
Color Temp. (ANSI)	Warm White 3000K	Neutral White 3500K	Cool White 4000K
CRI (Ra)	82	82	82
Typical lumens (lm)	1350	1400	1500
Efficacy (LPW)	123	127	136
System Efficacy (LPW)	104	108	115
Light Emitting Area	270°	270°	270°
Beam Angle	120°	120°	120°
Dimmable	Yes	Yes	Yes
Power Factor	0.9	0.9	0.9
THD	<20%	<20%	<20%
Rated Lifetime - L70 (hrs.)	50,000	50,000	50,000
Temperature Rating	-4°F / -20°C - 95°F / 35°C	-4°F / -20°C - 95°F / 35°C	-4°F / -20°C - 95°F / 35°C
Dia. x MOL	0.67" x 34" (17 x 864mm)	0.67" x 34" (17 x 864mm)	0.67" x 34" (17 x 864mm)
Weight (lb. / g)	0.26lb. / 118g	0.26lb. / 118g	0.26lb. / 118g

## EXTERNAL DRIVER SPECIFICATIONS

Product Model	98259 15T8T5HEDRIVER/2CH	98260 15T8T5HEDRIVER/4CH
Number of lamps	1-2	3-4
Input Voltage - Frequency	120-277V 50-60Hz	120-277V 50-60Hz
Max. Input Current (A)	0.31	0.64
Max. Input Power (W)	37	75
Output Voltage (V)	DC 30-50	DC 30-50
Output Current (A)	0.3 * 2	0.3 * 4
Dimmability	0-10V	0-10V
Temperature Rating	-4°F / -20°C - 95°F / 35°C	-4°F / -20°C - 95°F / 35°C
Max Case Temperature	185°F / 85°C	185°F / 85°C
Case Dimension (LxWxH)	9.5"x1.3"x1.2" (241x33x30mm)	9.5"x1.3"x1.2" (241x33x30mm)

### EXTERNAL DRIVER & LED TUBE COMBINATION

Product	Model	Color Temp. (ANSI)	98259 15T8T5HEDRIVER/2CH				98260 15T8T5HEDRIVER/4CH			
			1 Lamp		2 Lamps		3 Lamps		4 Lamps	
			System Power (W)	Typical Lumens (lm)	System Power (W)	Typical Lumens (lm)	System Power (W)	Typical Lumens (lm)	System Power (W)	Typical Lumens (lm)
98309	11T5HE/3F/830/EXT	3000K	13	1350	26	2700	39	4050	52	5400
98310	11T5HE/3F/835/EXT	3500K	13	1400	26	2800	39	4200	52	5600
98311	11T5HE/3F/840/EXT	4000K	13	1500	26	3000	39	4500	52	6000

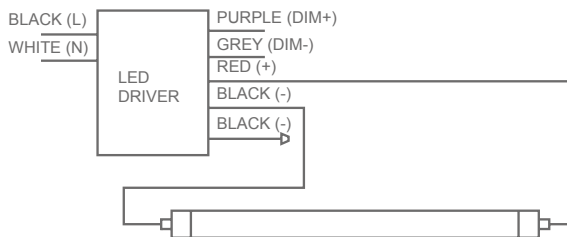
Ref.#: DSS05 - T5HE-11W-3FT-EXT-250618

### EXTERNAL DRIVER INSTALLATION

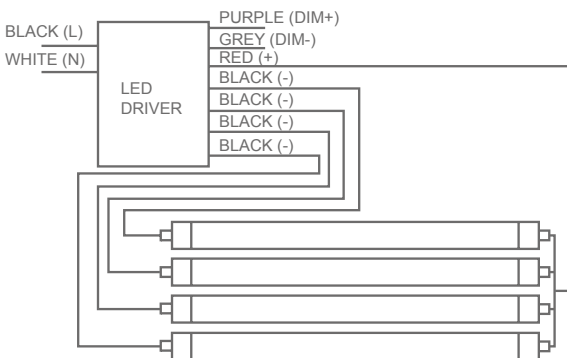
#### Double-ended Installation

- For shunted & non-shunted lamp holders
- Not polarity sensitive, lamps can be wired at either end

#### 1 Lamp



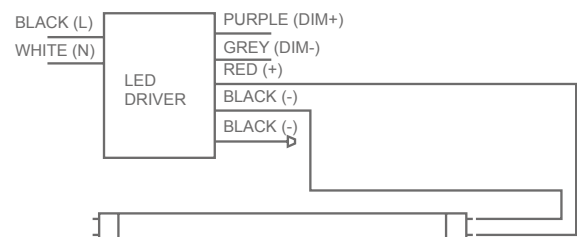
#### 4 Lamps



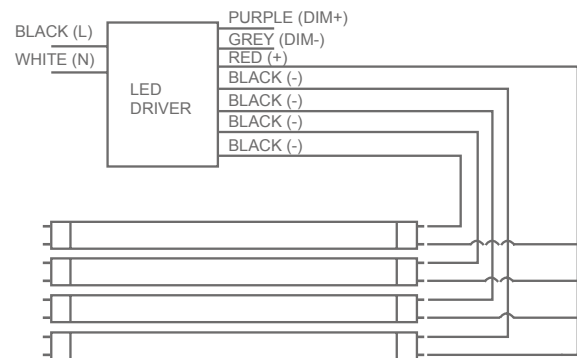
#### Single-ended Installation

- For non-shunted lamp holders only
- Not polarity sensitive, lamps can be wired at either end

#### 1 Lamp



#### 4 Lamps



\* Suitable for use in totally enclosed fixtures

\*\* Suitable for damp locations. Not for use where directly exposed to the weather or water

\*\*\* Full installation guide and more details available on website